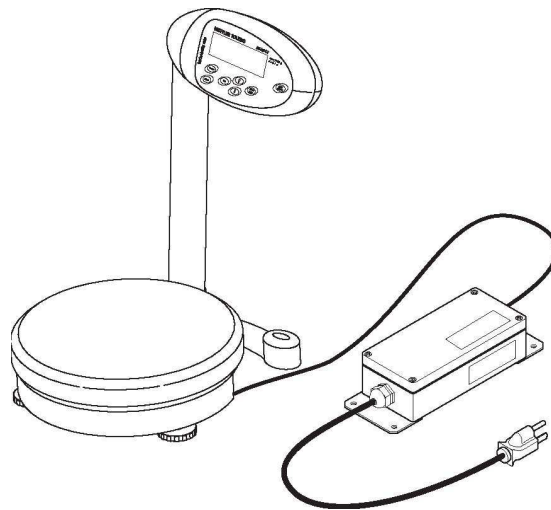


METTLER TOLEDO

Installation and Maintenance instructions

METTLER TOLEDO

BBA242x Paint Mixing Scales with Panda-EX1P Power Supply Unit



Contents

1	Documentation for the BBA242x Paint Mixing Scale with Panda-EX1P Power Supply Unit ...	1
2	Application range	1
3	Cautionary notes regarding installation	1
4	Installation on the scale	2
	4.1 Attaching power cable to the scale.....	2
	4.2 Ensuring admissibility of the peripheral unit.....	2
	4.3 Attaching peripheral unit	2
5	Installation of the Panda-EX1P Power Supply Unit.....	3
	5.1 Installation in the safe area.....	3
	5.2 Installation in the hazardous area of zone 2	4
6	Operation and maintenance	5
	6.1 Safety measures during operation.....	5
	6.2 Control.....	5
	6.3 Cleaning	5
7	Directives and test standards	5
8	Technical data.....	6
9	FCC and Canadian EMC reglementation.....	7

1 Documentation for the BBA242x Paint Mixing Scale with Panda-EX1P Power Supply Unit

The BBA242x Paint Mixing Scale with the Panda-EX1P Power Supply Unit is accompanied by the following documentation:

- Installation and maintenance instructions
- Operating instructions

These installation and maintenance instructions apply to all scales with a type designation containing the letters BBA242x. The individual model designations may also include numbers detailing the weighing range and additional letters which indicate special versions.

These instructions contain information for the installation and start-up of the scale and the power supply unit, as well as all requirements necessary for safe operation of the system. You will find all information on the weighing applications and the interface operation in the operating instructions.

2 Application range

The BBA242x Paint Mixing Scales are approved for use in a hazardous area classified as zone 1 or zone 2, gas group IIB and temperature class T4. Then, they are FMRC and CSA approved to the classification: Class 1, Division 1, Group CD.

The Panda-EX1P Power Supply Unit must be installed in the safe area. If local installation regulations permit, the power supply unit may also be installed in zone 2. Installation in US Division 2 is not approved.

The RS232 interface built in the scale is intrinsically safe.

The only peripherals which may be attached are those fitted with an interface having the same limiting values and approved as intrinsically safe, see section "Technical data".

3 Cautionary notes regarding installation

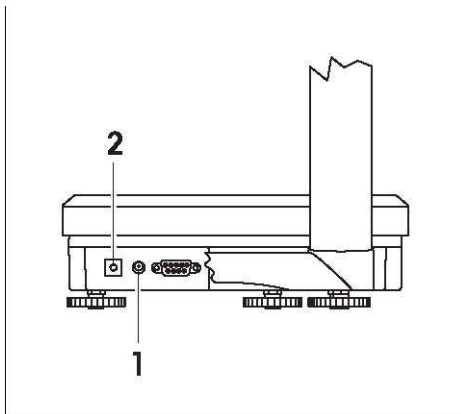


- ▲ Perform the installation only as described in these instructions and in the appropriate control drawing.
 - ▲ It is essential to comply with national regulations regarding grounding and connection to the power supply.
-
- ▲ No changes whatsoever may be made to the scale or the power supply unit.
 - ▲ Service work and repairs must be carried out only by personnel authorized by METTLER TOLEDO.
 - ▲ Check that the scale and power supply unit are in perfect condition with regard to safety before putting into operation for the first time and at least after every 3 years of service.

4 Installation on the scale

- ▲ In all installation work, refer to the appropriate control drawing:
 - Installation drawing 72227513
 - Installation drawing for US 72227512
 - Installation drawing for Canada 72227511

Attaching power cable to the scale



- Turn the scale on its side so that the connection socket (1) on the bottom is accessible.
- Route the blue cable from the Panda -EX1P Power Supply Unit to the scale and plug connector into the scale.
- Use a grounding cable (cross-section $\geq 1 \text{ mm}^2$) to connect the grounding screw (2) to the nearest connection of the grounding system of the building electrical installation.
- Turn the scale back to the proper position.

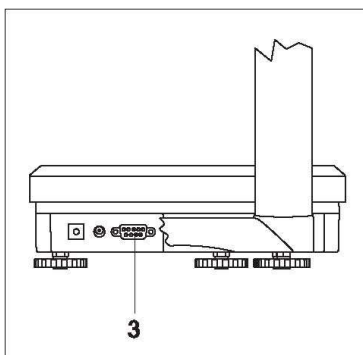
Ensuring admissibility of the peripheral unit

If a peripheral unit needs to be connected, its RS232 interface must also be intrinsically safe and approved to maintain the intrinsic safety.

- Ensure that the electrical limiting values of the peripheral match the limiting values printed on the scale next to the socket.

If this is not the case, install an approved barrier.

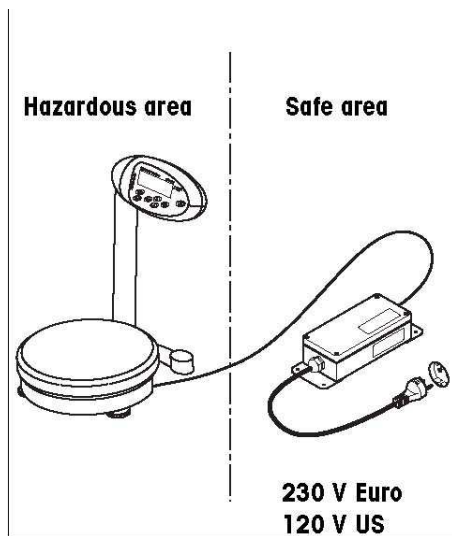
Attaching peripheral unit



- Connect the cable from the peripheral device to the 9-pin I/O socket (3) of the scale. Fix all connectors by tightening screws.

5 Installation of the Panda-EX1P Power Supply Unit

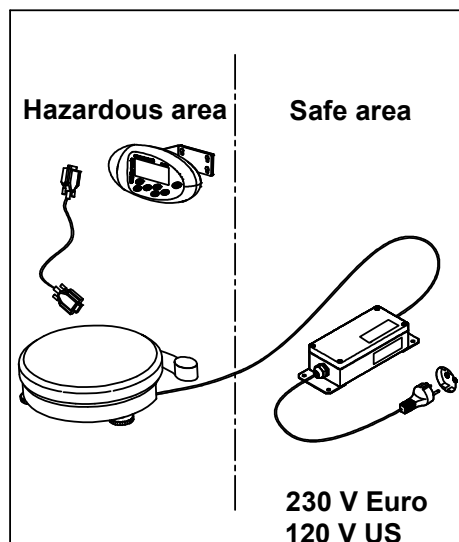
Installation in the safe area



- Install the power supply in the safe area near a wall socket.
If required, the power supply unit can be permanently fixed by using the mounting plates and the 4 screws.
- Route the power line cable and the cable to the scale so that they are protected against damage. Cables must not be kinked or bent at sharp angles.
- Plug the power plug into the wall socket of the building electrical installation.

Note: The type 71147341 of the Panda-EX1P/230V is delivered without plug. Fit a 3-pole plug to the cable observing the lead colors:

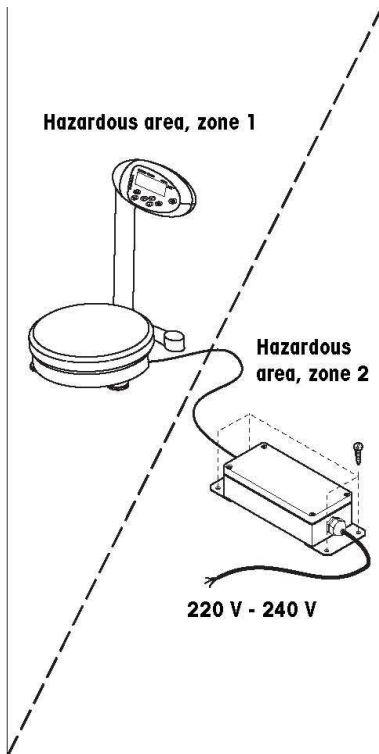
yellow/green lead	ground
brown lead	phase
blue lead	neutral



As neither the power supply unit nor the scale have an on/off switch, the power plug serves as a power disconnecting device.

The scale is ready for operation as soon as the power plug is plugged in.

**Installation in the hazardous area of zone 2
(only Panda-EX1P/230V)**



If the power supply unit is installed in zone 2, the power cable must be attached to the screw terminals of the building electrical installation.

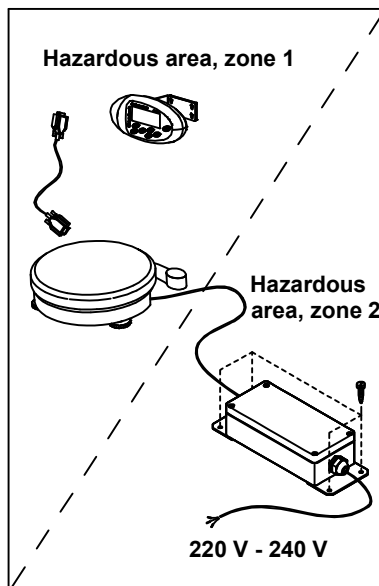
Requirement

An all-pole power disconnecting device must be installed on the supply side of the screw terminals of the building electrical installation.

Procedure

- Permanently install the power supply unit using the mounting plates and 4 screws to the building electrical installation near a connection device.
- Route the power line cable and the cable to the scale so that they are protected against damage. Cables must not be kinked or bent at sharp angles
- Attach power cable to the screw terminals of the building electrical installation as follows:

Yellow/green lead	ground
Brown lead	phase
Blue lead	neutral
- Switch on the power. The scale is ready for use.



6 Operation and maintenance

Safety measures during operation

- ▲ Power supply unit and scale may be operated only when the housing is closed.
- ▲ **Warning: Because of the danger of static discharge, a protective cover may only be used if it is statically uncritical.**

Control

- Inspect the cables, connectors and accessories at regular intervals. Ensure they are free from cracks and other mechanical or chemical damage. If such damage is found, inform METTLER TOLEDO service.

Cleaning

- ▲ When cleaning the scale, ensure that the terminal and particularly the membrane keypad are not damaged.
- ▲ **Warning: Avoid extensive dry rubbing on the scale parts since this may cause static discharges.**

7 Directives and test standards

Since the Panda-EX1P power supply is always used on scale BBA242x, the list of directives and standards is contained in the operating instructions of the scale.

8 Technical data

Panda-EX1P Power Supply Unit

Classification 230 V type	ATEX II (2) G [EEx ib] II B ATEX II 3 (2)G EEx nA [ib] IIB T4
Mains input	230 V, 50 Hz, 60 mA; Um= 250 V
Safety output	U _o : 14.3 V, I _o : 2.28 A, P _o : 4.2 W, C _o : 2.28 uF, L _o /R _o : 17.5 □H/Ω
Classification 120 V type	Associated Int. Safe, output Class I, Div 1 / GP C,D
Mains input	120 V, 60 Hz, 120 mA; Um= 250 V
Safety output	U _o : 14.3 V, I _o : 2.28 A, P _o : 4.2 W, C _o : 2.28 uF, L _o /R _o : 17.5 H/Ω
Dimensions (w x d x h)	235 x 80 x 60 mm
Hole distance	214 x 62 mm (center of mounting holes)
Weight	1.43 kg
Degree of enclosure protection	IP 65
Ambient temperature	0 to 40 °C
Notice: Panda-EX1P power supply unit can be replaced by any power supply unit which have intrinsic safety parameters: U _o : 14.3 V, I _o : 2.28 A, P _o : 4.2 W, C _o : 3.3 nF, L _o : 0	

BBA242x Intrinsically safe data interface

Connection socket	9-pin socket D-subminiature, female	
Pin assignment	Pin	Assignment
	Pin 2	TXD (inverted)
	Pin 3	RXD (inverted)
	Pin 5	GND (0V, connected to housing ground)
	Pins 1, 4, 6, 7, 8, 9	not connected
Nominal rating	min. ±5 V at 3 kΩ max. ±11 V at 300 Ω source resistance	
Values for intrinsic safety	U _o = 11.6 V; I _o = 56.8 mA; P _o = 165 mW; C _o = 2.11 uF; L _o = 15 mH U _i = ±11 V; I _i = 28 mA; P _i = 148 mW; C _i = 1.3 nF; L _i = 0	
Enclosure Protection	IP4X , Warning : Indoor use. Don't expose to rain.	

Note: Use a grounding cable (cross-section ≥ 1 mm²) to connect the grounding screw of the BBA242x to the nearest connection of the grounding system of the building electrical installation.

9 FCC and Canadian EMC reglementation

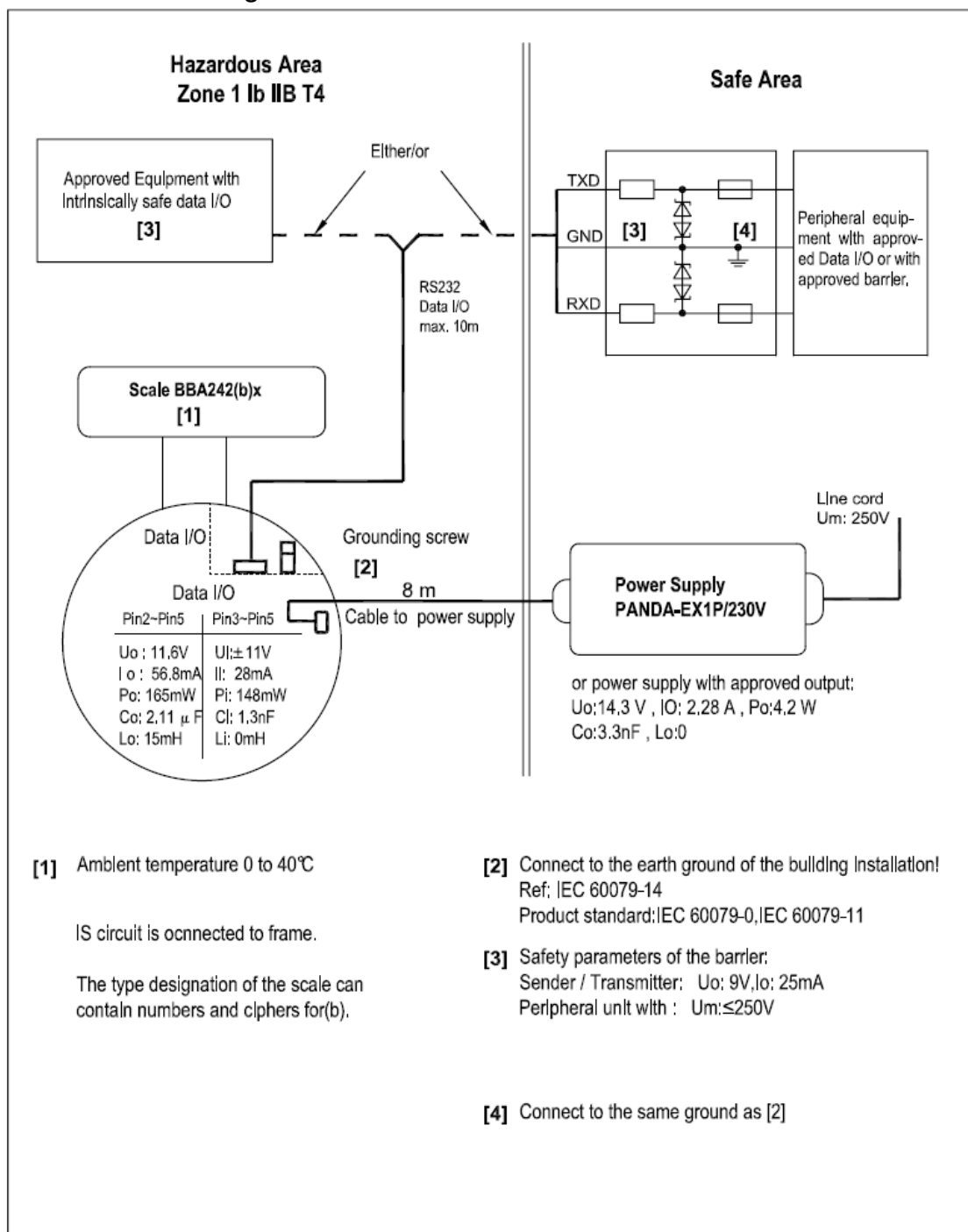
This equipment has been tested and found to comply with the limits for a Class A digital device, pursuant to both Part 15 of the FCC Rules and the radio interference regulations of the Canadian Department of Communications. These limits are designed to provide reasonable protection against harmful interference when the equipment is operated in a commercial environment. This equipment generates, uses and can radiate radio frequency energy and, if not installed and used in accordance with the instruction manual, may cause harmful interference to radio communications. Operation of this equipment in a residential area is likely to cause harmful interference, in which case the user will be required to correct the interference at his own expense.

ICES-001 Notice for Industrial, Scientific and Medical Radio Frequency Generators: This ISM apparatus meets all requirements of the Canadian Interference-Causing Equipment Regulations.

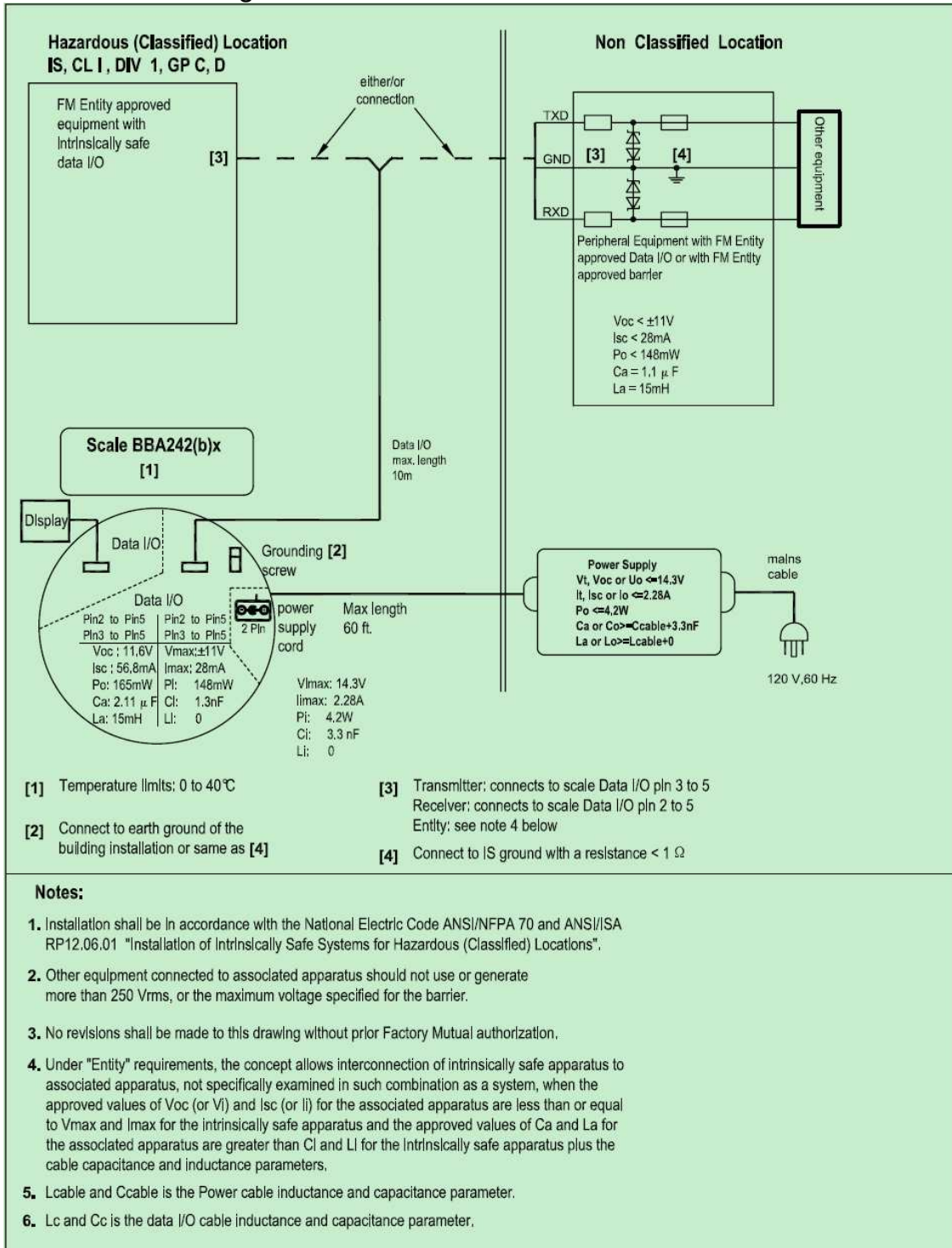
Please note that this requirement is only for generators which operate at over 10 000 Hz.

Avis de l'ICES-001, générateurs de radiofréquences dans le domaine industriel, scientifique et médical: Cet appareil ISM (industriel, scientifique et médical) satisfait à toutes les exigences définies par la réglementation canadienne en matière d'équipements générant des perturbations radioélectriques. Veuillez noter qu'il s'agit d'une exigence concernant uniquement les générateurs fonctionnant au-delà de 10 000 Hz.

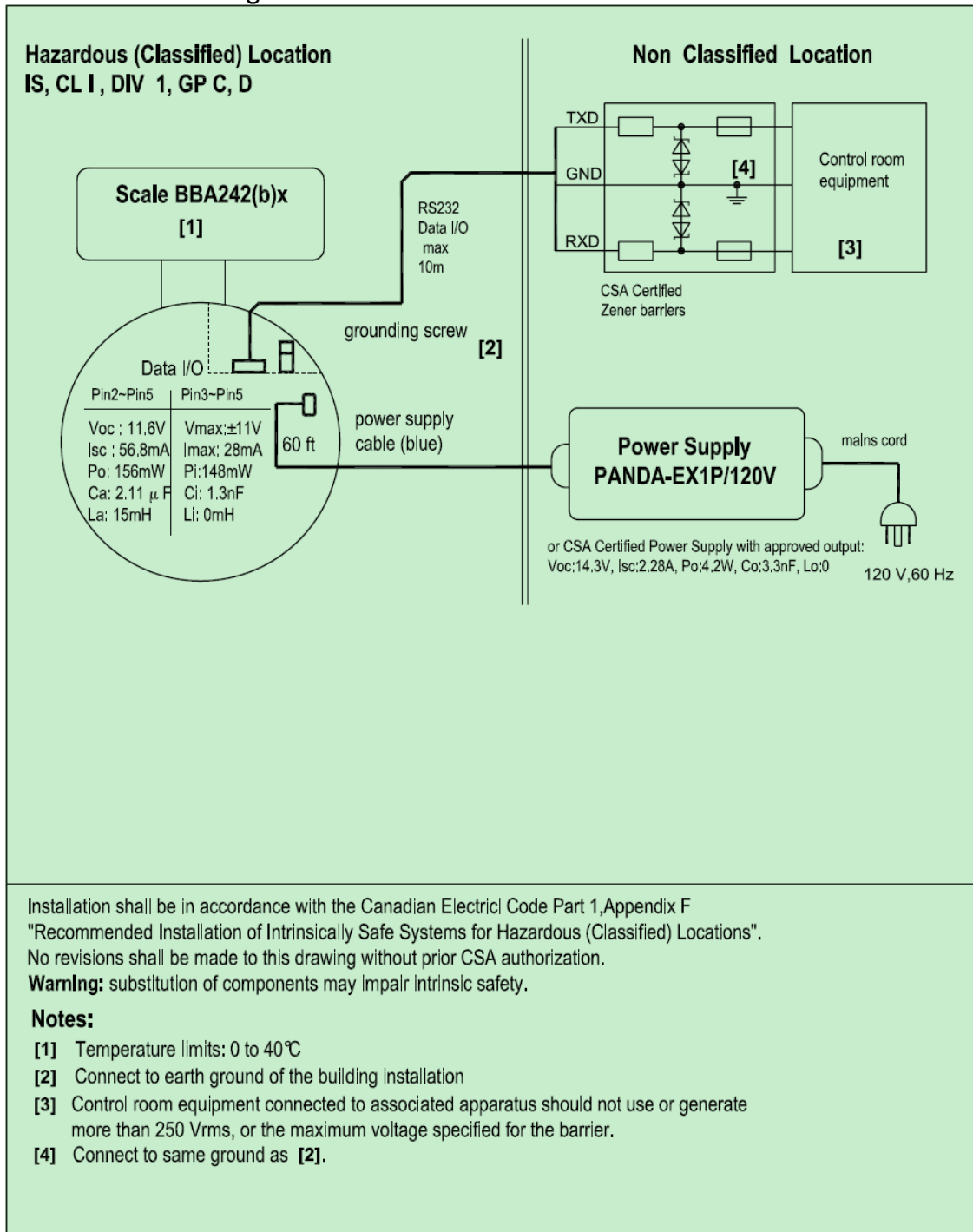
Installation Drawing 72227513A



Installation Drawing 72227512A



Installation Drawing 72227511A



**To protect your METTLER TOLEDO product's future:
METTLER TOLEDO service assures the quality, measuring accuracy and
preservation of value of all METTLER TOLEDO products for years to come.
Please send for full details about our attractive terms of service. Thank you.**

72227281

Subject to technical changes and to the availability
of the accessories supplied with the instruments.
Technische Änderungen und Änderungen im
Lieferumfang des Zubehörs vorbehalten

© Mettler-Toledo(Changzhou)

72227281 Printed in China

AT **Mettler-Toledo Ges.m.b.H., A-1100 Wien**, Tel. (01) 604 19 80, Fax (01) 604 28 80
AU **Mettler-Toledo Ltd., Port Melbourne, Victoria 3207**, Tel. (03) 9644 5700, Fax (03) 9645 3935
BE **n.v. Mettler-Toledo s.a., B-1932 Zaventem**, Tel. (02) 334 02 11, Fax (02) 378 16 65
BR **Mettler-Toledo Indústria e Comércio Ltda., São Paulo, CEP 06465-130**, Tel. (11) 421 5737, Fax (11) 725 1962
CH **Mettler-Toledo (Schweiz) AG, CH-8606 Greifensee**, Tel. (01) 944 45 45, Fax (01) 944 45 10
CN **Mettler-Toledo Changzhou Scale Ltd., Changzhou City, Jiangsu 213001**, Tel. (519) 664 20 40, Fax (519) 664 19 91
CZ **Mettler-Toledo, s.r.o., CZ-100 00 Praha 10**, Tel. (2) 72 123 150, Fax (2) 72 123 170
DE **Mettler-Toledo GmbH, D-35353 Giessen**, Tel. (0641) 50 70, Fax (0641) 52 951
DK **Mettler-Toledo A/S, DK-2600 Glostrup**, Tel. (43) 27 08 00, Fax (43) 27 08 28
ES **Mettler-Toledo S.A.E., E-08038 Barcelona**, Tel. (93) 223 76 00, Fax (93) 223 02 71
FR **Mettler-Toledo s.a., F-78222 Viroflay**, Tél. (01) 309 717 17, Fax (01) 309 716 16
HK **Mettler-Toledo (HK) Ltd., Kowloon HK**, Tel. (852) 2744 1221, Fax (852) 2744 6878
HR **Mettler-Toledo, d.o.o., CR-10000 Zagreb**, Tel. (1) 29 20 633, Fax (1) 29 58 140
HU **Mettler-Toledo Kft, H-1173 Budapest**, Tel. (1) 257 9889, Fax (1) 257 7030
IN **Mettler-Toledo India Pvt Ltd, Mumbai 400 072**, Tel. (22) 857 08 08, Fax (22) 857 50 71
IT **Mettler-Toledo S.p.A., I-20026 Novate Milanese**, Tel. (02) 333 321, Fax (02) 356 29 73
JP **Mettler-Toledo K.K., Shiomi, J-Osaka 540**, Tel. (6) 949 5901, Fax (6) 949 5945
KR **Mettler-Toledo (Korea) Ltd., Seoul (135-090)**, Tel. (82) 2 518 20 04, Fax (82) 2 518 08 13
MY **Mettler-Toledo (M) Sdn.Bhd., 40100 Shah Alam**, Tel. (603) 7845 5773, Fax (603) 7845 8773
MX **Mettler-Toledo S.A. de C.V., Mexico CP 06430**, Tel. (5) 547 5700, Fax (5) 541 2228
NL **Mettler-Toledo B.V., NL-4000 HA Tiel**, Tel. (0344) 638 363, Fax (0344) 638 390
NO **Mettler-Toledo A/S, N-1008 Oslo**, Tel. (22) 30 44 90, Fax (22) 32 70 02
PL **Mettler-Toledo, Sp. z o.o., PL-02-929 Warszawa**, Tel. (22) 651 92 32, Fax (22) 651 71 72
RU **Mettler-Toledo AG, 10 1000 Moskau**, Tel. (095) 921 68 12, Fax (095) 921 63 53
SE **Mettler-Toledo AB, S-12008 Stockholm**, Tel. (08) 702 50 00, Fax (08) 642 45 62
SEA **Mettler-Toledo (SEA), 40100 Shah Alam**, Tel. (603) 7845 5373, Fax (603) 7845 3478
SG **Mettler-Toledo (S) Pte. Ltd., Singapore 139959**, Tel. (656) 890 0011, Fax (656) 890 0012
SK **Mettler-Toledo, service s.r.o., SK-83103 Bratislava**, Tel. (7) 525 2170, Fax (7) 525 2173
SI **Mettler-Toledo, d.o.o., SI-1236 Trzin**, Tel. (016) 162 18 01, Fax (061) 162 17 89
TH **Mettler-Toledo (Thailand), Bangkok 10310**, Tel. (662) 723 0300, Fax (662) 719 6479
TW **Mettler-Toledo Pac Rim AG, Taipei**, Tel. (886) 2 2579 5955, Fax (886) 2 2579 5977
UK **Mettler-Toledo Ltd., Leicester, LE4 1AW**, Tel. (0116) 235 0888, Fax (0116) 236 5500
US **Mettler-Toledo, Inc., Columbus, Ohio 43240**, Tel. (614) 438 4511, Fax (614) 438 4900

For all other countries: **Mettler-Toledo GmbH, PO Box VI-400, CH-8606 Greifensee**, Tel. (01) 944 22 11, Fax (01) 944 31 70