

Mobile, Flexible and Accurate BTA439e



Welcome to Mobile Weighing

The BTA439e pallet truck scale is the entry model of the METTLER TOLEDO range of mobile weighing systems. A pallet truck with an integrated scale allows you to weigh everywhere in your warehouse or production facilities.



Lift Pallets, Weigh Pallets

Every pallet lifted by the pallet truck is instantly and accurately weighed. The BTA439e is the solution for checking weights a few times a day, e.g. at goods reception or when filling out transport documents.



Continuous Operation

Thanks to the rechargeable and exchangeable battery you can work without interruptions. An extra battery pack comes as standard with the BTA439e.



Mobile Weighing = Cost Saving

The BTA439e is designed for basic industrial use. The weighing system is powered by an exchangeable and rechargeable battery pack. This integrated power supply enables you to weigh anywhere the pallet truck goes.

Mobile weighing means cost saving. By using a pallet truck scale you can work more efficient. Weigh pallets, containers etc. during movement in your warehouse, saving the space of a floor scale and the time of handling.

The BTA439e offers:

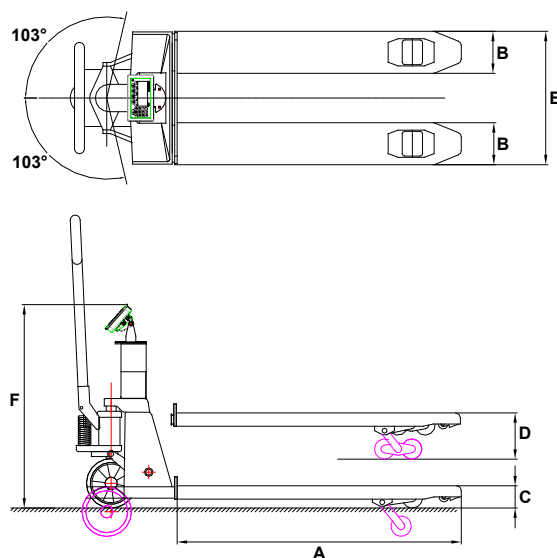
- 1500 kg or 2000 kg capacity
- A large display with 22 mm high weight readout
- IP65 protection class
- Battery status in the display
- An extra battery pack as standard
- Attractively priced

Technical Data

BTA439e

Weighing System

- 1500 kg capacity, or 2000 kg capacity
- 4 pcs of 1,000 kg loadcells
- ICS439 terminal, for mobile use
- Robust pallet truck chassis
- System protection class IP65
- 2 pcs of 12Vdc/1.2Ah rechargeable and exchangeable battery packs, battery charger included



Technical drawing

Specifications

Model	BTA439-RE1500	BTA439-RE2000
Terminal type	ICS439	ICS439
Capacity (kg)	600 / 1500	1000 / 2000
Graduation, multirange (kg)	0,2 / 0,5	0,5 / 1
Max. inaccuracy	0.1% of the load lifted	0.1% of the load lifted
Minimum load (kg)	4	10
Battery capacity	1,2 Ah	1,2 Ah
Battery life, continuous use	5 hours	5 hours
Automatic switch-off when not used	After 15 minutes	After 15 minutes
Charging time	6 hours	6 hours
Charger + 2 nd battery pack	Included	Included
Steering wheels	Rubber	Rubber
Loading wheels	Polyurethane, tandem	Polyurethane, tandem
Scale material	Steel	Steel
Colour	Blue (RAL 5003), epoxy painted	Blue (RAL 5003), epoxy painted
Protection class	System IP65, load cells and terminal IP67	System IP65, load cells and terminal IP67
Dimensions in mm		
A Fork length	1150	1150
B Fork width	180	180
C Lowered fork height	90	90
D Maximum fork height	210	210
E Width over forks	555	555
F Height to top indicator	800	800



Mettler-Toledo AG

CH-8606 Greifensee
Switzerland
Phone +41 44 944 22 11
Fax +41 44 944 30 60

Subject to technical changes
© 11/2012 RAVAS Europe BV & Mettler-Toledo AG, Switzerland
Printed in the Netherlands
ts-lff-mt-lff-print-bta439e-en-eu-20121107

www.mt.com

For more information