

# ICS685rem Scales

## Connect to FreeWeigh.Net® for Enhanced Productivity



### Optimized for productivity

ICS685rem has been optimized for connection to FreeWeigh.Net®. The ability to connect to this networked quality assurance system ensures critical quality control parameters are recorded and can be centrally managed for complete coverage of your production process.



### Remote compact balances

A robust and reliable solution

Many net-content monitoring applications require a robust, easy-to-operate scale that can be put into service quickly in tight spaces. ICS685rem has a built-in function which allows it to connect directly to the METTLER TOLEDO FreeWeigh.Net® quality control system. This easy, quick connection means sample data—including critical quality attributes—can be recorded without bringing a PC on the production floor for simplified, streamlined processing and significant time savings. Once statistical data has been recorded, it can be reviewed and analyzed immediately.



### Interface flexibility

The ICS685rem remote scale is equipped with one serial RS232 interface and one Ethernet interface. These standard connection capabilities help ensure optimum flexibility and usability. Additional interfaces are available as options.

e **FreeWeigh.Net®**

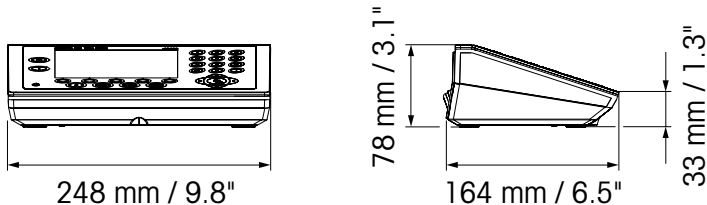
**METTLER TOLEDO**

## Technical Data ICS685rem



<b>Dimension &amp; Type</b>	248.5x164x78 mm / 9.78x6.46x3.71" Die-cast aluminium
<b>Display</b>	color TFT display (320 x 240 pixel)
<b>Character height</b>	Default layout mode = 20 mm, 3-line info mode = 15 mm
<b>Languages</b>	English, German, French, Italian, Spanish
<b>Keypad</b>	Tactile-touch membrane keypad (PET), scratch-resistant material
<b>Numeric keypad</b>	Alphanumeric keypad
<b>Weight</b>	2 kg
<b>Mains connection</b>	100 – 240 V / 50 – 60 Hz / 300 mA, Power cord approx. 2.5 m
<b>Optional battery</b>	12 V / 2.5 A 1 strain gauge weighing cell continuous operation ~ 15 h (less with installed options) Life time: 500 to 1000 charging/discharging cycles
<b>Temperature range</b>	Class III -10 – 40 °C / 14 – 104 °F Class II 10 – 30 °C / 50 – 86 °F
<b>Humidity</b>	Max. rel. humidity 85 % for temperatures up to 40 °C
<b>Data interfaces</b>	1 x Standard RS232, 1 x Standard Ethernet, 2 x Optional RS232
<b>Connectable platforms</b>	FreeWeigh.Net® supports 1 platform pro ICS
<b>Analog scale connection</b>	Impedance: $\geq 80 \Omega$ (means 1 x 350 $\Omega$ ; 4 x 350 $\Omega$ ), Excitation: 3.3 V, Sensitivity: 2 to 3 mV/V Max. Resolution: 7500e (OIML), 300 000d (non approvable), Min. verification interval: 0.5 $\mu\text{V/e}$
<b>Approvals</b>	The Weights & Measures data is shown on the display. The display indicates if the system is approved or not. Approvals are: OIML, NTEP, IP65, CE, CSA
<b>Accessories</b>	Cable with plugs for offered interfaces, Stand (height 330 mm), Wall bracket, Windshield, Cover for terminal, Battery charger, Power supply with 9-28V DC
<b>Special Features</b>	Equipped with remote firmware for FreeWeigh.Net® connectivity

## Terminal Dimensions



## Compact Scales

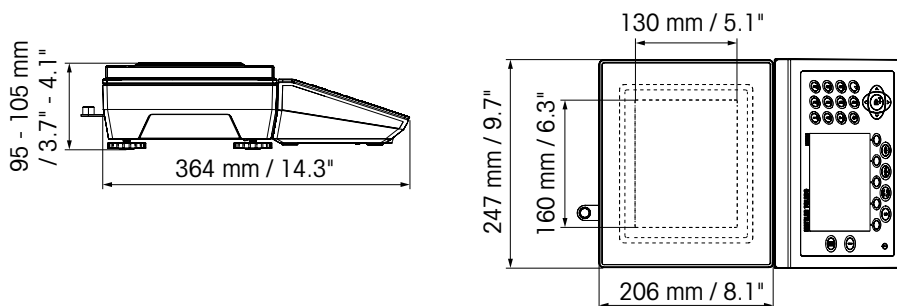
For highest precision: **MonoBloc®** technology

ICS685k-rem						
Model (Single Range)	0.6XS/f	3XS/f	6XS/f	6SM/f	15LA/f	35LA/f
Capacity [kg]	0.61	3.1	6.1	6.1	15.1	35.1
Standard readability [g]	0.001	0.01	0.01	0.1 or 0.2	0.1 or 0.5	0.1
Approved readability [g]	0.01	0.1	0.1	1 or 0.2	1 or 0.5	1
Model (Delta Range)	0.6XS / DR / f	3SX / DR / f	6XS / DR / f	6SM / DR / f	15LA / DR / f	35LA / DR / f
Capacity [kg]	0.12 / 0.61	0.6 / 3.1	1.2 / 6.1	1.2 / 6.1	3 / 15.1	7 / 35.1
Standard readability [g]	0.001 / 0.01	0.01 / 0.1	0.01 / 0.1	0.1 / 1	0.1 / 1	0.1 / 1
Approved readability [g]	0.01	0.1	0.1	1	1	1
Repeatability (sd) [g]	0.001	0.01	0.01	0.1	0.1	0.1
Housing size	Small	Small	Small	Small	Large	Large
Platform size [mm]	160x130	160x130	160x130	240x200	350x240	350x240
Ingress Protection: Standard/Optional	IP54 / -	IP54 / IP65	IP54 / IP65	IP54 / IP65	IP54 / IP65	IP54 / IP65

For best performance: **Strain gauge technology**

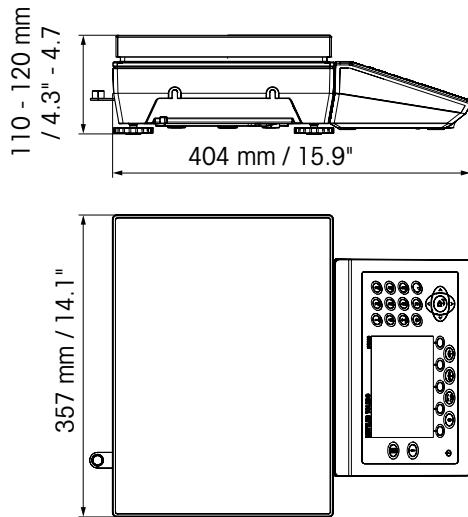
ICS685d-rem				
Model	3SM/f	6SM/f	15LA/f	35LA/f
Capacity [kg]	3	6	15	35
Standard readability [g]	0.5	1	2	5
Optional readability [g]	0.05	0.1	0.2	0.5
Approved readability [g]	0.5	1	2	5
Repeatability (sd) [g]	0.05	0.1	0.2	0.5
Housing size	Small	Small	Large	Large
Platform size [mm]	240x200	240x200	350x240	350x240
Ingress Protection: Standard/Optional	IP54 / IP65	IP54 / IP65	IP54 / IP65	IP54 / IP65

## Compact Scale with Small Platform

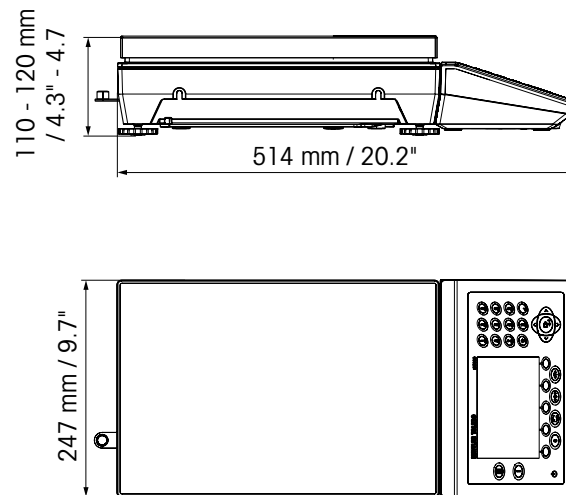


## Compact Scale with Large Platform

The terminal is tightly mounted with two screws (wrench size 10 mm) on the platform.

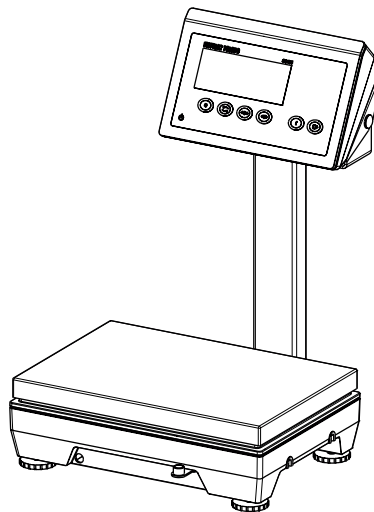


The terminal can be mounted on the longer and the shorter side of the platform or just placed next to the platform or mounted to the wall.



## Accessories

- Cable with plugs for the offered interfaces
- Column (height 330 mm)
- Wall bracket
- Windshield
- Printers (P25; P26)
- Cover for terminal
- Battery charger
- Auxiliary display
- Relay box
- Power supply with 9-28V DC



Model with accessory column (height: 330 mm)

## METTLER TOLEDO Service

### Mettler-Toledo AG

CH-8606 Greifensee  
Switzerland  
Phone +41 44 944 22 11  
Fax +41 44 944 30 60



ISO/IEC17025 Accredited  
Service Organizations  
Results, not promises.

[www.mi.com/ICS685rem](http://www.mi.com/ICS685rem)

For more information

Subject to technical changes  
© 12/2013 Mettler-Toledo AG  
Printed in Switzerland  
MarCom Industrial  
MTSI 44098596