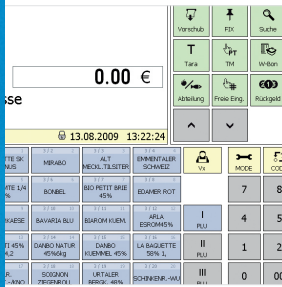


Versatile and high-performance Cash register for the service counter



User-friendly operation

Fast data entry, interactive menu guidance – and effortless to operate. Regardless of whether the task concerns maintenance of your product range or searching for items with the swift, yet precise touchscreen user interface, your employees can perform all their work at the touch of a button.



A customised sales approach

Regardless of whether it is a black and white or colour, permanently mounted or rotatable design with the options available, you are in the driving seat when it comes to adjusting the UC3-RTT-A cash register terminal in line with your specific business and sales requirements.



Sophisticated design

Due to its low overall height, the UC3-RTT-A cash register terminal, supplemented by the optional cash register drawer, fits perfectly into your UC3 working environment at the sales counter. The extremely practical design features a large storage area for work equipment such as scanners, books, pens and much more.



Modular concept

Interface for connection of an external weighing platform, numerous optional printer versions for printing tickets and labels: Discover the hidden talent of your UC3-RTT-A cash register terminal, for instance, as a high-performance cash register and weighing solution for your incoming goods.



UC3-RTT-A

Multifunctional cash register terminal

The multifunctional UC3-RTT-A cash register terminal provides your UC3 weighing solution with a high-performance cash register workstation at the service counter or in the cash register area.

Once you opt for the UC3-RTT-A cash register terminal, you will reap the benefits of a seamlessly integrated visual and functional enhancement to your UC3 weighing solution. Thanks to the open architecture as well as interfaces based on established PC standards, you can rely on the seamless integration of the cash register terminal into your materials management system and IT infrastructure. Furthermore, you are able to specify the performance range of your UC3-RTT-A cash register terminal in line with your own requirements by means of connection to a cash register drawer, an external weighing platform or by supplementing the terminal with optional cash register functions.

Multifunctional cash register terminal – for weighing and cash register functions

Clear touchscreen interface – for intuitively simple operation

Seamless UC3 Line integration – for a uniform working environment

Modular expandability – for individual functionality

Technical data

UC3-RTT-A

Application options and types of operation

- Take money at the service counter or in the cash register area*
- Weighing of incoming goods **

Features

- Comprehensive online help
 - Operational help via a text display
 - Training in the form of text displays, images and guided texts (product information, recommendations)
 - Guided texts (up to 1,000 characters)
 - Additional texts (10 blocks of 10,000 characters)
- Extensive taring options
- Efficient, freely configurable reporting
- Inventory (up to 9 inventory types)
- Proof of origin (optional)
- Promotions (optional)
- Ticket forwarding (optional)
- Cash register modules (optional): Cash register functions, electronic cash interface***, counting system

User interface

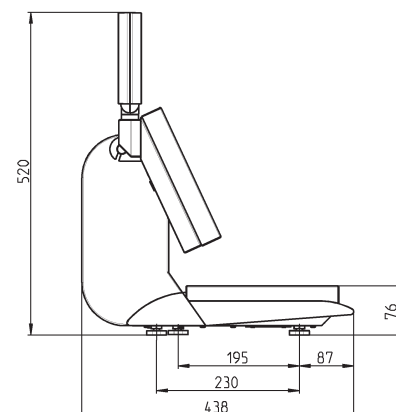
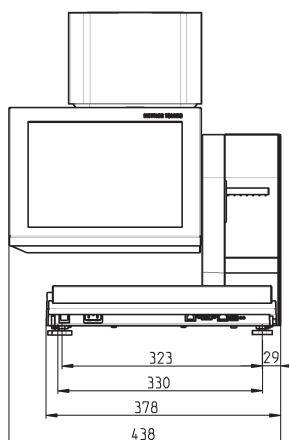
- 12.1" touch-sensitive screen
 - Touchscreen with TFT technology
 - Screen resolution: 800 x 600 pixels
 - 32-bit color depth
- Individually customisable menu for user navigation
 - Cascading levels, buttons and links
 - Context-sensitive product information and additional information in HTML, text or graphical illustration

Customer display

- 5.7" black/white STN technology display
- 5.7" black/white, rotatable STN technology display (optional)
- 5.7" colour STN technology display (optional)
- 5.7" rotatable, colour STN technology display (optional)

Printer options

- Ticket printer, print width 54 mm
- Label printer, print width 54 mm (optional)
- Linerless printer, print width 54 mm (optional)
- Double printer, print width 54 mm (optional)
- Printing speed: up to 125 millimeters/second
- Print resolution: 8 dots per millimeter
- Freely definable labels (labels designed on PC using UC3 Label)



Data storage

- 60 GB hard disk or larger
- 256 MB RAM, optional 512 MB

Secure weighing

- Password protection for important functions
- Local master database
- Service notifications: Calibration expiry, thermal head service interval, refill paper roll

Interfaces

- TCP/IP Ethernet interface (10/100)
- 1 x RS232 serial interface
- 1 x RJ11 interface for controlling the cash register drawer
- 1 x IFO for external weighing cell
- 2 x USB 2.0 ports

Remote maintenance and data communication

- FTP (File Transfer Protocol)
- VNC (Virtual Network Computing)
- Trans UC3
- XML interface
- InTouchSM Remote Service Ready

Operating system

- Microsoft Windows Embedded for Point of Service (WEPOS)

* optional cash register module required

** optional ID-NET interface required for connection of an external weighing platform

*** in combination with cash register function only, available in Germany only



ISO 9001 Quality management certification
ISO 14001 Environmental management certification

Subject to technical changes
© 01/2010 Mettler-Toledo (Albstadt) GmbH
Printed in Germany 22020828
Global MarCom Greifensee

www.mt.com/retail

For further information