

Highest Productivity with Automated Weighing



Easy sample placement

Place your sample on the easily accessible automated loading rack and it slides into the weighing chamber. The loading rack gently places the sample on the weighing pan while the stainless steel cover closes simultaneously.



Utmost performance

Due to the small air volume in the weighing chamber, the stabilization time is exceedingly fast. A solid stainless steel cover over the weighing unit constricts heat transfer to ensure highest weighing accuracy.



Static-free environment

The optional integrated ionizer discharges your sample before entering the weighing chamber – for highest accuracy of your results.



Speed through automation

Whether zeroing, weighing or moving to a defined transfer position, XP Automated-S take care of the weighing process for you and accelerate it.



XP Automated-S

Micro Balances for unique sample shapes

Increase your productivity in the weighing of short and narrow tubular samples with METTLER TOLEDO XP Automated-S balances. The high-speed solutions with XP Automated-S micro and ultra-micro balances accelerate your weighing process and increase process reliability: Its automation increases productivity and enables the seamless and easy integration into robotic systems. The small weighing chamber and the isolating stainless steel cover enable fast and stable weighing results while the freely accessible loading pan allows convenient handling of all short and longish-shaped samples. XP Automated-S offers true value to your process through:

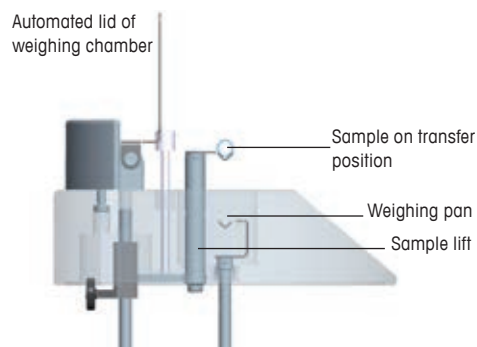
- Accelerated weighing processes
- Easier and faster handling of samples
- Increased productivity

METTLER TOLEDO offers unique micro balances for specialized weighing purposes.

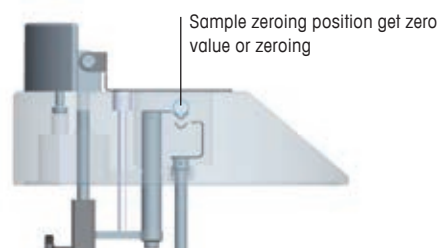
Automated Weighing Process

For Fast Results

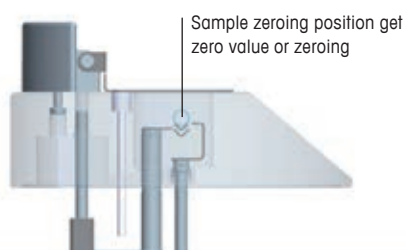
Step 1: loading of sample on the sample lift.



Step 2: moving the sample into the weighing chamber and zeroing



Step 3: transfer on pan and weighing of sample



Standard equipment

- Stainless steel cover: avoids temperature shifts
- ProFACT: fully automatic time- and temperature-controlled internal adjustment and linearization
- Connectivity: RS232C built-in, second interface as an option
- RS-P42 printer as an option
- Touchscreen display: makes manual operation easy and fast
- SmartSens: for hands-free operation
- Use alphanumeric identifications
- Password protection

Technical Data	XP6-S	XP6U-S	XP2U-S
Limit values			
Maximum capacity	6.1 g	6.1 g	2.1 g
Readability	0.001 mg	0.0001 mg	0.0001 mg
Repeatability (at nominal load)	0.0008 mg (5 g)	0.0004 mg (5 g)	0.00025 mg (2 g)
Repeatability (at low load)	0.0006 mg (0.2 g)	0.00025 mg (0.2 g)	0.0002 mg (0.2 g)
Linearity deviation	0.004 mg	0.004 mg	0.0015 mg
Sensitivity offset (test weight)	0.048 mg (6 g)	0.048 mg (6 g)	0.03 mg (2 g)
Sensitivity temperature drift	0.0001% / °C	0.0001% / °C	0.0001% / °C
Sensitivity stability	0.0001% / a	0.0001% / a	0.0001% / a
Typical values			
Repeatability	0.0004 mg	0.00015 mg	0.00015 mg
Linearity deviation	0.0019 mg	0.0019 mg	0.0008 mg
Sensitivity offset (test weight)	0.018 mg (6 g)	0.018 mg (6 g)	0.012 mg (2 g)
Minimum sample weight (acc. to USP)	1.2 mg	0.45 mg	0.45 mg
Minimum sample weight (U=1%, k=2)	0.08 mg	0.03 mg	0.03 mg
Settling time	7 s	15 s	10 s
Dimensions			
Balance dimensions (WxDxH)	132x308x132 mm	132x308x132 mm	132x308x132 mm
Weighing platform dimensions	∅ 35 mm	∅ 35 mm	∅ 35 mm