

Ergonomic and space-saving Increased space for sales transactions



Bright displays

Clear and easy to read: The customer and operator displays of the bC-H22 have an anti-glare, anti-reflection display screen with a wide reading angle. The adjustable backlighting ensures a high-contrast display even in the case of unfavorable lighting conditions.



Simple paper changing

The removable printing unit facilitates a simple and rapid paper change, while the print head is easily accessible for cleaning purposes. The paper for sales slips and labels is output below shoulder height and thus prevents wet sleeves during operation caused by flowing water.



Fast operation

The bC-H22 hanging scale provides the highest level of operating convenience with the tried-and-tested METTLER TOLEDO Light Touch keyboard. The removable keyboard is simple to clean, while the freely configurable keys can be individually labeled simply and conveniently.



Targeted sales promotion

Take advantage of the scale housing for your advertising campaigns: Advertising images and messages can be applied to the customer's side of the scale housing at ease thanks to the magnets included in the scope of delivery. In this way, you can really draw attention to your offers.



Compact housing

All interfaces and connections as well as the antennae of the WiFi unit available as an option for wireless scale networking are safely protected against soiling and damages thanks to the easily removable plastic ABS cover.



bC-H22 hanging scale

Professional hanging scale with a compact design

The METTLER TOLEDO bC-H22 hanging scale is the classic weighing solution for fish sales and sales stands where little space is available for presenting fresh produce. Thanks to its suspended design and the hard-wearing plastic ABS housing, the electronics of the scale are optimally protected against spills, acids, salt and oils. The key to a successful sales pitch: the slimline housing does not block the customer's view and eye contact can thus be maintained at all times.

The bC-H22 hanging scale has a label printer for sales slips, continuous labels or labels and can be networked with all modern scales from METTLER TOLEDO's bC scale family as standard.

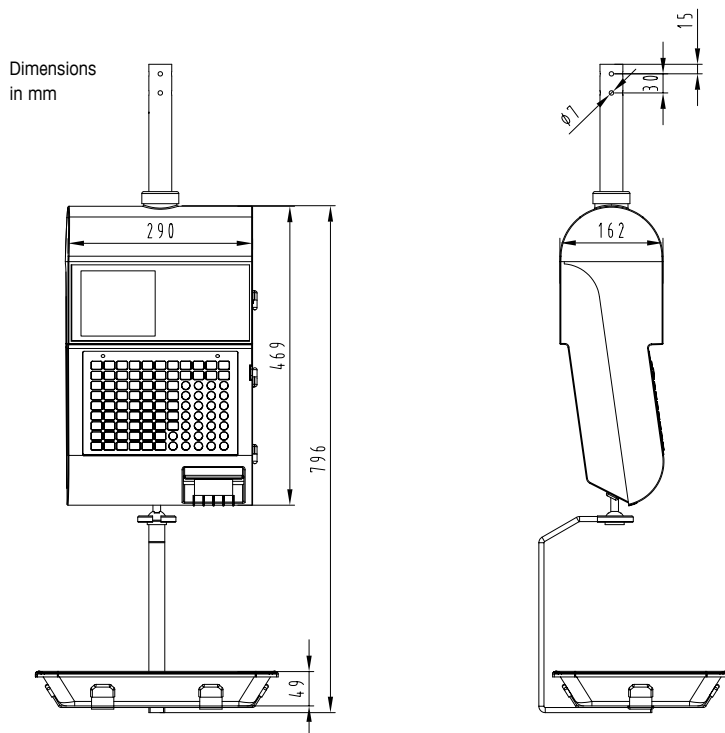
bc-H22 hanging scale

Robust and powerful – for professional requirements

Space-saving suspended design – creates more space for sales transactions

Compatible with the bC scale family – a future-proof investment

Sales slip and label printer as standard – versatile usage



Display

High resolution back-lit LCD
 Weight: 5 locations
 Tare: 5 locations
 Basic price: 7 locations
 Total price: 7 locations
 Text line: 16 alphanumeric characters
 240 x 240 dot matrix display (optional)

Functions

Serving function, cash register function, inventory function, large-volume sales, self service and training function, service function with sales slip, label, label and total label, self-adhesive total sales slips.

Keyboard

Patented Light Touch keyboard
 99 keys in total, 30 function keys
 69 freely programmable fixed keys
 Easy to maintain thanks to the patented, removable Light Touch keyboard

Printer

2" print head for sales slip/label printing
 Thermal printer 125 mm/s, logo printed onto sales slips and labels,
 10 freely definable labels, large number of predefined labels

Interfaces

RJ45, Ethernet TCP/IP
 2 serial interfaces
 RJ11 connection for cash register drawers
 1 USB port
 Optional: Integrated WLAN IEEE802.11 b/g

Data storage

4 MB application memory is sufficient for even the toughest demands on speed of use
 3 MB data memory with additional expansion options up to a maximum of 8 MB

Secure weighing

Password login for staff members
 Electronic journal
 Price changes and sales reports protected by pin codes

Reporting

Adjustable daily reports
 Reporting on two revenue levels
 Electronic journal
 Reports per staff member, department, category, item, price, revenue report for specifically defined time frames

Weighing range	15 kg	6/15 kg	12 kg
Graduation	5 g	2/5 g	2 g
Minimum capacity*	100 g	40 g	40 g

Automatic zero setting

* EG: Printout under minimum capacity possible, but not with price marking.

www.mt.com/retail

For more information



Quality certificate ISO 9001
 Environmental certificate ISO 14001
 Conformité Européenne
 Worldwide service

Subject to technical changes
 © 10/2009 Mettler-Toledo AG
 Printed in Germany 22020761
 Global MarCom Switzerland