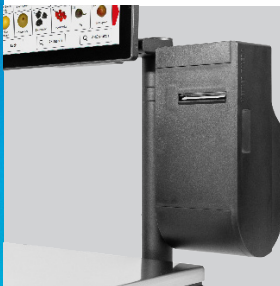


Flexible Solutions Promote Sales



Customizable Configurations

The FreshWay T is a flexible scale solution that includes large colorful displays and various printers to support self-service use cases as well as operator driven use cases on lower counters. A full-color customer display supports graphics-intensive digital signage to drive incremental sale as well as improved customer interactions.



Versatile Printing

The FreshWay T includes choices of 2" or 3" label, linerless and receipt printers to support any application. Dual printing capability with one pole-mounted printer and one remote printer provides even more flexibility.



Durable Housing

Impact-resistant aluminum housing with a non-stick surface protects the FreshWay T scale against spills, acids, salts, and fats. This makes it ideal for long-term usage, even in highly-demanding retail conditions.



Intuitive Software

The user interface of the FreshWay T offers simplified operation with scale software that is user-friendly for both new employees and experienced operators. Less training time means lower costs and more time for high-quality customer service.



FreshWay T

The FreshWay T tower scale is a next-generation PC scale ideally-suited for lower retail counters. The ergonomic design of the raised tower display makes operation easy and convenient, ensuring faster and more accurate processes. Flexible configurations support multiple use cases for operators and customers, including self-service applications.

The FreshWay T's robust, future-proof design ensures high-performance weighing technology for even the most demanding retail environments.

Technical Data

FreshWay T

Operator Touchscreen Display

- 12.1" (30.7 cm) capacitive touchscreen with a bright, high-contrast TFT LED backlit display
 - Screen resolution: 1024 x 768 pixels
- Continuous tilt angle adjustments (stepless)
- Optional 15.6" (39.6 cm) display available
 - Screen resolution: 1366 x 768 pixels

Customer Display (Optional)

- 12.1" (30.7 cm) customer display with bright, high-contrast LED backlight technology
 - Screen resolution: 1024 x 768 pixels
- 15.6" (39.6 cm) customer display with a bright, high-contrast TFT LED backlit display
 - Screen resolution: 1366 x 768 pixels

Printers

- Printing width: 2.2" (56 mm)
- Paper width: 1.7 – 2.4" (44 – 62 mm)
- Printing speed: up to 5.9"/sec (150 mm/sec)
- Print resolution: 8 dots/mm
- Separate paper feed button
- Pole-mounted printer options:
 - 2-inch (50.8 mm) ticket printer
 - 2-inch (50.8 mm) label printer
 - 2-inch (50.8 mm) linerless printer
 - 3-inch (76.2 mm) linerless printer
- Remote-mounted (up to 4m) printer options:
 - 3-inch (76.2 mm) label printer
 - 3-inch (76.2 mm) linerless printer
- Dual printer capability

Processor

- Intel® processor

Data Storage

- Up to 8 GB RAM
- Up to 128 GB Flash

Operating System

- Microsoft Windows®

Scale Software

- UC3 application
- VCO application

Power Supply

- 100 – 240 V AC, 50 / 60 Hz

Average Power Consumption

- During operation: ca. 26 W

Interfaces and Protocols

- Gigabit Ethernet interface (10/100/1000)
- 1 x RJ11 interface for controlling the cash register drawer
- 2 x USB 2.0 ports
- 2 x USB 3.0 ports
- Integrated solution for wireless data transmission in accordance with IEEE 802.11 ac/a/b/g/n (2T2R), with 2 x 2 MIMO

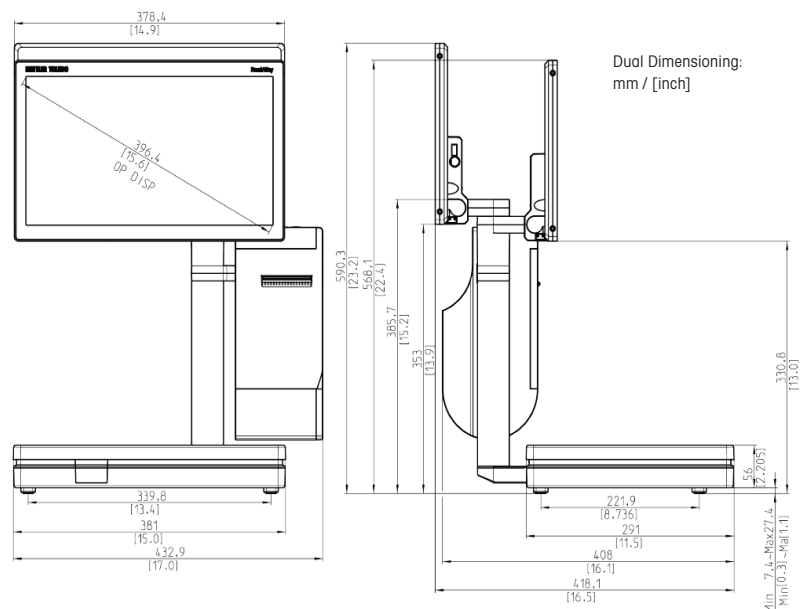
Housing

- Impact-resistant housing made of die-cast aluminum
- Color: Black

Weighing range	3 kg / 6 kg*	6 kg / 15 kg*	3 kg / 6 kg / 15 kg	TRM
Graduation	1 g / 2 g	2 g / 5 g	1 g / 2 g / 5 g	-
Minimum load	20 g	40 g	20 g	-

*Optional with Inclination Compensation

Intel is a registered trademark of Intel Corporation in the U.S. and/or other countries. Microsoft® and Windows® are registered trademarks of Microsoft Corporation in the United States and/or other countries.



METTLER TOLEDO Group

Retail Division
Local contact: www.mt.com/contacts

Subject to technical changes
©12/2021 METTLER TOLEDO. All rights reserved
Document No. 30536837 A
MarCom Industrial

www.mt.com

For more information

