

MODULE COMBINATIONS						DIMENSIONAL CHART							
SCALE SIZE	FIRST REF "D" DIM	MIDDLE REF "E" DIM	MIDDLE REF "F" DIM	MIDDLE REF "G" DIM	TERMINAL REF "H" DIM	"A" FDN LENGTH	"B" OVERALL LENGTH	"C"	"D"	"E"	"F"	"G"	"H"
75'	15'	15'	15'	15'	15'	75'-0 1/2"	74'-11 1/2"	74'-4 1/2"	14'-10 1/2"	14'-10 1/2"	14'-10 1/2"	14'-10 1/2"	14'-10 1/2"
80'	17.5'	15'	15'	15'	17.5'	80'-0 1/2"	79'-11 1/2"	79'-4 1/2"	17'-4 1/2"	14'-10 1/2"	14'-10 1/2"	14'-10 1/2"	17'-4 1/2"
82.5'	17.5'	15'	17.5'	15'	17.5'	82'-6 1/2"	82'-5 1/2"	81'-10 1/2"	17'-4 1/2"	14'-10 1/2"	17'-4 1/2"	14'-10 1/2"	17'-4 1/2"
85'	17.5'	17.5'	15'	17.5'	17.5'	85'-0 1/2"	84'-11 1/2"	84'-4 1/2"	17'-4 1/2"	17'-4 1/2"	14'-10 1/2"	17'-4 1/2"	17'-4 1/2"
87.5'	17.5'	17.5'	17.5'	17.5'	17.5'	87'-6 1/2"	87'-5 1/2"	86'-10 1/2"	17'-4 1/2"	17'-4 1/2"	17'-4 1/2"	17'-4 1/2"	17'-4 1/2"

**NOTES:**

- FOUNDATION LENGTH DIMENSION SHOWN IS NOMINAL, ACTUAL TOLERANCE IS -0 +1"
- THE MODULE SUFFIX IS USED TO DESIGNATE MODULE ASSEMBLY, HARDWARE AND WIRING CONFIGURATION. HAZARDOUS CONFIGURATION IN PARENTHESIS
- APPLY LOCTITE #242 TO ALL GAP COVER BOLTS
- APPLY A 1/4" BEAD OF DIELECTRIC COMPOUND IN THE MALE CONNECTOR OF POWER CELL BEFORE FINAL CONNECTION.
- IF DIELECTRIC COMPOUND BECOMES CONTAMINATED, CLEAN CONNECTOR WITH TB202627 CONNECTOR CLEANER. REAPPLY NEW COMPOUND TO THE CONNECTOR.
- APPLY LOCTITE TO BOLTS AND TORQUE 1/3 TURN PAST SNUG. (ONLY IF COUPLER PINS ARE REMOVED.)

**CONCRETE NOTES:**

- USE 4000 PSI CONCRETE AT 28 DAY AGE. AIR ENTRAINMENT SHALL BE 5%-7%. MAXIMUM AGGREGATE SIZE IS 3/4". MAXIMUM SLUMP AS PLACED SHALL BE 4".
- CONCRETE SHALL BE DIRECT CHUTE PLACED AND THOROUGHLY CONSOLIDATED USING A SPUD TYPE VIBRATOR.
- USE OF CALCIUM CHLORIDE ADMIXTURE IS NOT PERMITTED.
- AFTER FINISHING, A STYRENE BUTADIENE TYPE (30% SOLIDS MIN) CURING COMPOUND SHALL BE APPLIED. EXAMPLES: SUPER FLOOR COAT OR SUPER PLOTICURE BY EUCLID; MASTER SEAL 66 BY MASTER BUILDERS.
- REFER TO METTLER TOLEDO SPECIFICATION TN201832 FOR FURTHER INFORMATION.
- ESTIMATED CONCRETE PER MODULE IN CUBIC YARDS. (REF ONLY)  
15' X 11' = 3.8    17'6 X 11' = 4.5

**NOTES FOR HAZARDOUS AREA WIRING:**

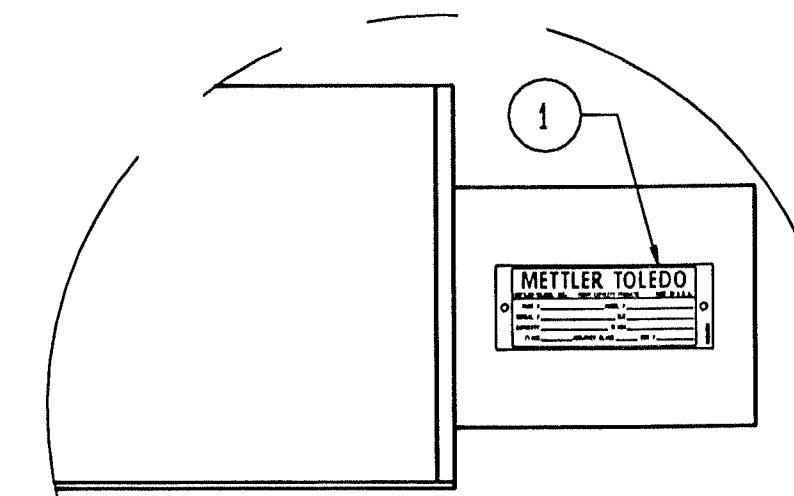
- THE HAZARDOUS AREA WIRING AND LIGHTNING PROTECTION KIT IS SPECIFIC FOR THE SUPPLY VOLTAGE AND THE INDICATOR USED. IT MUST BE INCLUDED FOR INTRINSICALLY SAFE COMPLIANCE IN HAZARDOUS LOCATIONS.

**IMPORTANT:**

THE INTERIOR SURFACE OF ALL LOAD CELL RECEIVERS (BOTH TOP AND BOTTOM) MUST BE GREASED WITH TN203217 DURING CELL INSTALLATION.

ITEM	QTY	PART NUMBER	DESCRIPTION
34	20	MZ0909000043	CAPLUG; RED, #16 (FOR SIDE LFTG HOLES)
33	10	MZ0909000031	CAPLUG; RED, #19 (FOR ENDPLATE HOLES)
32	2	TN203217	LUBRICANT, LOADCELL-RECEIVER
31	44	TN203216	ANCHOR BOLT
30	1	TN203056	CONNECTOR DIELECTRIC COMPOUND
29	1	TB202627	CONNECTOR CLEANER
28	1	MZ0602000117	LOCTITE #242 THREADLOCKER
27	12	TA200814	BOTTOM HEX RECEIVER
26	12	TA200764	TOP RECEIVER WITH O-RING
25	12	TA200712-3	RECEIVER SHIM 7 GA (.180)
24	24	TA200712-2	RECEIVER SHIM 16 GA (.062)
23	24	TA200712-1	RECEIVER SHIM 11 GA (.125)
22	4	TA200357-3	SLOTTED SHIM 22 GA (.031)
21	4	TA200357-2	SLOTTED SHIM 16 GA (.062)
20	4	TA200357-1	SLOTTED SHIM 11 GA (.125)
19	3	TA200864-2	COUPLER SHIM 16 GA (.062)
18	3	TA200864-1	COUPLER SHIM 11 GA (.125)
17	2	TA200856-3	END BUMPER SHIM 16 GA (.062)
16	2	TA200856-2	END BUMPER SHIM 11 GA (.125)
15	3	TA200856-1	END BUMPER SHIM 1/4"

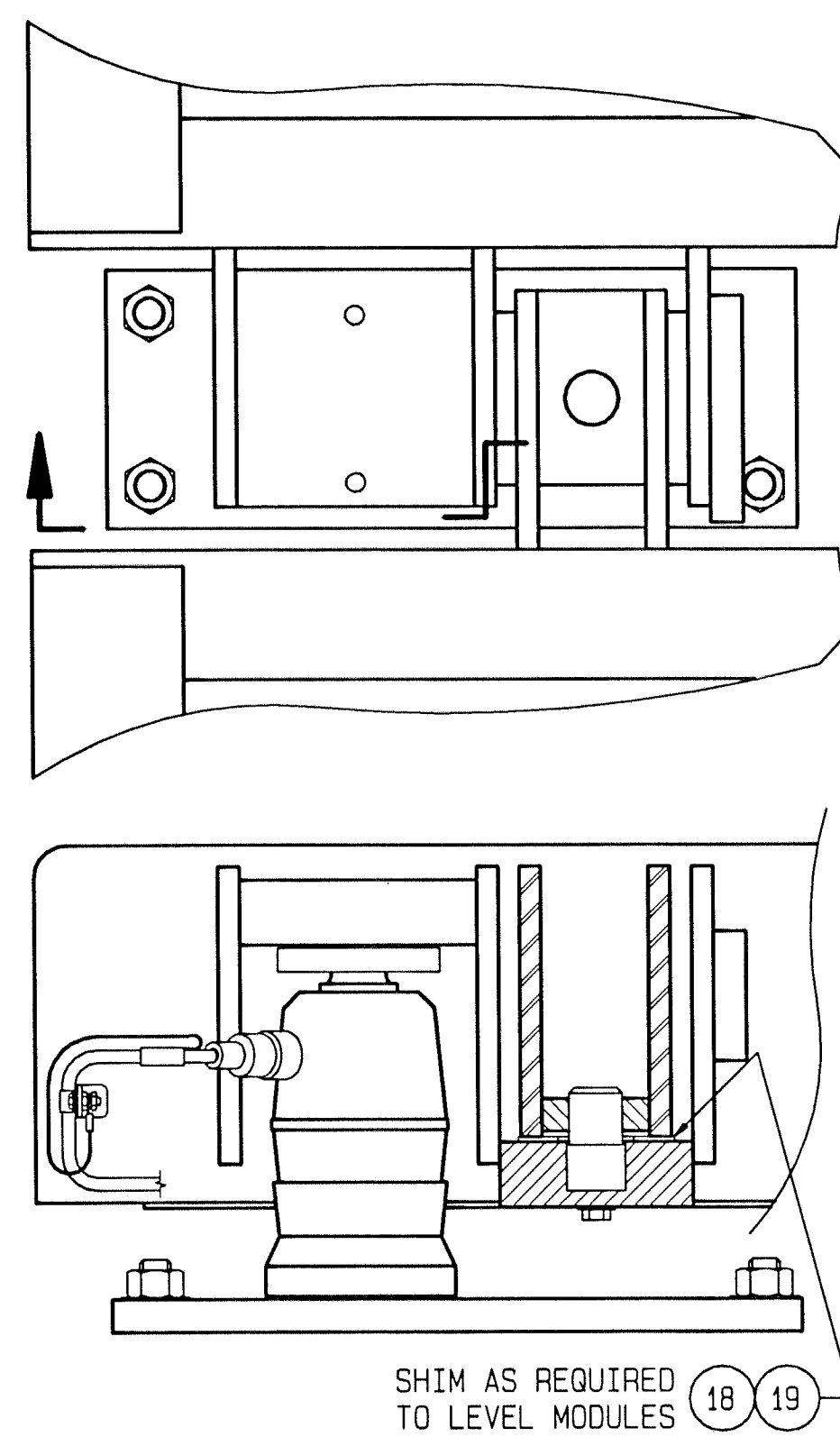
ITEM	QTY	PART NUMBER	DESCRIPTION
<b>HARDWARE KIT OF PARTS: TC204635-1</b>			



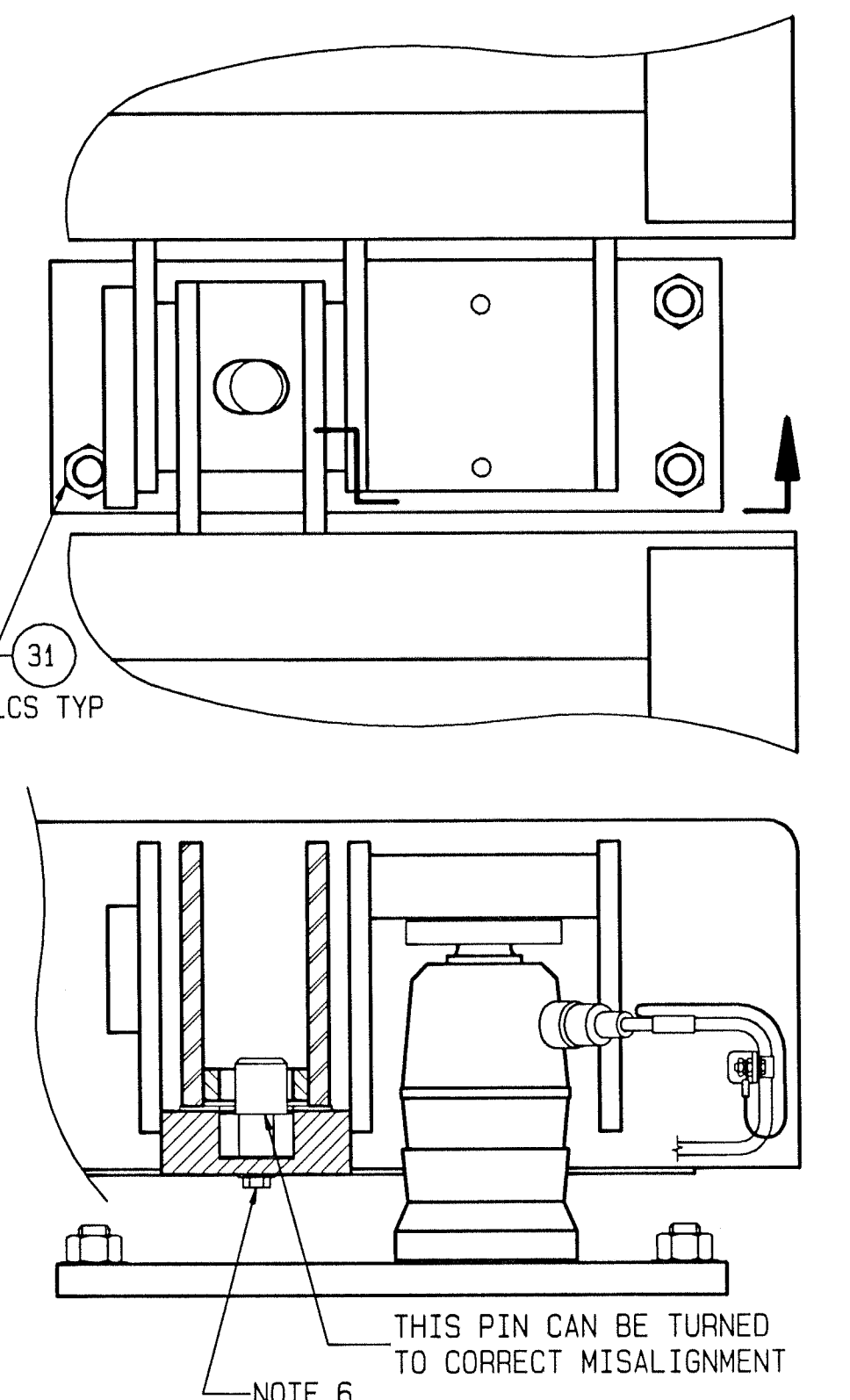
**SECTION D-D**

BY METTLER TOLEDO: DRILL TWO #29 HOLES IN SUPPORT TUBE AND FASTEN DATA PLATE WITH 1/8" ALUMINUM AB4-4 POP RIVETS (MZ0904000031)

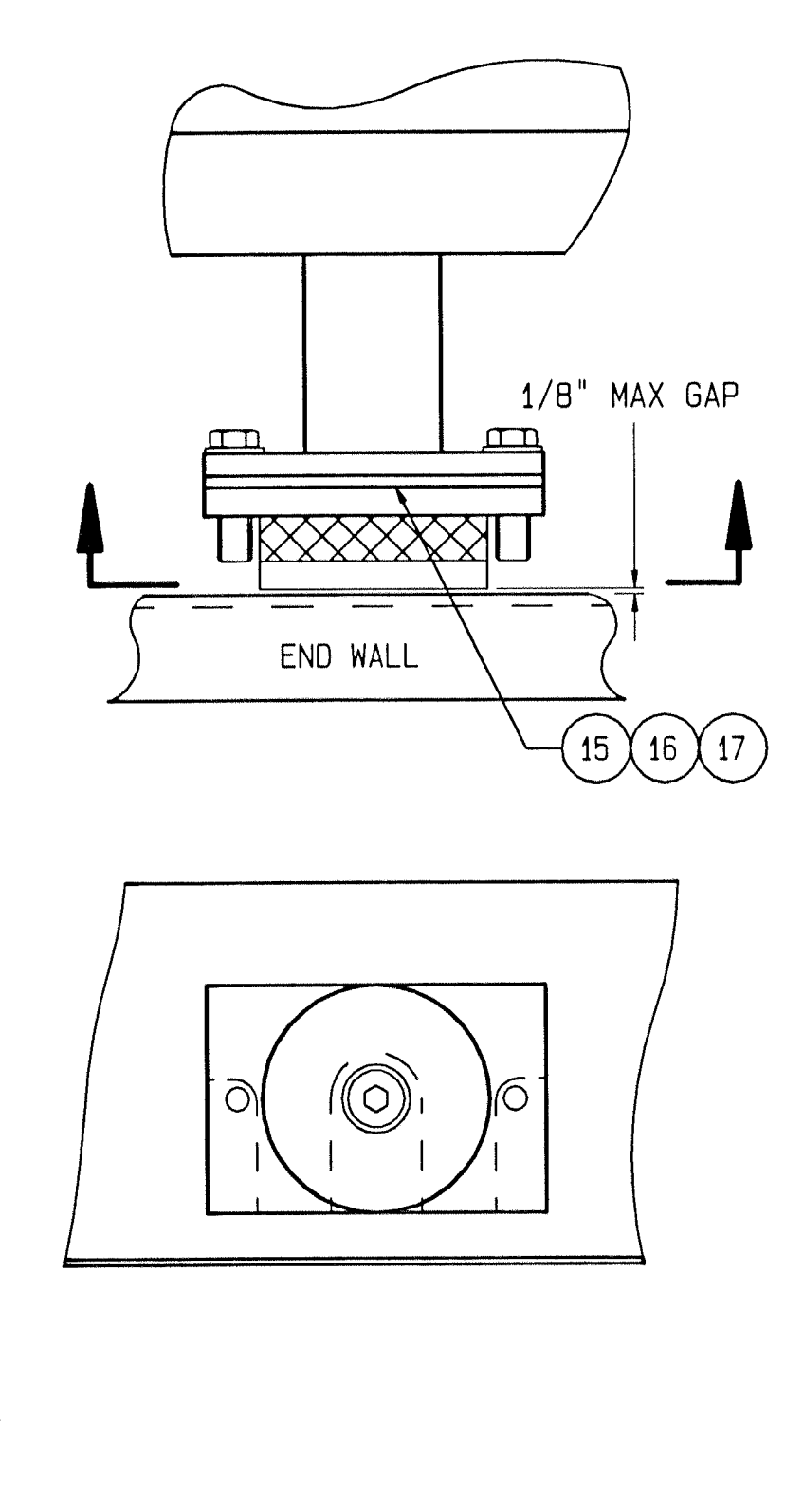
**DETAIL B**



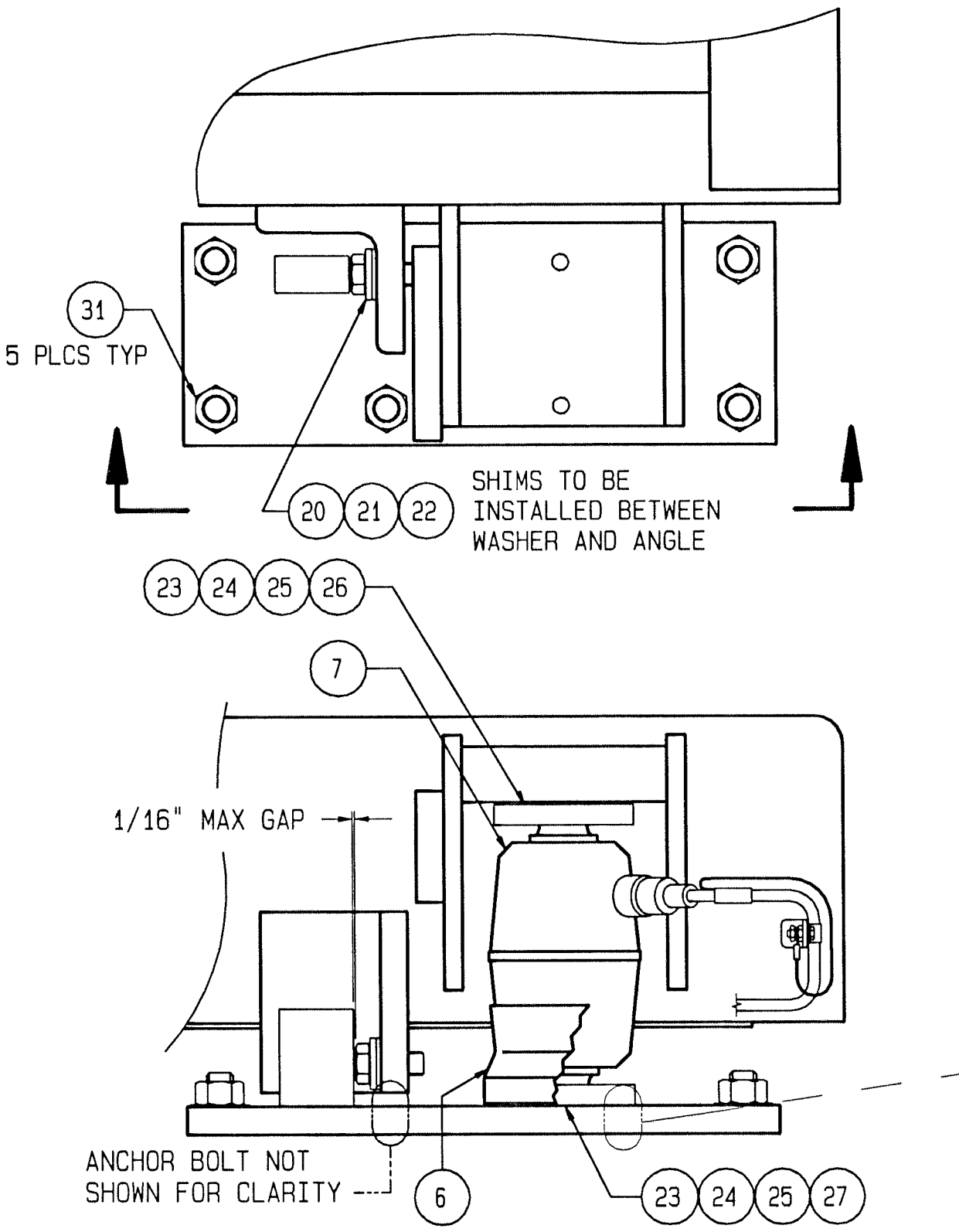
**DETAIL C**



**DETAIL A**



**DETAIL A**



NOTE 2.  
\* LETTER PREFIX SUBJECT TO CHANGE.

REV	QTY	PART NUMBER	DESCRIPTION
--	1	TC204635-1	HARDWARE KIT OF PARTS
12	1	TN204138 TN204213	STANDARD TOUCH-UP PAINT PREMIUM TOUCH-UP PAINT
11	1	REF COOD SUFFIX REF COOD SUFFIX	STANDARD WIRING TERMINAL MODULE HAZARDOUS WIRING TERMINAL MODULE
10	1	REF COOC SUFFIX REF COOJ SUFFIX	STANDARD WIRING MIDDLE MODULE HAZARDOUS WIRING MIDDLE MODULE
9	2	REF COOB SUFFIX REF COOH SUFFIX	STANDARD WIRING MIDDLE MODULE HAZARDOUS WIRING MIDDLE MODULE
8	1	REF COOA SUFFIX REF COOF SUFFIX	STANDARD WIRING FIRST MODULE HAZARDOUS WIRING FIRST MODULE
7	12	*14002500A *15476400A	MODEL 760 POWERCELL 22.5t CAPACITY MTX LOAD CELL 25mt CAPACITY
6	12	TN203173 TN203705	TN203173 GASKET (WITH 760 POWERCELL) TN203705 BOOT (WITH MTX LOAD CELL)
5	12	MZ0904000063	Ø 1/2 ROLL PIN, 1 1/2 LONG
4	2	TB200929-4	BUMPER BASEPLATE RIGHT
3	2	TB200929-3	BUMPER BASEPLATE LEFT
2	8	TB200929-2	BASEPLATE
1	1	MN31004	DATA PLATE

ITEM	QTY	PART NUMBER	DESCRIPTION
<b>MAJOR BILL OF MATERIAL</b>			

<p>CHANGE</p> <p>BY DATE SCALE .25</p> <p>HEW 01/03/01 DATE 07/07/00</p> <p>MCP 10/04/01</p>	<p>BY DATE SCALE .25</p> <p>HEW 01/03/01 DATE 07/07/00</p> <p>MCP 10/04/01</p>	<p>SCALE .25</p> <p>DATE 07/07/00</p> <p>DRN ELD APPR</p> <p>TITLE 7560 C/D GENERAL LAYOUT</p> <p>5 MODULE SCALE</p>	<p><b>METTLER TOLEDO</b></p> <p>UNLESS OTHERWISE SPECIFIED, ALL DIMENSIONS ARE IN INCHES, AND DIMENSIONAL TOLERANCES ARE:</p> <p>FRACTIONAL .XX ±.02</p> <p>DECIMAL .XXX ±.005</p> <p>ANGULAR ±.5°</p>	<p>THIS PRINT IS FURNISHED WITH THE UNDERSTANDING THAT THE ESSENCE THEREOF WILL NOT BE REPRODUCED IN WHOLE OR IN PART WITHOUT WRITTEN AUTHORIZATION OF METTLER-TOLEDO, INC. ALL DESIGNS ARE THE PROPERTY OF METTLER-TOLEDO, INC. AND WILL BE PROTECTED BY PATENTS.</p>
--	--	--	--	--

TC204635 REV B