

Today and Tomorrow: Flexible, Reliable, Durable.



METTLER TOLEDO
compact scales

- M-hC
for ticket printing
- M-EBC
for ticket or
label printing

optional tower:

- M-hCT
- M-EBCT

mira

METTLER TOLEDO

METTLER TOLEDO - the solution for every application

The Compact-Class Does it all. Ergonomic. Convenient. Reliable.

How do you cope with the rough and tumble daily workload? A simple question that led to the conception of a new line of retail scales, resulting in a type of scale that is setting new industry standards:

Hinged platter allows access from top - to change rolls easier and faster. Large storage area for immediate access to spare rolls.

- Very unique.

Ease of operation and a new design are immediately noticeable. But it is only in actual use that you can feel and see the adaptability to all working conditions and systems. Smart solutions that lighten the work load, especially at peak traffic hours.



Keyboard - easy access. Clearly legible at a glance, for very easy use. Easy to clean. Blank keys for inscriptions.

- Sensible ergonomics.

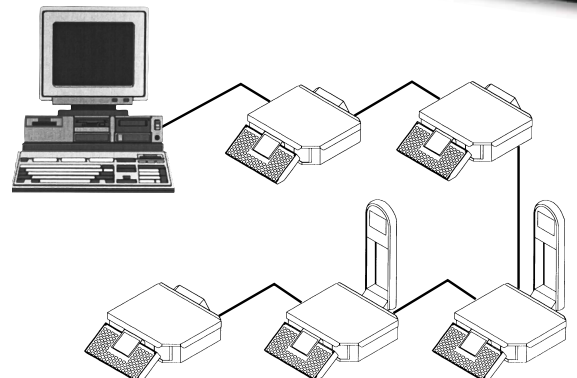


- Hinged platter - Very unique
- Keyboard - Sensible ergonomics
- Scale network - Perfection no matter how you look at it
- Expanded memory for more data

The scale network

The right kind of network for the best kind of service throughout the system. Central data storage with evaluation by any station in the network or by any computer, allows precise entry of inventory. The memory in each scale (multi-master) provides highest security.

- Perfection no matter how you look at it.





- Double display - Maximum feedback
- Labels or tickets - Extremely convenient
- Individualized label design - Excellent
- "Two for one": Counter service and prepacking - It makes sense.

Double display
Easy to read screen displays, front and back. Visibility that satisfies vendors and customers.

- Provides maximum information.



Labels or tickets
The fast thermal printer is easily accessible and ergonomically located.

- Extremely convenient.

ics
matter
ata



Individualized label design
Creativity knows no bounds. Text and information elements easily positioned.

- Flexible.



Mettler-Toledo
(Albstadt) GmbH
Unter dem Malesfelsen 34
72458 Albstadt
LP-Filialtext

10-11-96 14:28

E.LECLERC

Conservation 0° à +3° C.

PAIN 400G.

INGREDIENTS: FARINE DE BLE, EAU, LEVAIN

Date de conditionnement: 07.01.96 A consommer jusqu'au: 01.02.96

POIDS NET M 0,400kg

PRIX en F 3,70 F

DM 05 ch-Rind 5,13

5,13

Frühstücksfleisch

Zutaten: Schweinefleisch, Rindfleisch, Speck, Trinkwasser, Nitritpökelsalz E 250, Gewürze, Stabilisator E 450a, Geschmacksverstärker

METTLER TOLEDO

OIGNON ROUGE

Emballé le: 07.01.96 # 0326

1103268 005387 A consommer jusqu'au: 01.02.96

13,80 F/kg

0,390 kg 5,38 F

Betrag: 12,05 DM

24471101 012055

Original size

Two for the price of one
A combination printer simplifies the switch from labels to tickets and back again. Even during daily operations, prepacked goods can be rapidly labeled.

- It makes sense.

Advanced technology certified according to ISO 9001.

The new retail scale look - thought through to the finest detail.



M-EBC

Performance

- Info-Vision customer help function
- Commercial vendor text
- Ticket void
- Inventory data entry
- Wide range of tare options
- Wholesale function

Screen display

- 5-line segmented display
- Weight 5 digits
- Tare 5 digits
- Unit price 6 digits
- Total price 6 digits
- Commercial text 16 characters

Sales reports

- Configurable daily sales reports
- 2 turnover levels
- Vendor / scale sales report, department, category, article, price changes, (includ. date and hour) sales report by time period
- Electronic sales journal
- Evaluated sales broken down by amount, weight and item

Weighing Range

Range:	6 kg	15 kg	3/6 kg	6/15 kg	12 kg	30 kg
Graduation:	2 g	5 g	1g / 2g	2g / 5g	2 g	5 g
Min. weight*):	40 g	100 g	20 g	40 g	20 g	100 g

Automatic return to zero.

*) Print out of less than the minimum weight is possible, but not with pre-labelling function.



M-EBCT

Sales services

- Service, price pre-labelling, inventory entry, wholesale, fast service for assisted self service
- Label by item, label and total sum ticket, ticket with or without tear-off voucher
- Ticket re-opening
- Network with up to 64 scales
- Up to 16 sales/service groups

Keyboard

79 keys, of which 30 function keys, 49 programmable keys

Security

- Record of check in and check out of vendors
- Price changes and sales report protected by pin code (password configurable)
- Electronic journal

Memory

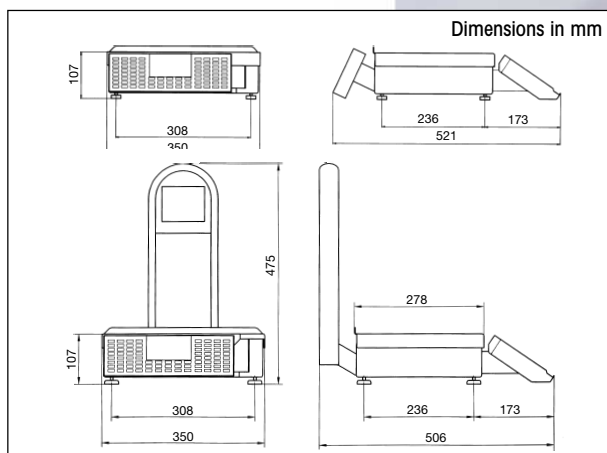
- PLU memory with 100 characters text, possibility of extension up to 3000 items per scale
- Memory of items, 20 characters by product category, up to 800 in the network, up to 50 per scale in single unit retail
- Choice of up to 16 sales departments
- Commercial text up to 100 characters
- Various texts in motion
- Ingredients up to 300 characters/item
- Price schedule based on quantity
- Journal memory in chronological order
- Up to 99 vendors
- Multiple-department scales

Printer

- Fast graphics thermal printer
- 16 pre-defined and 3 programmable label types
- 20 fonts
- Up to 4 lines each header/footer text
- 75 mm/sec printing speed
- Ticket or label printing
- Rapid paper change
- Clearly printed ticket impression

Interfaces

- Serial interface (RS 232)
- Scale network interfaces
- Cashdrawer interface



Quality Certificate

Development, production, testing, sale and service of this scale according to the ISO 9001/EN29001 (certificate DQS/SQS)



CE "Conformité Européenne"

This symbol on our scales and balances provides you with the assurance that these products comply with the EU standards and therefore meet the most exacting standards of quality. In practice it means that you possess a certified scale which you can put to immediate use in EU countries for legal applications.

D Mettler-Toledo (Albstadt) GmbH

Unter dem Malefelsen 34
D-72458 Albstadt
Tel. +49 (0) 7431/14-0
Fax +49 (0) 7431/14-300

Internet: <http://www.mt.com>

Specifications subject to change without notice.
© 04/97 Mettler-Toledo (Albstadt) GmbH

Printed in Germany. ME - 00 506 184_A
Printed on recycled paper and is recyclable.