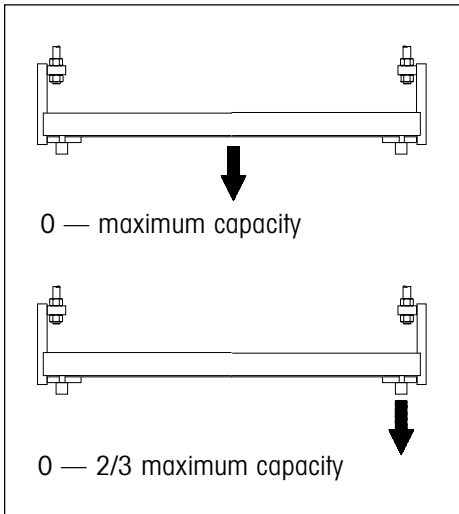


4. D0300 / D0300T weighing range

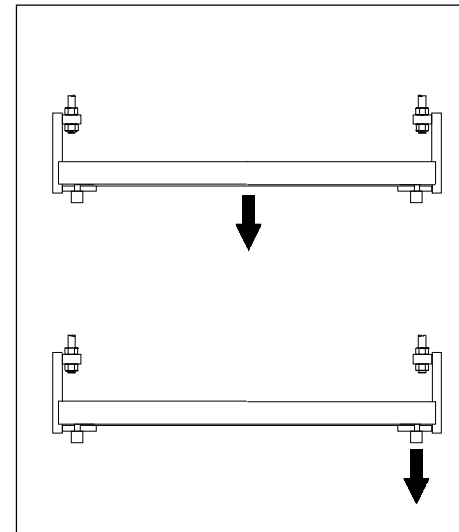


The maximum capacity and hence the weighing range of your overhead rail scale depends on the selected configuration (see configuration data).

- With a **centrally** suspended load, the weighing range comprises the entire range from zero up to the configured maximum capacity.
- If the load is suspended at the **side**, the upper limit of the weighing range is 2/3 the configured maximum capacity.

The scale operates with the specified accuracy within these ranges.

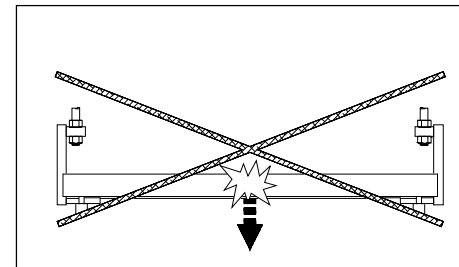
5. D0300 / D0300T operating limits



The overhead rail scales have an extremely rugged construction and hence suffer no damage if the maximum weighing load is exceeded occasionally.

The maximum static safe load, i.e. the maximum admissible load depends on the type of loading.

max. load	D0300/D0300T
central load	600 kg
side load	450 kg

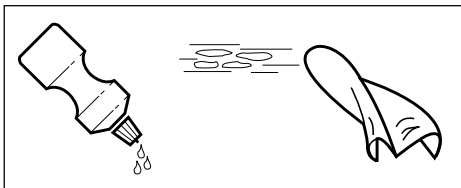


Caution

Avoid shocks to the scale.

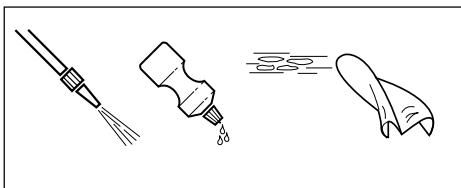
6. Cleaning the D0300 / D0300T overhead rail scales

Maintenance of the overhead rail scales is limited to their regular cleaning. The procedure depends on the environmental conditions prevailing at the scale location.



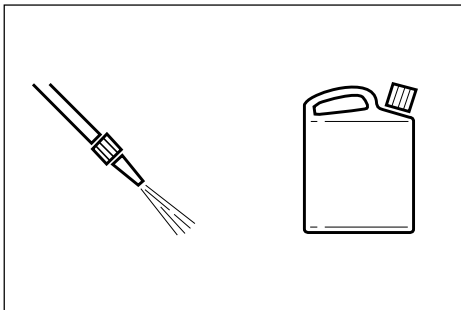
Cleaning the exterior, dry surroundings

- Wipe with a damp cloth.
- Usual household cleaning agents.



Cleaning the exterior, wet room

- Water jet.
- Usual household cleaning agents.



Cleaning the exterior, corrosive surroundings

- It is essential to remove corrosion-initiating substances at regular intervals.
- Use disinfectants and cleaning agents only in accordance with the producer's instructions and stipulations.
- Water jet up to 60 °C.

1. Cautionary notes



Never operate in hazardous areas!

To avoid accidents, the enclosure of the junction box must not be opened!

2. Preparatory work



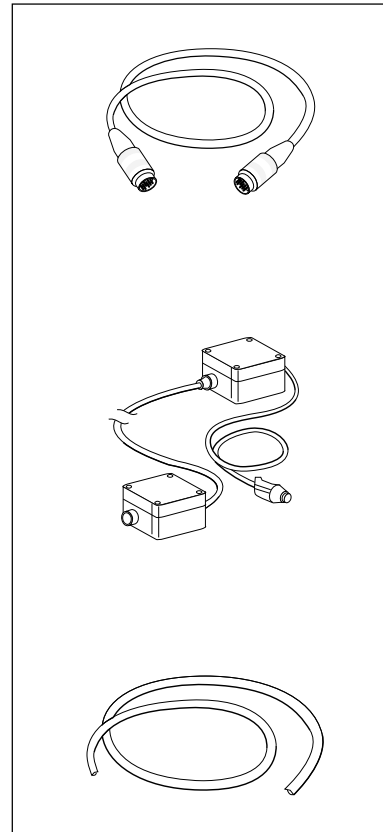
Before starting installation work, you should acquaint yourself with the local conditions. Hence, first study the section "Assessing the supporting structure" in the installation information and the corresponding diagrams dealing with the different types of fastening.

As METTLER TOLEDO has no knowledge of the local conditions, it can accept no responsibility whatsoever for fastening the overhead rail scale to the tubular track support structure.

3. Connecting Analog (T) Version

Terminal	Color	Assignment
EXC+ [IN+]	grey	voltage +
SEN+ [IN-]	yellow	control line +
SIG+ [OUT+]	white	signal +
SIG- [OUT-]	brown	signal -
SEN-	green	control line -
EXC-	blue	voltage -

7. Accessories



D0300

**Order
No.**

Connection cable extension
length 10 m, connectors at
both ends, for remote location
of terminal.

00504134

Cable adapter kit

comprising two junction boxes
for extending connection cable
up to 100 m. Box at terminal
end with connection cable of
length 2.5 m.

00504133

Special cable on reel

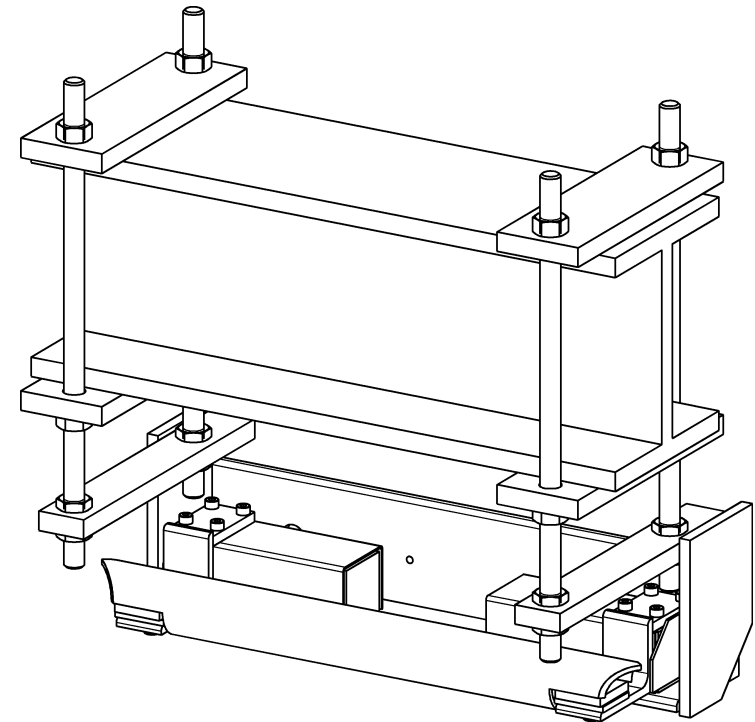
used with cable adapter kit for
extension of connection cable
to required length.

00504177

Operating instructions

METTLER TOLEDO MultiRange
Overhead rail scales
D0300 / D0300T

METTLER TOLEDO



00506336

Subject of technical changes © Mettler-Toledo (Albstadt) GmbH 09/03 Printed in Germany 00506336C

Mettler-Toledo (Albstadt) GmbH

D-72458 Albstadt

Tel. ++49-7431-14 0, Fax ++49-7431-14 232

Internet: <http://www.mt.com>