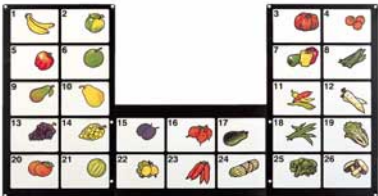


Totally different: in form and clearness.



METTLER TOLEDO
Self-service scale
M-GT

Flexible keyboard
design as desired:



Self-service keyboard, 26 pre-set keys



Self-service keyboard, 104 pre-set keys



Service keyboard, 74 pre-set keys



The fresh look within the fruit and vegetable department

Quick find pictogram: rapid sales, satisfied customers.

Sales services

- Self-service for the customer and quick service for the operator, counter-service, pre-labelling, inventory data entry, wholesale function
- Label by item, label and total sum ticket, ticket with or without tear-off voucher
- Ticket re-opening
- Network with up to 64 scales
- Up to 16 sales/service groups

Performance

- Info-Vision customer help function
- Commercial vendor text
- Ticket void
- Inventory data entry
- Wide range of tare options
- Wholesale function

Screen display

- 5-line segment display
- Weight 5 digits
- Tare 5 digits
- Unit price 6 digits
- Total price 6 digits
- Text line 16 characters

Sales reports

- Configurable daily sales reports
- 2 turnover levels
- Vendor / scale sales report, department, category, article, price changes, (includ. date and hour) sales report by time period
- Electronic sales journal
- Evaluated sales broken down by amount, weight and item



Keyboard

- Self-service: 26, 52 or 104 keys
- Service: 104 keys, 30 function keys, 74 pre-set keys, freely programmable inscription/picto-pocket (accessory)

Security

- Record of log in and log out of vendors
- Price changes and sales report protected by pin code (password configurable)
- Electronic journal

Memory

- PLU memory with 100 character text, possibility of extension up to 3000 items per scale
- Memory of items, 20 characters by product category, up to 800 in the network, up to 50 per scale in single unit retail
- Choice of up to 16 sales departments
- Commercial text up to 100 characters
- Ingredients up to 300 characters/item
- Price schedule based on quantity
- Journal memory in chronological order
- Up to 99 vendors
- Multiple-department scales

Printer

- Fast graphics thermal printer
- 16 pre-defined and 3 programmable label types
- 20 fonts
- 75 mm/sec printing speed
- Ticket or label printing
- Rapid paper change
- Up to 4 lines each top and bottom
- Clearly printed ticket impression

Interfaces

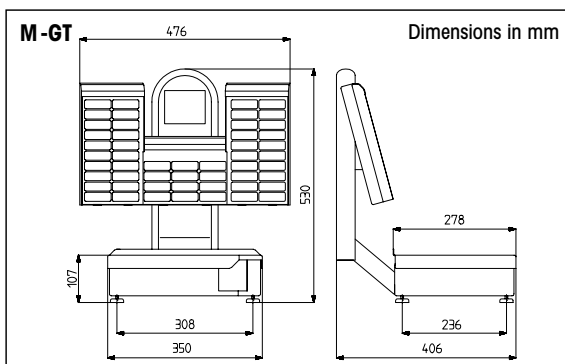
- Serial interface (RS 232)
- Scale network interfaces

Weighing Range

Range:	6 kg	15 kg	3/6 kg	6/15 kg	30 kg
Graduation:	2 g	5 g	1 g / 2g	2g / 5g	5 g
Min. weight*):	40 g	100 g	20 g	40 g	100 g

Automatic return to zero.

*): CE: Print out of less than the minimum weight is possible, but not with pre-labelling function.



D Mettler-Toledo (Albstadt) GmbH
Unter dem Malesfelsen 34
D-72458 Albstadt
Tel. +49 (0) 74 31/14-0
Fax +49 (0) 74 31/14-300

i Internet: <http://www.mt.com>



Quality Certificate

Development, production, testing, sale and service of this scale according to the ISO 9001/EN29001 (certificate DQS/SQS)



CE "Conformité Européenne"

This symbol on our scales and balances provides you with the assurance that these products comply with the EU standards and therefore meet the most exacting standards of quality. In practice it means that you possess a certified scale which you can put to immediate use in EU countries for legal applications.

Specifications subject to change without notice.
© 06/97 Mettler-Toledo (Albstadt) GmbH

Printed in Germany. ME - 00 506 183_A
Printed on recycled paper and is recyclable.

