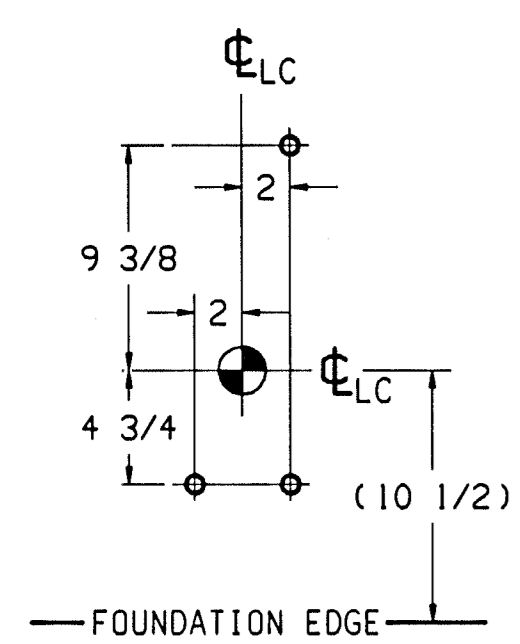


ELEVATION A-A
SCALE 1/50

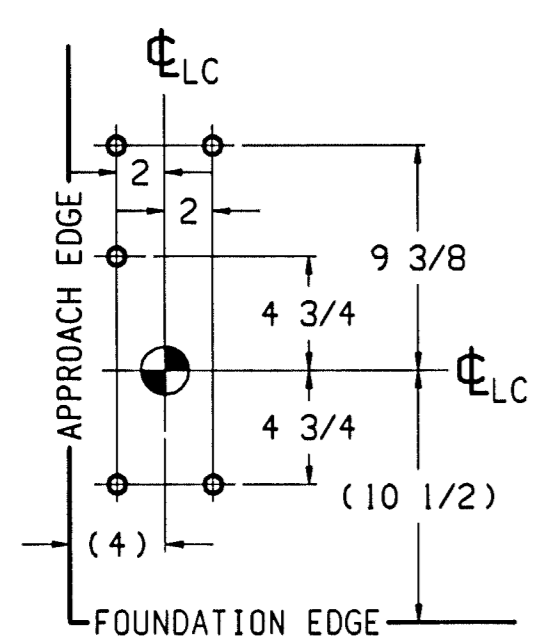
REINFORCING STEEL SCHEDULE (A.S.T.M. A-615 GRADE 60)						
COLD FORM BARS TO INSIDE DIMENSIONS				A/B		
SYM	QTY	SIZE	LOCATION, DIRECTION	A	B	WGT
ST1	36	#6	FOOTERS, LATERAL	11'		596
ST2	4	#5	ENDS, LATERAL	11'		46
	22		APPROACHES, LATERAL			252
ST3	24	#5	APPROACHES, LONG.	9'-6"		238
L1	24	#5	APPROACH TO END TIES	2'-6"	2'-6"	125

MATERIAL SUMMARY* (INCLUDES FOOTERS & APPROACHES)	FOOTER DEPTH: "X" INCHES (24 INCH MINIMUM)				
	24	36	48	60	72
CONCRETE (CU. YDS.)	27	35	44	53	62
REINFORCING STEEL (LBS)	1256				

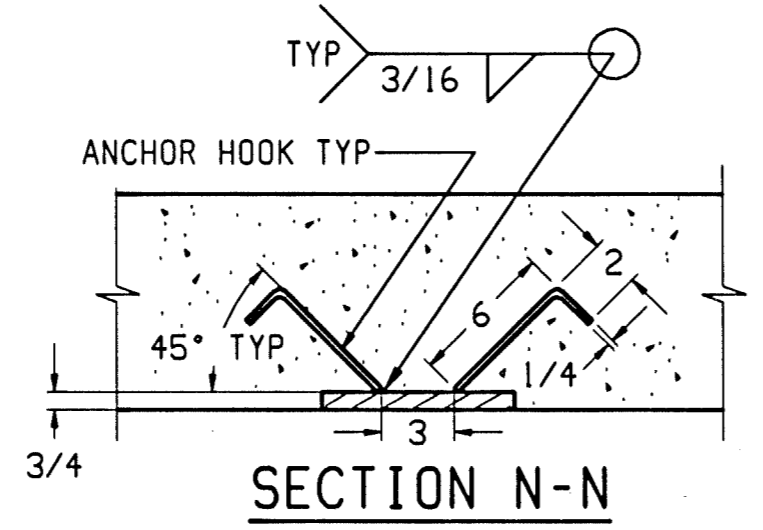
* IF OPTIONAL WASHOUT SLABS ARE USED, ADD:
920 SQ. FT. OF WWF: 6x6-W1.4xW1.4
12 CU. YD. OF CONCRETE.



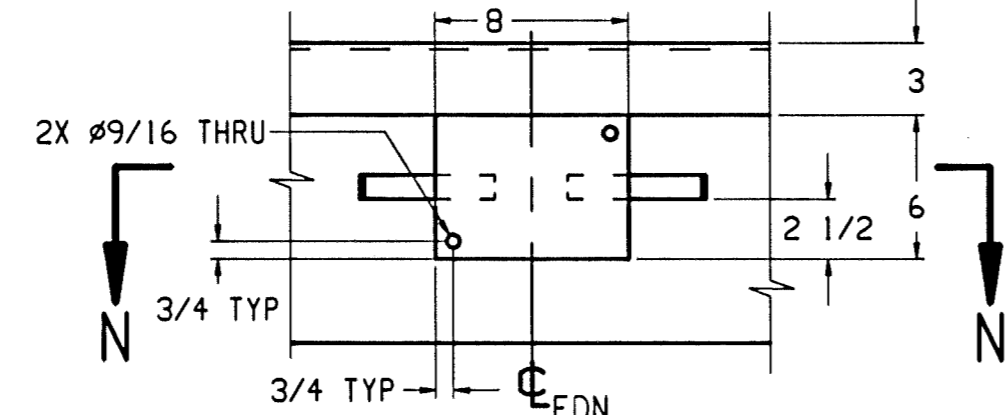
DETAIL "L"
SCALE: 1/8
EXPANSION BOLT LOCATIONS
(OTHER SIDE IS OPPOSITE)
SEE NOTE 6



DETAIL "K"
SCALE: 1/8
EXPANSION BOLT LOCATIONS
(OTHER SIDE IS OPPOSITE)
SEE NOTE 6



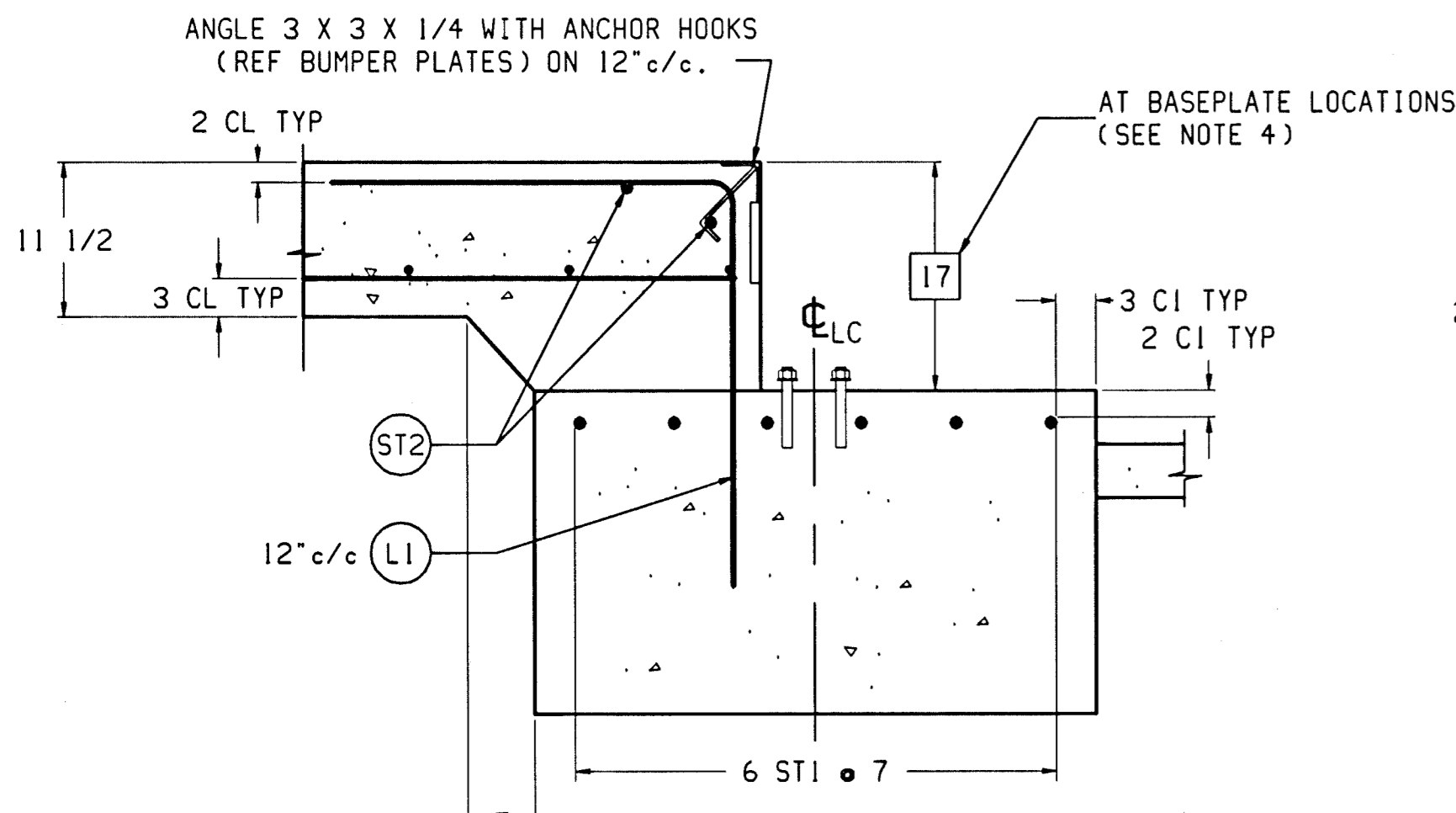
SECTION N-N



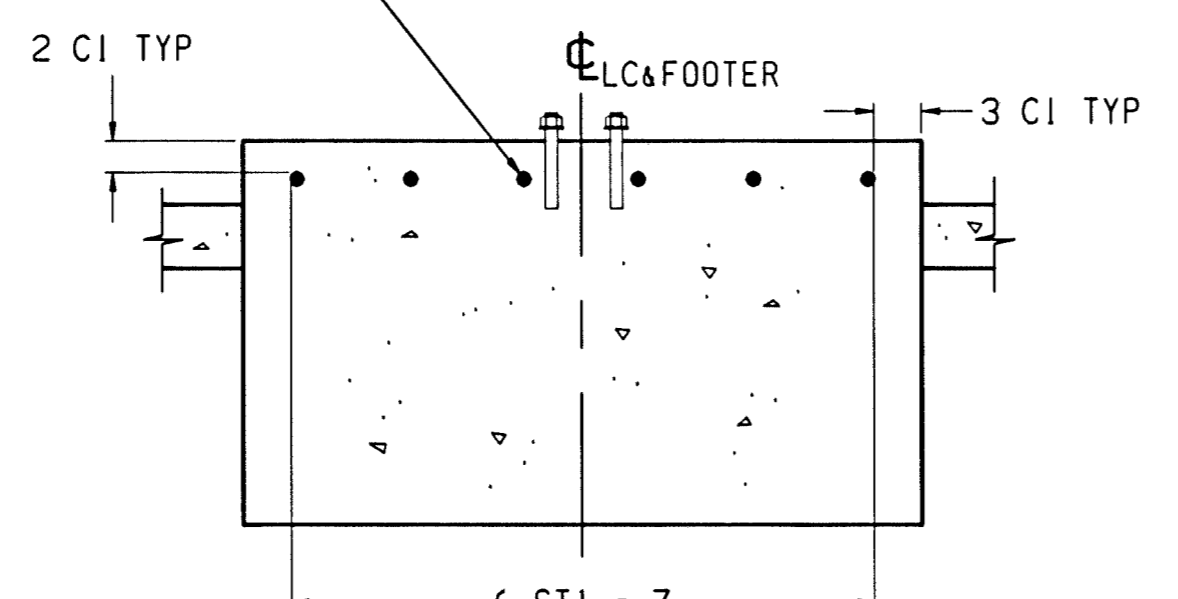
VIEW J-J
SCALE: 1/8

BUMPER PLATE ASSY'S: ONE EACH END.
MATERIAL: H.R. STEEL. (BY OTHERS).

SPACE REBAR TO AVOID EXPANSION BOLTS
(SHOWN FOR REFERENCE, SUPPLIED BY METTLER TOLEDO.)
TYPICAL ALL BASEPLATE LOCATIONS.



SECTION C-C
SCALE 1/12
(TYPICAL END)



SECTION D-D
SCALE 1/12
(TYP SINGLE BASEPLATE FOOTER)

NOTES:

- 1) USE MINIMUM 3000 PSI STRENGTH CONCRETE AT 28 DAYS WITH 5-7% AIR ENTRAINMENT.
- 2) USE MINIMUM 60KSI YIELD DEFORMED REINFORCING STEEL.
- 3) FOUNDATION REQUIRES 2500 PSF RATED SOIL.
- 4) TOP OF CONCRETE AT BASEPLATE LOCATIONS TO BE LEVEL AND IN ONE PLANE ±1/8"
- 5) DIAGONAL MEASUREMENTS ENDWALL TO ENDWALL MUST BE EQUAL WITHIN 1/2".
- 6) BASEPLATE ANCHORS TO BE SUPPLIED BY METTLER TOLEDO. USE BASEPLATES AS TEMPLATES TO LOCATE EXPANSION BOLTS DURING SCALE INSTALLATION.
- 7) RAMP LENGTH: -PER LOCAL REGULATIONS
-1/2" SLOPE PER FOOT TYPICAL
- 8) BOTTOM OF FOOTER MUST BE BELOW LOCAL FROSTLINE. IF LOCAL FROSTLINE IS UNKNOWN, REFER TO DRAWING TA201033 (U.S. WEATHER BUREAU FROST PENETRATION AVERAGES).
- 9) FOOTER HEIGHT "Y" CAN BE VARIED TO SUIT LOCAL REQUIREMENTS. IT IS RECOMMENDED THAT THE TOP OF THE FOOTER BE AT LEAST 3" ABOVE GRADE LEVEL. THIS WILL ALLOW 6" TOTAL CLEARANCE BETWEEN THE SCALE AND WASHOUT SLABS. IF PERMITTED BY LOCAL REGULATIONS, THE FOOTER CAN BE MADE FLUSH WITH GRADE LEVEL IN APPLICATIONS WHERE DEBRIS BUILD UP IS NOT EXPECTED TO BE A PROBLEM.
- 10) OPTIONAL: 6" OF GRAVEL MAY BE USED UNDER APPROACHES TO IMPROVE DRAINAGE.
- 11) CONTRACTOR SUPPLIES:
-EXCAVATION
-REINFORCING STEEL
-CURB ANGLE ASSEMBLIES (SECT C-C)
-CONCRETE AND FORMS
-1 1/2" DIA CONDUIT
-BUMPER PLATE ASSEMBLIES (VIEWS J-J & N-N)

REV	CHANGE	BY	DATE	SCALE	DATE
				SCALE 02	DATE 5/7/99
				DRN MDP	APPD
METTLER TOLEDO					
TITLE 7563 CUSTOM FOUNDATION 100'x11' VARIABLE FOOTER, 20' MODULES					
UNLESS OTHERWISE SPECIFIED, ALL DIMENSIONS ARE IN INCHES, AND DIMENSIONAL TOLERANCES ARE: FRACTIONAL DECIMAL ANGULAR 1/32 .XX ±.02 ±.5" .XXX ±.005					
					TC308406