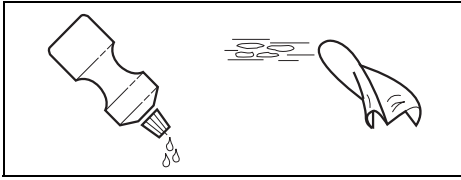
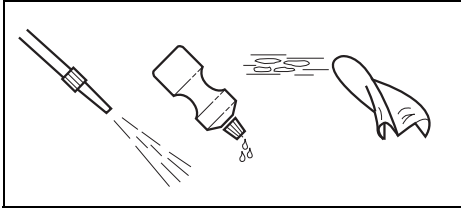


4.1 Cleaning the exterior



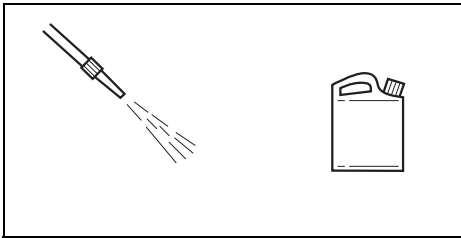
Powder-coated/enamelled version, dry surroundings

- Wipe with a damp cloth.
- Use household cleaning agents.



Stainless-steel version

- Wipe with a damp cloth.
- Water jet up to 60 °C.
- Use household cleaning agents.

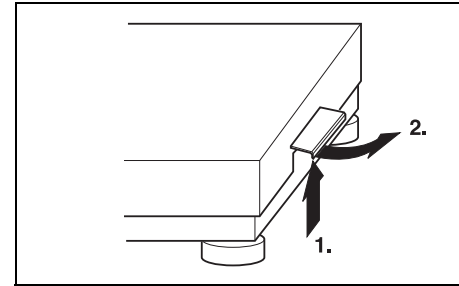


Corrosive surroundings

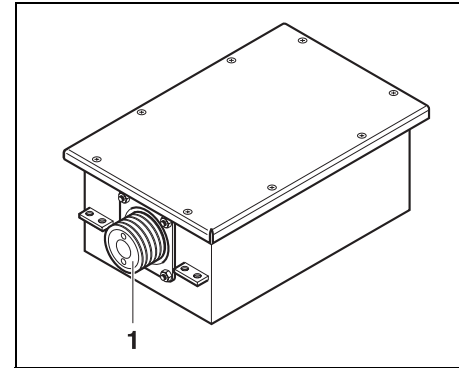
- Water jet up to 60 °C.
- Remove corrosive substances at regular intervals.
- Only use disinfectants and cleaning agents in accordance with the manufacturer's specifications and instructions.

4.2 Cleaning the interior

- Remove dirt and deposits in the interior of the weighing platform at regular intervals. Remove the load plate for this purpose.



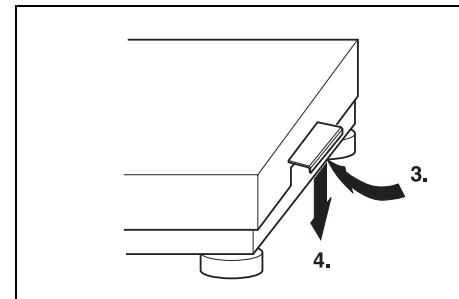
- On KCC..x weighing platforms, remove the load plate by lifting the two side handles vertically (1.) and pivoting outward (2.).



CAUTION

The measuring cell can be damaged!

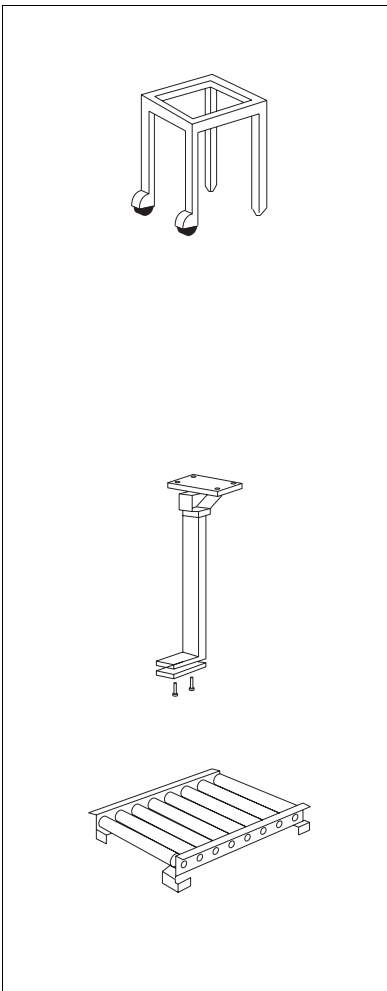
- During cleaning work, never touch, direct an airflow against or spray the rubber diaphragm (1) of the measuring cell.
- Blow out dirt or flush with a medium-power water jet.
- Replace the load plate.



- On KCC..x weighing platforms, after mounting the load plate, swing the handles inward (3.) and reengage in initial position (4.), i.e. the handles must be in the bottom position and vertical.

When the handles are correctly engaged, it should not be possible to lift off the load plate.

5 Standard accessories



Stand

Rigid frame construction
2 feet with casters
1 fixed foot with screw adjustment
height approx. 560 mm

for KB60..x

powder-coated/enamelled
stainless steel

00 503 631
00 503 632

for KCC150..x, KCC300..x

powder-coated/enamelled
stainless steel

00 504 853
00 504 854

Pillar support

for KB60..x, KCC150..x,
KCC300..x
for mounting ID2sx or ID5sx
terminals on stand
incl. fastenings

powder-coated/enamelled
stainless steel

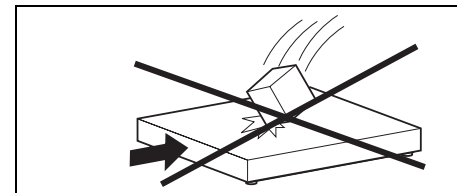
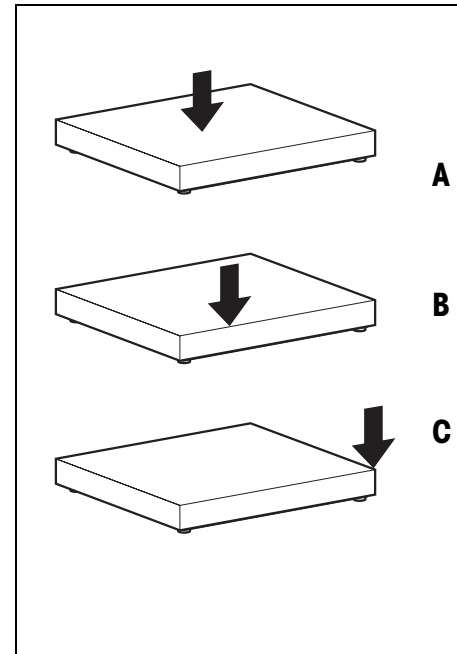
00 504 127
00 504 128

Roller track

Steel-clad rollers with rust
protection, for dry surroundings
lengthwise motion
for KB60..x (8 rollers)
for KCC150..x, KCC300..x
(9 rollers)

00 503 640
00 504 852

Order No.



Maximum permissible load

	KA15sx	KA32sx
A	50 kg	50 kg
B	40 kg	40 kg
C	30 kg	30 kg

	KB60..x	KCC150..x KCC300..x
A	120 kg	500 kg
B	80 kg	300 kg
C	40 kg	150 kg

A with central load

B with side load

C with one-sided corner load

▲ Falling loads, shocks and lateral impacts must be avoided.

4 Cleaning the weighing platform

Maintenance of the weighing platform is limited to regular cleaning. The procedure depends both on the type of surface (powder-coated/enamelled or stainless steel) and on the environmental conditions prevailing at the installation location.

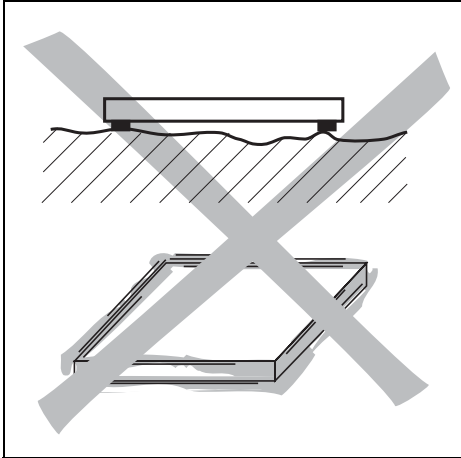


Safety instruction

▲ If there are any specific regulations regarding cleaning in explosion-hazardous areas in your facility, they must be complied with.

2 General

The weighing platform is part of a modular system. The associated components, such as terminals, application pacs and the extensive range of accessories, allow you to assemble a weighing system ideally tailored to the needs of your operation.



Selecting installation location

- ▲ The foundation must be capable of safely support the weight of the weighing platform at its support points when it carries the maximum load. At the same time, it should be so stable that no vibrations occur during weighing operations. These requirements also apply when the weighing platform is integrated in conveying systems and the like.
- ▲ Ensure that vibrations due to machines near the installation site are kept to a minimum.

Ambient conditions

- ▲ Use powder-coated/enamelled weighing platforms only in a dry environment.
- ▲ In a damp environment, in wet operation or when working with chemicals: use stainless-steel or hot-galvanised weighing platforms.

3 Operating limits

The weighing platform has such a rugged design that no damage should result if the maximum weighing capacity is occasionally exceeded.

The static load-bearing capacity, i.e. the maximum permissible load, is dependent on the type of loading (Positions A – C).

6 Technical data of the measuring cell

	CENELEC	FM
Ignition protection type	II 2GD –10 °C ≤ T _a ≤ +40 °C	Class I, II, III Division 1 Group A – G
IP protection type	IP66/67	

1 Safety instructions



There is an increased risk of injury and damage when the explosionproof K...x weighing platforms are used in a potentially explosive atmosphere.

Special care must be taken when working in such hazardous areas. The code of practice is oriented to the "Safe Distribution" concept drawn up by METTLER TOLEDO.

Competence

- ▲ The K...x weighing platforms may only be installed, maintained and repaired by authorized METTLER TOLEDO service personnel.

Ex approval

- ▲ No modifications may be made to the weighing platforms and no repair work may be performed on the modules. Any weighing platform or system modules that are used must comply with the specifications contained in the guide for installers. Non-compliant equipment jeopardizes the intrinsic safety of the system, cancels the Ex approval and renders any warranty or product liability claims null and void.
- ▲ The safety of a weighing system including the K...x weighing platforms is only guaranteed when the weighing system is operated, installed and maintained in accordance with the respective instructions.
- ▲ Also comply with the following:
 - the instructions for the system modules,
 - the relevant national regulations and standards,
 - the applicable statutory requirements for electrical equipment installed in hazardous atmospheres in the respective country,
 - all instructions related to safety issued by the operator.
- ▲ The explosion-protected weighing system must be checked to ensure compliance with the requirements for safety before being put into service for the first time, following any service work and every 3 years, at least.

Operation

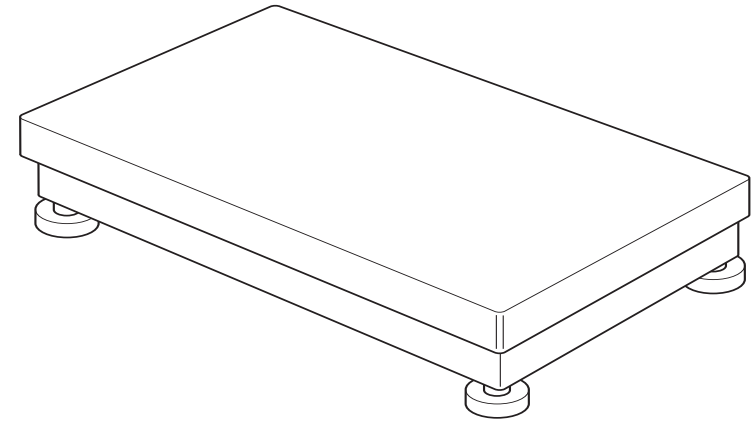
- ▲ Prevent the build-up of static electricity. Always wear suitable working clothes when operating or performing service work on the system.
- ▲ Never use protective hoods.
- ▲ Remove any protective film from the load plate before the initial start-up.
- ▲ Avoid causing damage to the weighing platforms.

Operating instructions

METTLER TOLEDO MultiRange
Table and stand scales
for hazardous areas

METTLER TOLEDO

KA15s-T4/KA32s-T4
KB60..x-T4/KCC150..x-T4/KCC300..x-T4



22006731A

Subject to technical changes © Mettler-Toledo (Albstadt) GmbH 04/04 Printed in Germany 22006731A

Mettler-Toledo (Albstadt) GmbH

D-72458 Albstadt

Tel. ++49-7431-14 0, Fax ++49-7431-14 232

Internet: <http://www.mt.com>

