

Automatic labelling for medium applications



Unique interface

All the Etica products have an exceptionally intuitive graphical interface. The icons are easy to learn and the menus simply guide operators through processes quickly.



Comprehensive

The extensive configurable weigh-price labelling features of the Etica product line meet every need. There are almost no limits with the Etica's simple, yet comprehensive, PLU, order and label management system.



Industrial printing

A large label roll, quick - simple roll changes and automatic label apply system assure high quality label for every item.

The printer unit can be manually slid back and forth to adapt label positioning to size of the product being labelled. A graduated scale makes it easy to locate proper printing position.



Item positioning

The distinctive angled conveyor alignment belts guide the item into the correct position for labelling, eliminating the need for additional item steering equipment.



Etica 2420/4420

The Etica 2420/4420 are automatic weigh price labellers for heavy duty retail applications, reaching capacities of 35 pieces per minute.

As part of the Etica line of products, they share the common human machine interface with the other Etica products. Operators effortlessly use the „intuitive“ icons and menus to set up the PLUs and design labels. Required changes are completed with just a few presses of the touch screen display.

The printer places the labels softly on the product, with a soft touch tamping system who require no external air pressure.

The Etica 2420/4420 are designed to follow wrapping solutions, and bring an independent solution in a small foot print.

Technical data

Etica 2420/4420

For medium automatic applications

Application features

Up to 30 000 PLU items.
10 000 characters per ingredient list per PLU
255 tares, 4 programmable dates
3 levels of PLU classification
(departments, families, and groups)
Weight and tare up to 5 characters
Price per article up to 8 characters
Printed payment price up to 9 characters
Libraries for texts, ingredients, and label layouts
Integrated label editor
On screen help messages
Tracing incoming items with automatic barcode entry
Effortless handling of a large amount of text through full screen display
Simple on screen methods for handling article re-labelling, loss, return and cancellation
Modes include variable weight/price, fixed weight, fixed price as well as no weight
Multiple country prices and languages
Printing of labels with manual fixed weight entry
Printing and reading of barcodes EAN8, 13, 14, codes 39, 93, 128, ITF, UPC-A, UPC-E and 2/5 interleaved, EAN128 and PDF417

Data Management

Advanced statistical functions
Configurable reporting capabilities
Event logs

User interface

Intuitive programming through graphical display
40 or 79 keys + integrated virtual keyboard
Keyboard ergonomically oriented towards user
10.4" touch screen SVGA TFT color display or 5.7" VGA color display

Data storage and memory

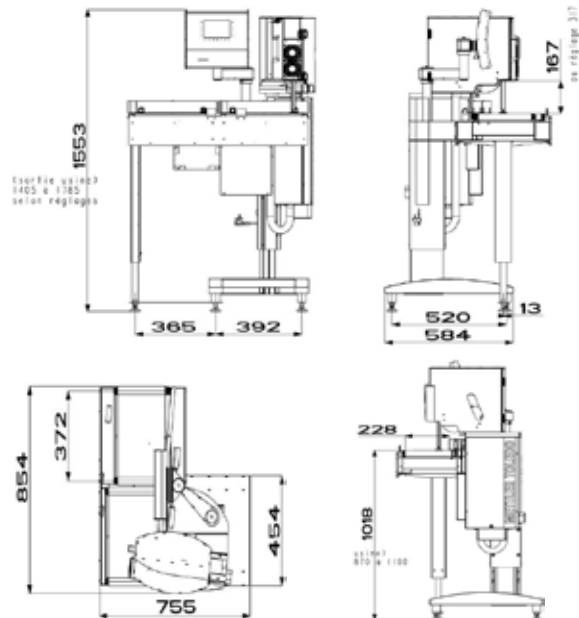
512MB or 256MB RAM (Etica 2420)
40GB Mass Storage or 256MB Compact Flash
Limitless number of logos and label definitions

Interfaces and host communication

Interfaces: RS232, Ethernet (10baseT) TCP/IP, 2 x USB and RS485 (optional)
Host communication (batch) through METTLER TOLEDO ETITRANS

Security

Menus password protected
Data security by storing data on a remote device
Level defined operator passwords



Weight	Precision	Min. Weight
6/12kg	2/5g	40g

Tare compensation on all the ranges

Tray size	Max. 320x260mm	
Label size	Min. 60x60mm	Max. 80x80mm
Conveyor speed	36m/s	

Printing

Up to 35 labels per min. Cycle time depends on size of label, number of characters, graphics printed as well as operator capabilities
Label applied by a pneumatic stamp application
Thermal direct (125mm/sec)
Air suction system holds label in place prior to application
Support Windows® fonts
Support for various fonts and character sets (Cyrillic, Arabic, Chinese, Greek)
Printing of multiple logos
Label size max. 80x80mm
Printable width 72mm
Multi-directional printing
Maximum role diameter 225mm
Paper role support 76mm
Connection to external printers

Options include:

Interface RS485
External printers
Hand held barcode readers



Quality certificate ISO9001
Environment certificate ISO14001
Internet: <http://www.mt.com>
Worldwide service

Subject to technical changes
© 11/2007 Mettler-Toledo EPEC
Printed in Germany
Ref: 292 30 592 - v1.0

www.mt.com/retail

For more information