

MODULE COMBINATIONS					DIMENSIONAL CHART						
SCALE SIZE	FIRST REF "D" DIM	MIDDLE REF "E" DIM	MIDDLE REF "F" DIM	TERMINAL REF "G" DIM	"A" FDN LENGTH	"B" OVERALL LENGTH	"C"	"D"	"E"	"F"	"G"
60'	15'	15'	15'	15'	60'-2"	60'-1"	59'-6"	14'-10 1/2"	14'-10 1/2"	14'-10 1/2"	14'-10 1/2"
65'	17.5'	15'	15'	17.5'	65'-2"	65'-1"	64'-6"	17'-4 1/2"	14'-10 1/2"	14'-10 1/2"	17'-4 1/2"
67.5'	17.5'	15'	17.5'	17.5'	67'-8"	67'-7"	67'-0"	17'-4 1/2"	14'-10 1/2"	17'-4 1/2"	17'-4 1/2"
70'	17.5'	17.5'	17.5'	17.5'	70'-2"	70'-1"	69'-6"	17'-4 1/2"	17'-4 1/2"	17'-4 1/2"	17'-4 1/2"

NOTES:

1. FOUNDATION LENGTH DIMENSION SHOWN IS NOMINAL. ACTUAL TOLERANCE IS -0 +1"
2. THE MODULE SUFFIX IS USED TO DESIGNATE MODULE ASSEMBLY, HARDWARE AND WIRING CONFIGURATION. HAZARDOUS CONFIGURATION IN PARENTHESIS
3. APPLY LOCTITE #242 TO ALL GAP COVER BOLTS
4. APPLY A 1/4" BEAD OF DIELECTRIC COMPOUND IN THE MALE CONNECTOR OF POWER CELL BEFORE FINAL CONNECTION.
5. IF DIELECTRIC COMPOUND BECOMES CONTAMINATED, CLEAN CONNECTOR WITH TB202627 CONNECTOR CLEANER. REAPPLY NEW COMPOUND TO THE CONNECTOR.

CONCRETE NOTES:

1. USE 4000 PSI CONCRETE AT 28 DAY AGE. AIR ENTRAINMENT SHALL BE 5%-7%. MAXIMUM AGGREGATE SIZE IS 3/4". MAXIMUM SLUMP AS PLACED SHALL BE 4".
2. CONCRETE SHALL BE DIRECT CHUTE PLACED AND THOROUGHLY CONSOLIDATED USING A SPUD TYPE VIBRATOR.
3. USE OF CALCIUM CHLORIDE ADMIXTURE IS NOT PERMITTED.
4. AFTER FINISHING, A STYRENE BUTADIENE TYPE (30% SOLIDS MIN) CURING COMPOUND SHALL BE APPLIED. EXAMPLES: SUPER FLOOR COAT OR SUPER PLOICURE BY EUCLID; MASTER SEAL 66 BY MASTER BUILDERS.
5. REFER TO METTLER TOLEDO SPECIFICATION TN201832 FOR FURTHER INFORMATION.
6. ESTIMATED CONCRETE PER MODULE IN CUBIC YARDS. (REF ONLY)
15' X 11' = 3.8 17'6 X 11' = 4.5

NOTES FOR HAZARDOUS AREA WIRING:

1. THE HAZARDOUS AREA WIRING AND LIGHTNING PROTECTION KIT IS SPECIFIC FOR THE SUPPLY VOLTAGE AND THE INDICATOR USED. IT MUST BE INCLUDED FOR INTRINSICALLY SAFE COMPLIANCE IN HAZARDOUS LOCATIONS.

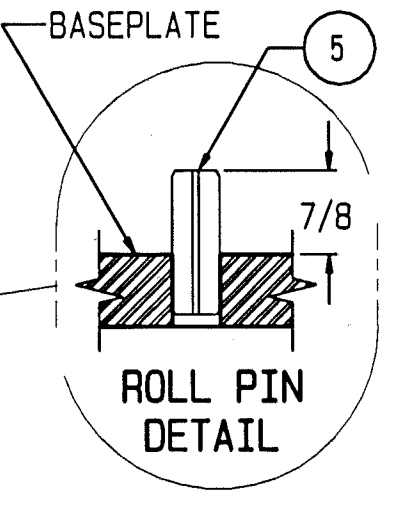
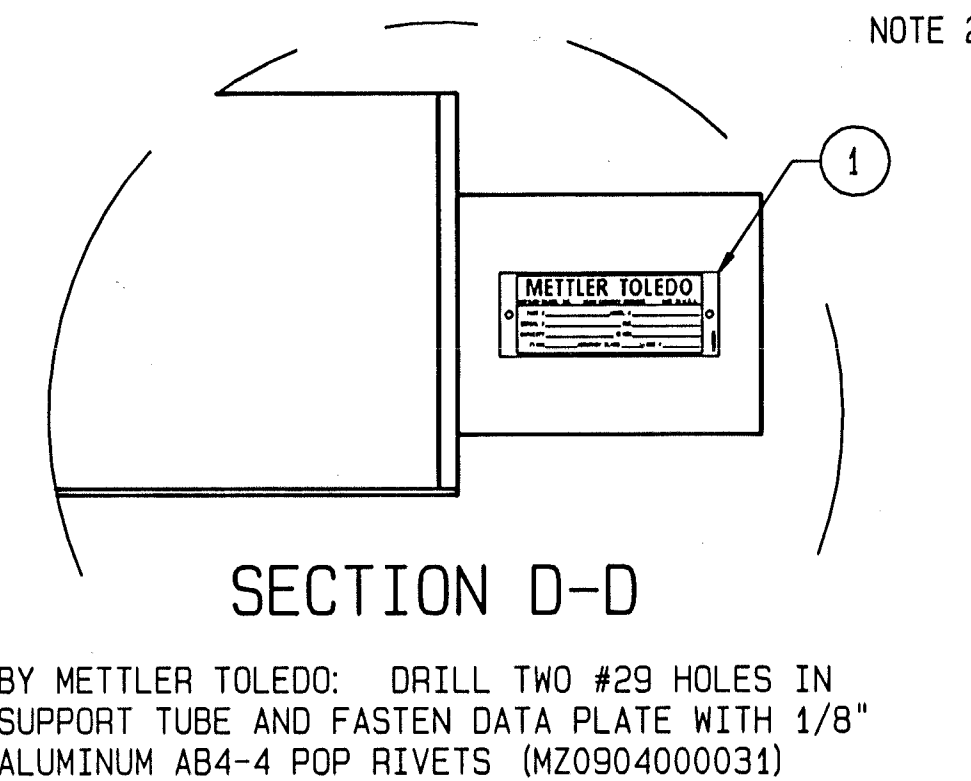
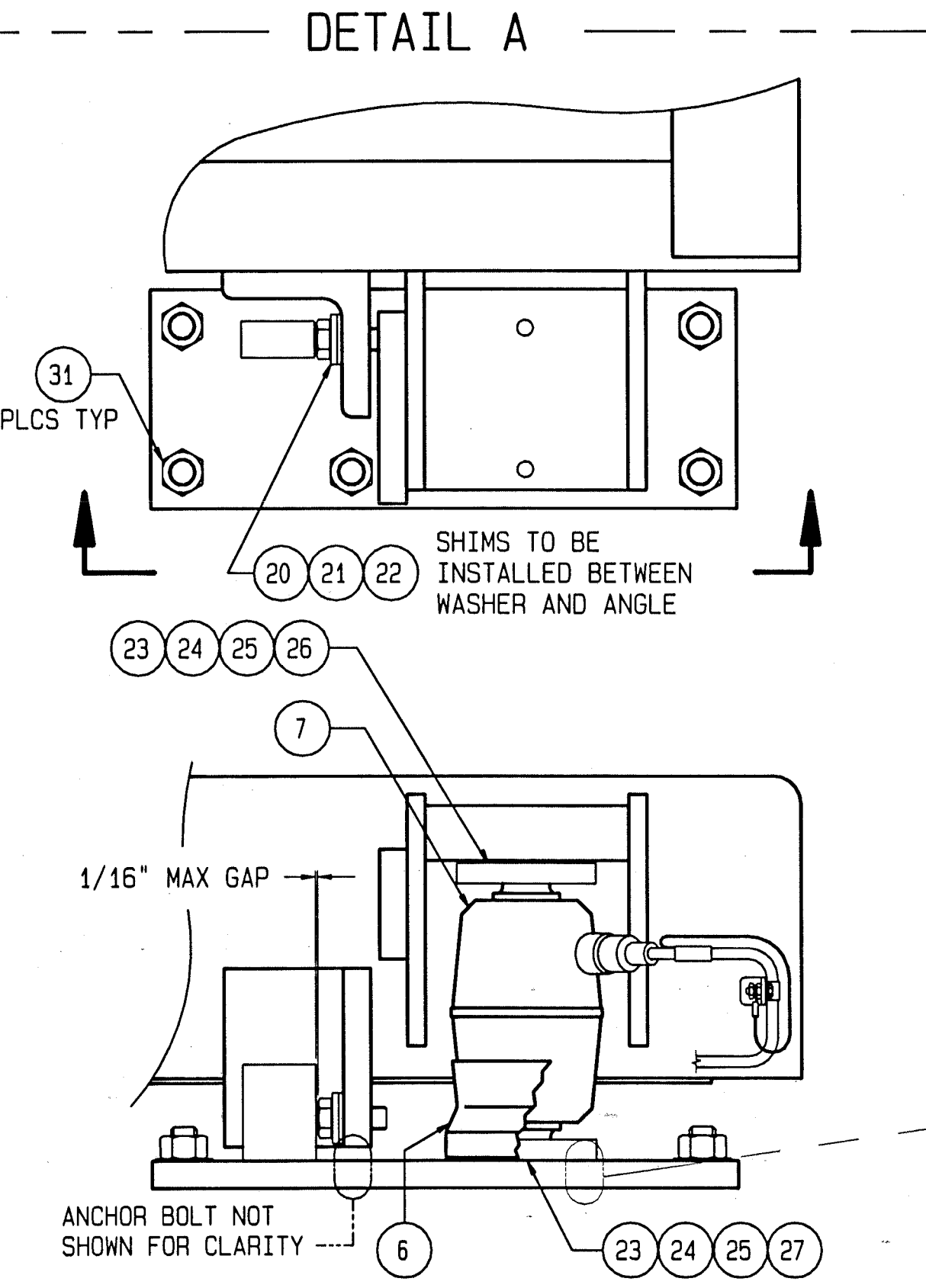
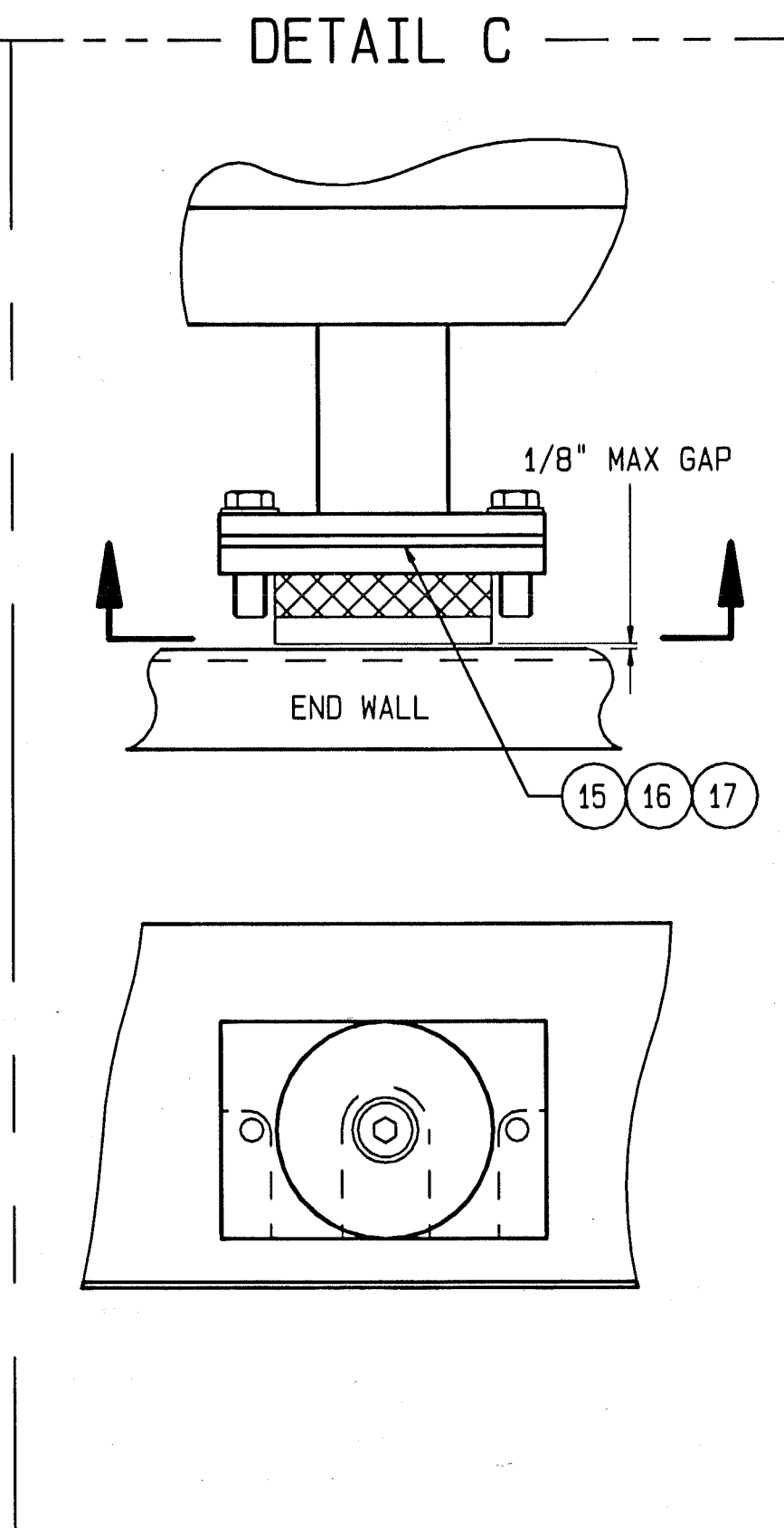
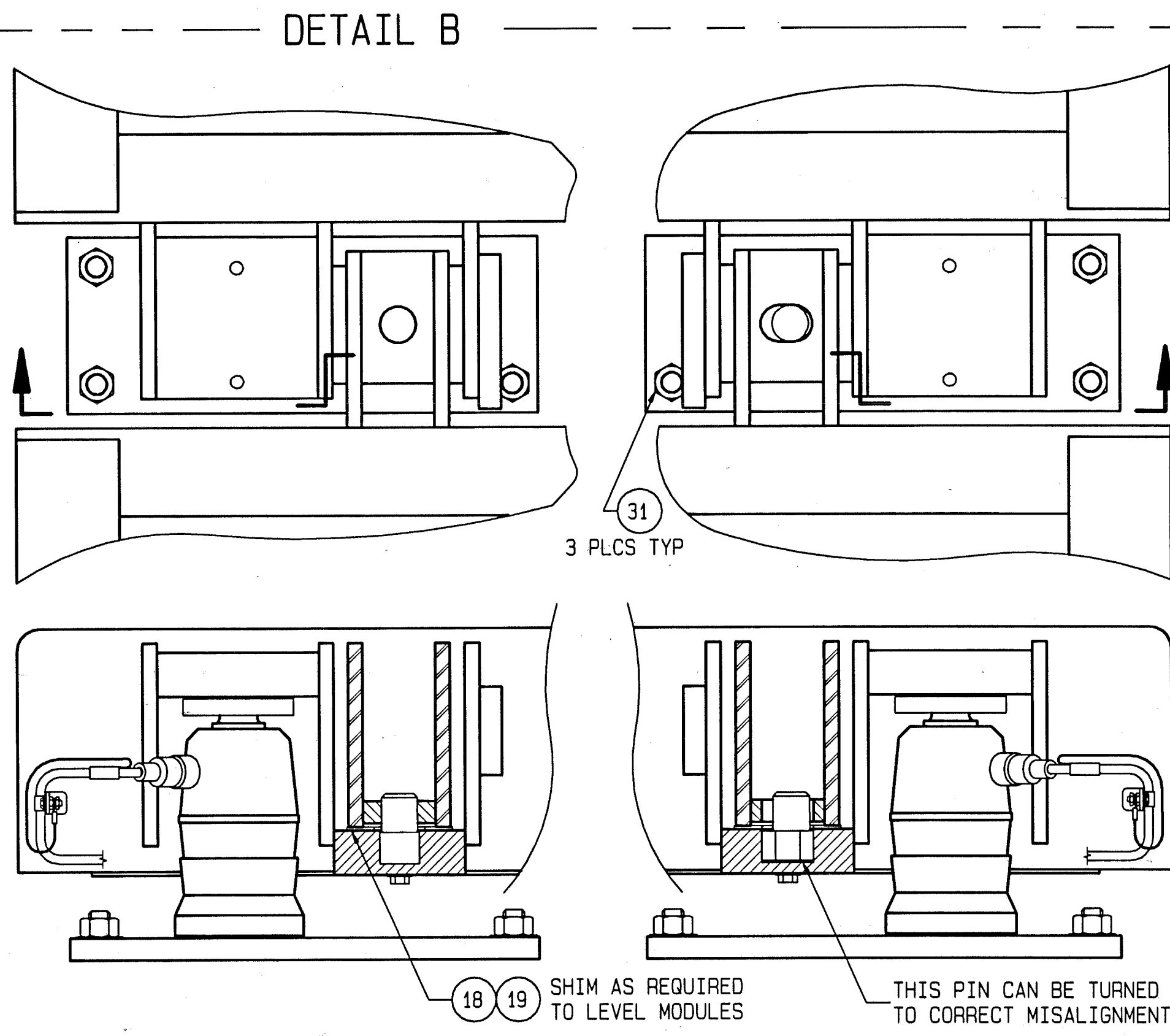
IMPORTANT:
THE INTERIOR SURFACE OF ALL LOAD CELL RECEIVERS (BOTH TOP AND BOTTOM) MUST BE GREASED WITH TN203217 DURING CELL INSTALLATION.

34	16	MZ0909000043	CAPLUG; RED, #16 (FOR SIDE LFTG HOLES)
33	8	MZ0909000031	CAPLUG; RED, #19 (FOR ENDPATE HOLES)
32	2	TN203217	LUBRICANT, LOADCELL-RECEIVER
31	38	TN203216	ANCHOR BOLT
30	1	TN203056	CONNECTOR DIELECTRIC COMPOUND
29	1	TB202627	CONNECTOR CLEANER
28	1	MZ0602000117	LOCTITE #242 THREADLOCKER
27	10	TA200814	BOTTOM HEX RECEIVER
26	10	TA200764	TOP RECEIVER WITH O-RING
25	10	TA200712-3	RECEIVER SHIM 7 GA (.180)
24	20	TA200712-2	RECEIVER SHIM 16 GA (.062)
23	20	TA200712-1	RECEIVER SHIM 11 GA (.125)
22	4	TA200357-3	SLOTTED SHIM 22 GA (.031)
21	4	TA200357-2	SLOTTED SHIM 16 GA (.062)
20	4	TA200357-1	SLOTTED SHIM 11 GA (.125)
19	3	TA200864-2	COUPLER SHIM 16 GA (.062)
18	3	TA200864-1	COUPLER SHIM 11 GA (.125)
17	2	TA200856-3	END BUMPER SHIM 16 GA (.062)
16	2	TA200856-2	END BUMPER SHIM 11 GA (.125)
15	3	TA200856-1	END BUMPER SHIM 1/4"

ITEM	QTY	PART NUMBER	DESCRIPTION
HARDWARE KIT OF PARTS: TC204634-1			

--	1	TC204634-1	HARDWARE KIT OF PARTS
12	1	TN204138 TN204213	STANDARD TOUCH-UP PAINT PREMIUM TOUCH-UP PAINT
11	1	REF COOD SUFFIX REF COOG SUFFIX	STANDARD WIRING TERMINAL MODULE HAZARDOUS WIRING TERMINAL MODULE
10	1	REF COOC SUFFIX REF COOH SUFFIX	STANDARD WIRING MIDDLE MODULE HAZARDOUS WIRING MIDDLE MODULE
9	1	REF COOB SUFFIX REF COOF SUFFIX	STANDARD WIRING MIDDLE MODULE HAZARDOUS WIRING MIDDLE MODULE
8	1	REF COOA SUFFIX REF COOF SUFFIX	STANDARD WIRING FIRST MODULE HAZARDOUS WIRING FIRST MODULE
7	10	*14002500A *15476400A	MODEL 760 POWERCELL 22.5t CAPACITY MTX LOAD CELL 25mt CAPACITY
6	10	TN203173 TN203705	TN203173 GASKET (WITH 760 POWERCELL) TN203705 BOOT (WITH MTX LOAD CELL)
5	10	MZ0904000063	Ø 1/2 ROLL PIN, 1 1/2 LONG
4	2	TB200929-4	BUMPER BASEPLATE RIGHT
3	2	TB200929-3	BUMPER BASEPLATE LEFT
2	6	TB200929-2	BASEPLATE
1	1	MN31004	DATA PLATE

ITEM	QTY	PART NUMBER	DESCRIPTION
MAJOR BILL OF MATERIAL			
* LETTER PREFIX SUBJECT TO CHANGE			



REV	CHANGE	BY	DATE	SCALE	DATE	APP'D	REV
A	CHANGED MOD 3 HAZ WIRING FROM J TO G	ELD	08/08/00	.25	06/29/00		
B	ITEM 12 P/N WAS TN204241 FOR STANDARD PAINT	HEW	01/03/01				

METTLER TOLEDO

TITLE 7560 C/D GENERAL LAYOUT
4 MODULE SCALE

UNLESS OTHERWISE SPECIFIED, ALL DIMENSIONS ARE IN INCHES, AND DIMENSIONAL TOLERANCES ARE:
FRACTIONAL .XX ±.02
DECIMAL .XX ±.02
ANGULAR .5°

TC204634 REV B