

NOTES:

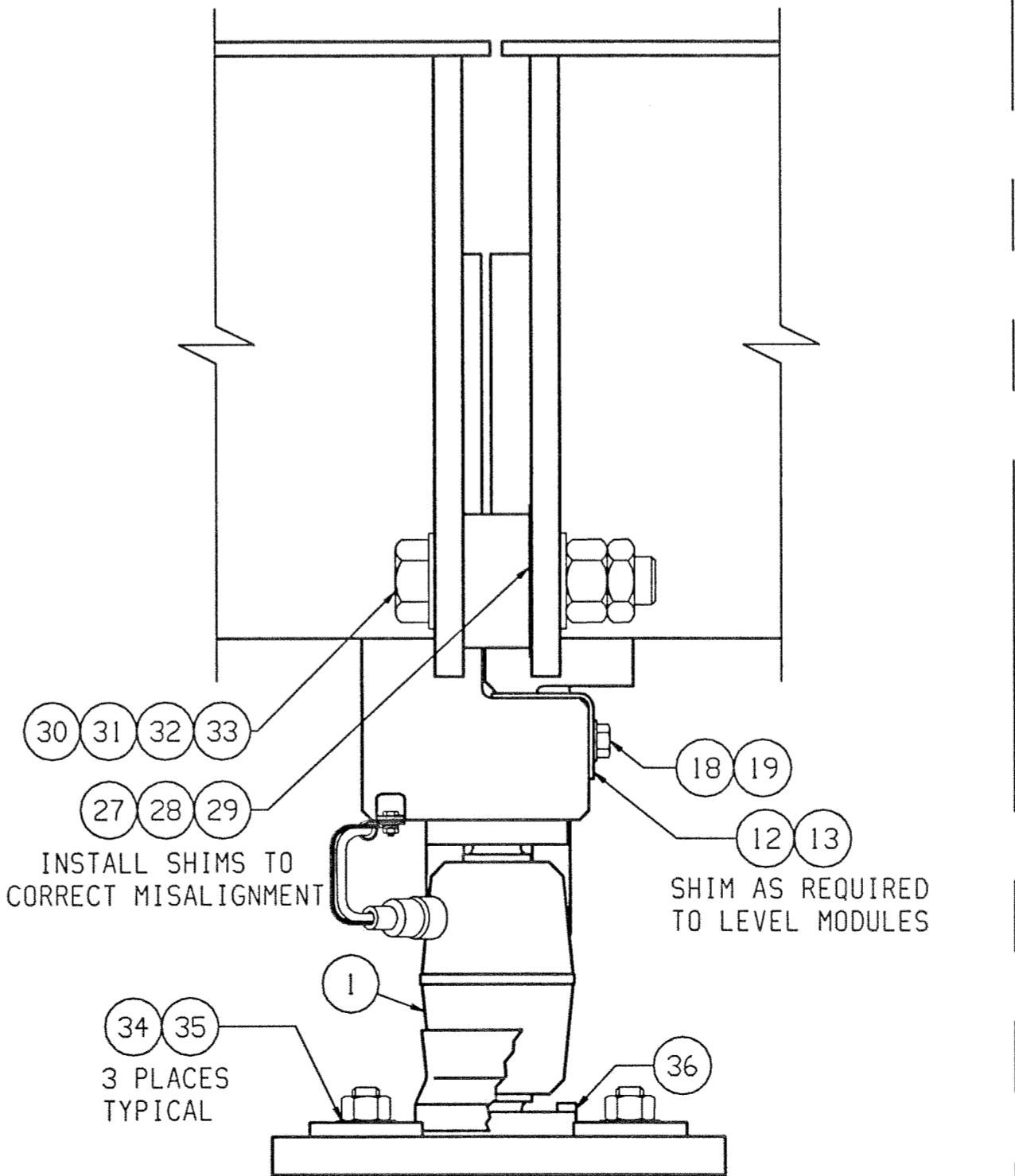
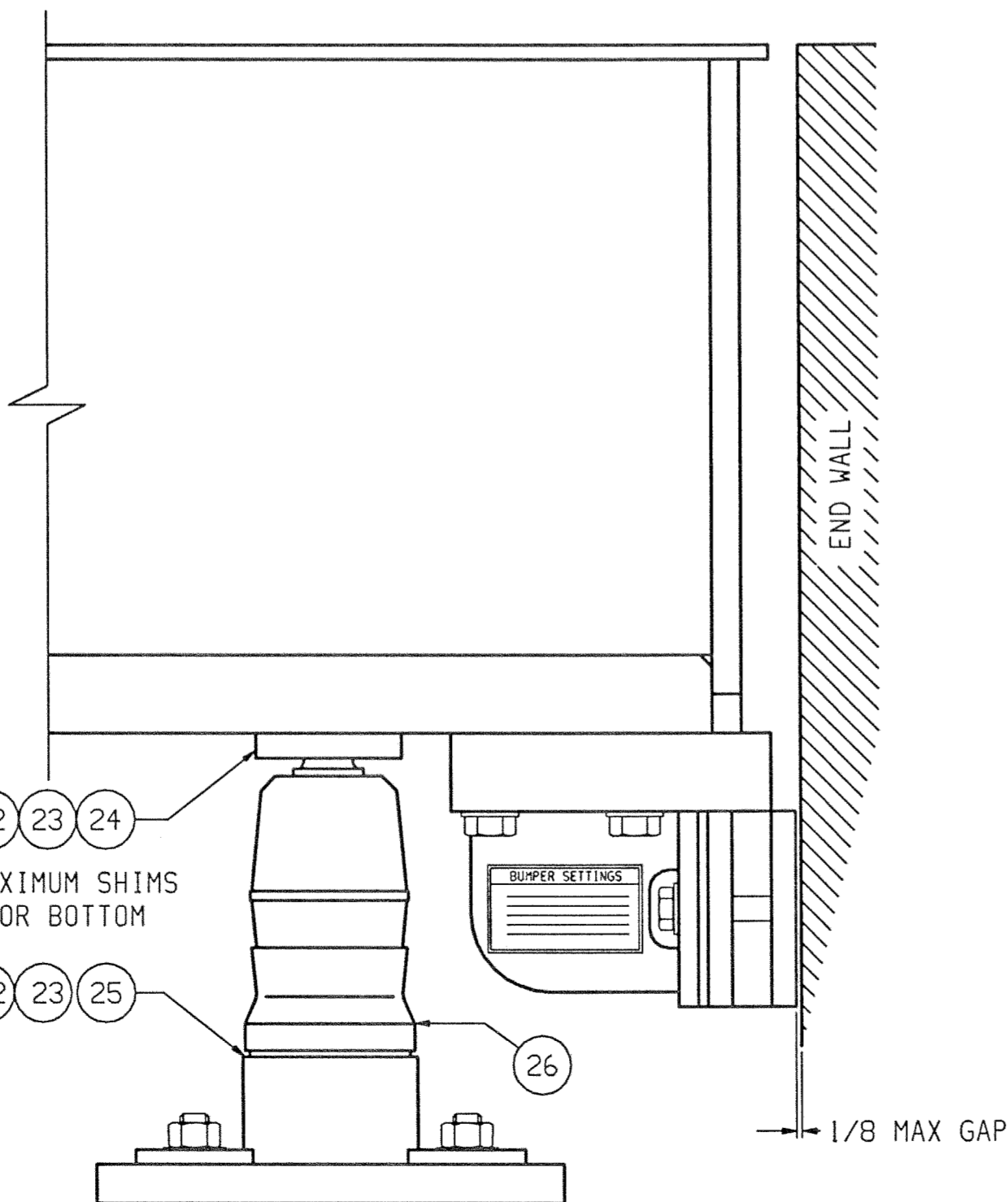
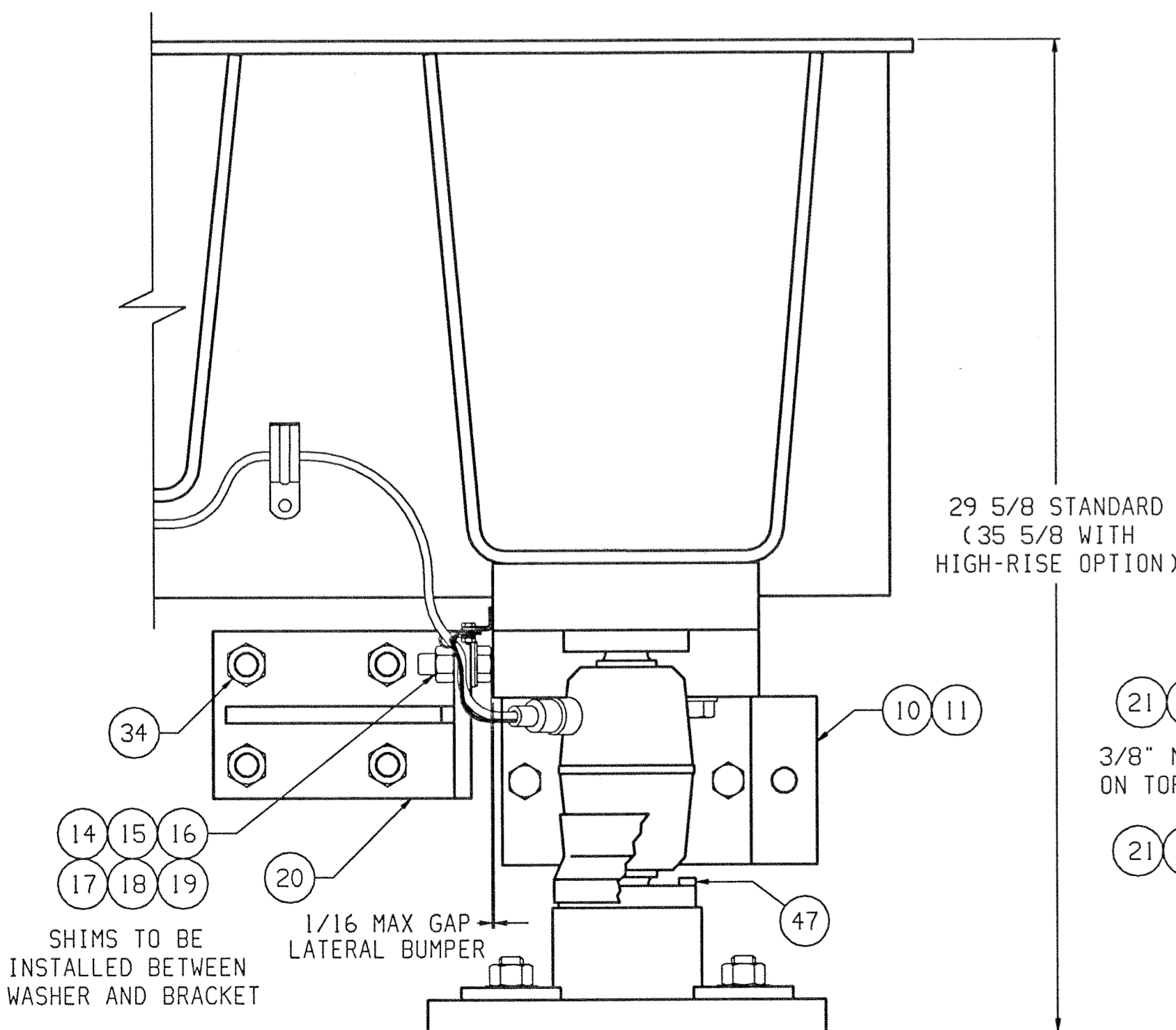
1. DIMENSION SHOWN IS NOMINAL. ACTUAL TOLERANCE IS $-0 \pm .1$ ".
2. APPLY LOCTITE #242 TO ALL ENDPLATE BOLTS.
3. APPLY A 1/4" BEAD OF DIELECTRIC COMPOUND IN THE MALE CONNECTOR OF LOAD CELL BEFORE FINAL CONNECTION.
4. IF DIELECTRIC COMPOUND BECOMES CONTAMINATED, CLEAN CONNECTOR WITH TB202627 CONNECTOR CLEANER. REAPPLY NEW COMPOUND TO THE CONNECTOR.

MODULE COMBINATIONS					DIMENSIONAL CHART						
SCALE SIZE	FIRST "D" DIM	MIDDLE "E" DIM	MIDDLE "F" DIM	TERMINAL "G" DIM	"A" FDN LENGTH	"B" OVERALL LENGTH	"C"	"D"	"E"	"F"	"G"
80'	20'	20'	20'	20'	80'-2 1/4"	80'-3/4"	78'-2"	19'-3/4"	20'-1/4"	20'-1/4"	19'-3/4"
70'	17.5'	17.5'	17.5'	17.5'	70'-2 1/4"	70'-3/4"	68'-2"	16'-6 3/4"	17'-6 1/4"	17'-6 1/4"	16'-6 3/4"

ITEM	QTY	PART NUMBER	DESCRIPTION
41	1	TB202627	CONNECTOR CLEANER
40	1	TN203056	CONNECTOR DIELECTRIC COMPOUND
39	1	MZ0602000117	LOCTITE #242 THREADLOCKER
38	1	TN203218	TOUCHUP PAINT KIT
37	2	TN203217	LUBRICANT, LOADCELL-RECEIVER
36	10	MZ0904000063	ROLL PIN
35	30	TN203761	BASEPLATE WASHER
34	46	TN203216	ANCHOR BOLT
33	6	MZ0901020019	1 1/4-7 NUT,JAM.ZN
32	12	MZ0901030015	1 1/4 WASHER,ZN
31	6	MZ0901020048	1 1/4-7 NUT,Gr8.ZN
30	6	MZ0901010507	1 1/4-7 x 6-1/2 HHCS,Gr5.ZN
29	6	TN203743-3	ENDPLATE SHIM 1/4
28	6	TN203743-2	ENDPLATE SHIM 11 GA
27	6	TN203743-1	ENDPLATE SHIM 16 GA
26	10	TN203705	BOOT
25	10	TA205337	BOTTOM RECEIVER
24	10	TA205945	TOP RECEIVER WITH 0-RING
23	10	TA200833-3	RECEIVER SHIM 7 GA
22	10	TA200833-2	RECEIVER SHIM 16 GA
21	10	TA200833-1	RECEIVER SHIM 11 GA
20	4	TA203748	LATERAL BUMPER
19	4	MZ0901020025	5/8 NUT,SS
18	4	MZ0901010506	5/8-11x1-3/4 HHCS,A325.ZN
17	4	MZ0901030062	5/8,WASHER,F436
16	4	TA200357-3	SLOTTED SHIM 22 GA (.031)
15	4	TA200357-2	SLOTTED SHIM 16 GA (.062)
14	8	TA200357-1	SLOTTED SHIM 11 GA (.125)
13	6	TA203759-2	COUPLER SHIM 11 GA (.125)
12	6	TA203759-1	COUPLER SHIM 1/4"
11	4	TA203755-3	END BUMPER SHIM 16 GA (.062)
10	4	TA203755-2	END BUMPER SHIM 11 GA (.125)

DETAIL A

DETAIL B



IMPORTANT
 INTERIOR SURFACE OF ALL POWERCELL RECEIVERS (BOTH TOP AND BOTTOM) MUST BE GREASED WITH TN203217 DURING CELL INSTALLATION.

KIT OF PARTS: TC203773-1

ITEM	QTY	PART NUMBER	DESCRIPTION
8	1	TC203773-1	HARDWARE KIT OF PARTS
7	1	TC203956-1	TERMINAL MODULE (17.5')
		TC203890-1	TERMINAL MODULE (20')
6	2	TC203955	MIDDLE MODULE (17.5')
		TC203889	MIDDLE MODULE (20')
5	-	TC203954-**	FIRST MODULE (17.5')
		TC203888-**	FIRST MODULE (20')
4	1	TC203954-1	FIRST MODULE W/DATA PLATE (17.5')
		TC203888-1	FIRST MODULE W/DATA PLATE (20')
3	6	TA203765-1	BASEPLATE-MIDDLE (HIGH-RISE OPTION)
		TA203762	BASEPLATE-MIDDLE
2	4	TA203765-2	BASEPLATE-END (HIGH-RISE OPTION)
		TA203765	BASEPLATE-END
1	10	*15475900A	LOAD CELL, MTX, 45m+ CAPACITY

MAJOR BILL OF MATERIAL

- *LETTER PREFIX SUBJECT TO CHANGE
- **SUFFIX IS DETERMINED BY TYPE OF WIRING.
- 1 INDICATES THAT A DATA PLATE IS PRESENT.
- 2 INDICATES NO DATA PLATE.

REV	CHANGE	BY	DATE	SCALE	DATE
A	ADDED 70" CONFIGURATION	SEH	3/29/99	.25	1/27/99
B	CHG'D TO MTX CELLS & ADDED BASEPLATE OPTION	SEH	4/7/99		DRN SEH APPD
C	ITEM 26 WAS TN203173	DAH	5/13/99		
D	ITEM 24 WAS TA200835, ITEM 25 WAS TA200830	PAM	07/30/03		

UNLESS OTHERWISE SPECIFIED, ALL DIMENSIONS ARE IN INCHES, AND DIMENSIONAL TOLERANCES ARE:
 FRACTIONAL .XX ±.02 ANGULAR ±.5°
 DECIMAL .XXX ±.005

METTLER TOLEDO
 TITLE 7566, 4-MODULE, SINGLE WIDE, 11'-10, SCALE INSTALLATION

THIS PRINT IS FURNISHED WITH THE UNDERSTANDING THAT THE ESSENCE THEREOF WILL NOT BE REPRODUCED IN WHOLE OR IN PART WITHOUT WRITTEN AUTHORIZATION OF METTLER-TOLEDO, INC. ALL DESIGNS ARE THE PROPERTY OF METTLER-TOLEDO, INC. AND WILL BE PROTECTED BY PATENTS.

TC203773 REV D