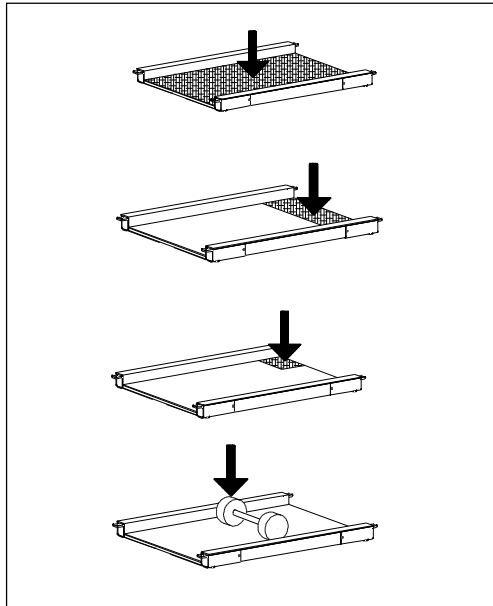


## 5. Operating limits

- Although the weighing platforms have an extremely rugged construction, the load limits shown in the following tables should not be exceeded.
- Depending on the type of loading, the maximum safe static load, i.e. maximum admissible loading is:



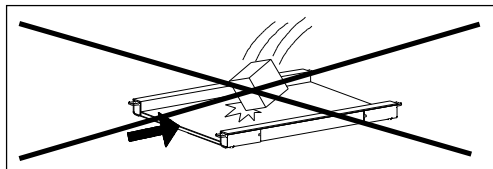
- With central load
 

DUCS...s	1 000 kg
DUE...s / DUF...s	1 750 kg
DU...painted	1 750 kg
- With side load
 

DUCS...s	600 kg
DUE...s/ DUF...s	900 kg
DU...painted	900 kg
- With one-side cornerload
 

DUCS...s	300 kg
DUE...s / DUF...s	450 kg
DU...painted	450 kg
- With single wheel load
 

DUCS...s	200 kg
DUE...s / DUF...s	400 kg
DU...painted	400 kg



- Falling loads, shocks and lateral impacts must be avoided.

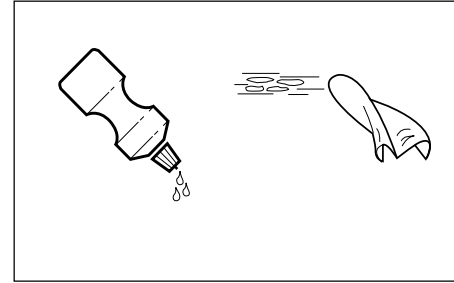
### Operation with approach ramps:

- The load plate of the weighing platform is the active weighing component, the approach ramps are passive, i.e. in the weighing operation all wheels of the conveying vehicle must be on the load plate.
- The air gap between load plate and the approach ramps must be free. It is thus essential, particularly when weighing granular or small-sized weighing samples, to check the gap at regular intervals and keep it free.

## 6. Cleaning the weighing platform

Maintenance of the weighing platform is restricted to regular cleaning. The procedure depends on not only the type of surface, but also the ambient conditions prevailing at the location.

### Cleaning the exterior of the painted weighing platforms in dry surroundings



- Wipe with a damp cloth, usual household cleaning agents.

### Cleaning agents

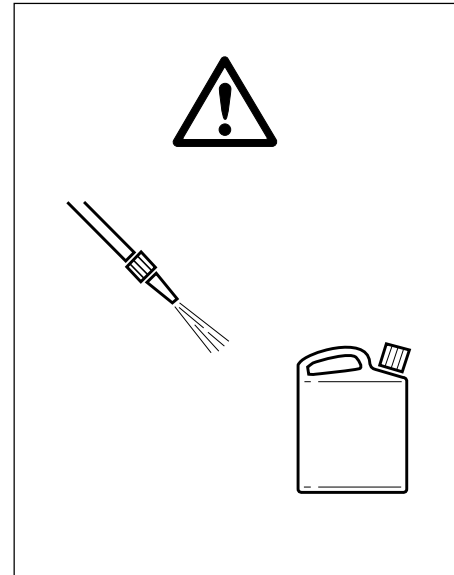
- Use disinfectants and cleaning agents only in accordance with the producer's instructions.

### Cleaning the exterior of the stainless steel weighing platforms in wet surroundings

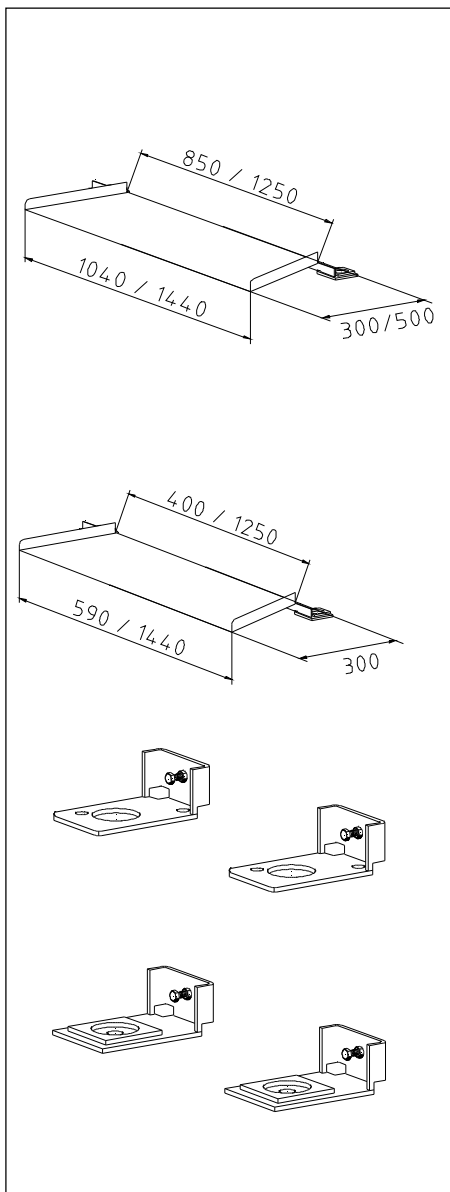
- Water jet.
- Usual household cleaning agents.

### Cleaning the exterior of the stainless steel weighing platforms in corrosive surroundings

- It is essential to remove corrosion initiating substances at regular intervals.
- Use disinfectants and cleaning agents only in accordance with the producer's instructions and stipulations.
- Water jet up to 60 °C.
- Possibly after-treatment with OKS 371 universal oil.



## 7. Optional equipment



### Approach ramps

Order-No.

#### Painted version

Lenght 300 mm :	
CS 850 mm	22003526
E 1250 mm	22003527
F 850-1250 mm	22003533

Lenght 500 mm :	
CS 850 mm	22004340
E 1250 mm	22004339
F 850-1250 mm	22007177

#### Stainless steel version

Lenght 300 mm :	
CS 850 mm	00852030
E 1250 mm	00852031
F 400-1250 mm	00506333

### Foot plate set

Painted version with horizontal stop	22003532
---	----------

Stainless steel version with horizontal stop	00507089
---	----------

## 2. Equipotential bonding

The equipotential bonding must be installed by a professional electrician when using the weighing platform in Zones 1/2 and 21/22. METTLER TOLEDO Service only has a monitoring and consulting here.

=> Connect equipotential bonding (PA) of all devices (weighing platform and service terminal) in accordance with the country-specific regulations and standards. In the process, make sure that all device housings are connected to the same potential via the PA terminals.

## 3. Putting into operation

All operating terminals with IDNet interface can be attached to the DU weighing platforms. The weighing platforms of the T-version can be attached to operating terminals with integrated A/D converter.

Terminal	Color
EXC+ (IN+)	grey
SEN+ (IN-)	yellow
SIG+ (OUT+)	with
SIG- (OUT-)	brown
SEN-	green
EXC-	blue

### Connecting analog (T) version

## 4. Technical data DU (stainless steel)

### 4.1 Load cell

Ignition protection type: II 2G EEx ia IIC T6...T4  
-20°C ≤ Ta +40°C  
II 2D IP68/66 T 70°C

### 4.2 Electronic housing

Point ADC	Point Ex
Ignition protection type:	BVS 03 ATEX E 432
II 3G Ex nA II T4; Ex nV II T4	II 2G EEx ia IIC T4
TÜV Nord TÜV 99 ATEX 1445	II 2D IP68 T 75°C
II 3G/D EEx nA II T4	-20°C ≤ Ta ≤ +60°C
T+50°C IP68	
ASEV 00 EX 0494	

Analog (T)  
passive component

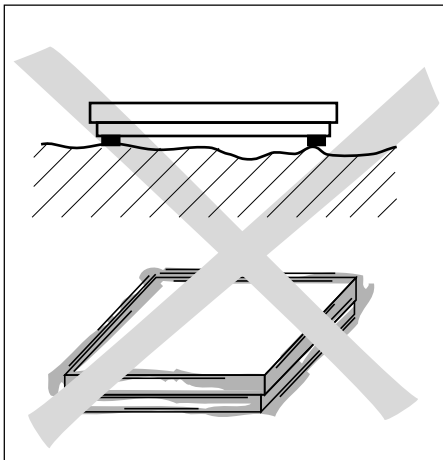
## 1. Cautionary notes

### DU-line (painted)

- Never operate in hazardous areas!

### DU-line (stainless steel)

- The explosion-protected weighing platform is approved for operation in hazardous areas (see technical data).  
There is an increased danger of injuries and damage when using the weighing platform in hazardous areas! Exercise particular care when using in such areas. The rules for behavior are based on the concept of " Safe Distribution" established by METTLER TOLEDO.



### Selection of the location

- The foundation at the installation site must be capable of safely supporting the weight of the scale at the support points when it carries the maximum load. At the same time, it should be so stable that no vibrations occur during weighing operations. These requirements also apply if the weighing platform is integrated in conveying systems and the like.
- Ensure the vibrations due to machines near the installation site are kept to a minimum

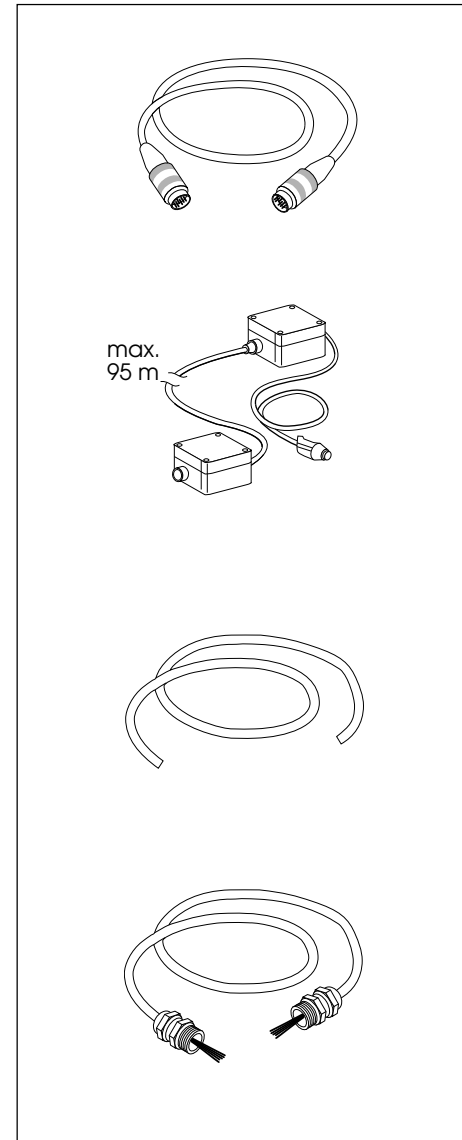
### Ambient conditions for the DU-line (painted)

- Use weighing platform only in a dry environment.

### Ambient conditions for the DU-line (stainless steel)

- Weighing platform can be used in a dry or wet environment.

Using DU...x-platforms in hazardous areas, please note additionally the operating instructions "Explosion proof Weighing system 00704516".



### ID-Net version

Connection cable extension, length 10 m, connectors at both ends, for remote location of terminal.

Order-No.

00504134

Cable adapter kit, comprising two junction boxes for extending connection cable up to 100 m. Box at terminal end with connection cable of length 2.5 m.

00504133

Special cable on reel, used with cable adapter kit for extension of connection cable to required length.

00504177

### Analog version

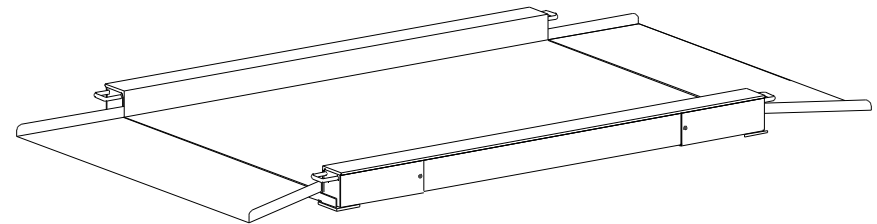
Connection cable analog, length 10 m, both ends prepared for remote location of the terminal with integrated A/D converter.

00204555

## Operating instructions

**METTLER TOLEDO MultiRange**  
**Low profile scales**  
**DU line**

**METTLER TOLEDO**



**00705990**

Subject of technical changes © Mettler-Toledo (Albstadt) GmbH 04/04 Printed in Germany 00705990J

**Mettler-Toledo (Albstadt) GmbH**

D-72458 Albstadt

Tel. ++49-7431-14 0, Fax ++49-7431-14 232

Internet: <http://www.mt.com>

