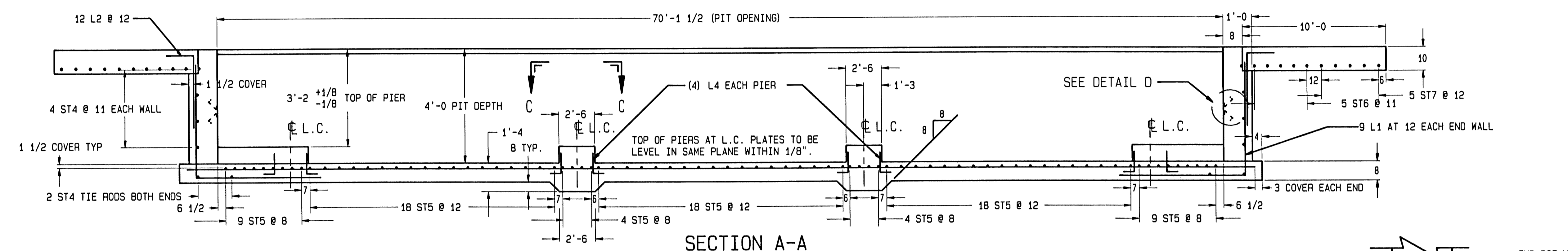
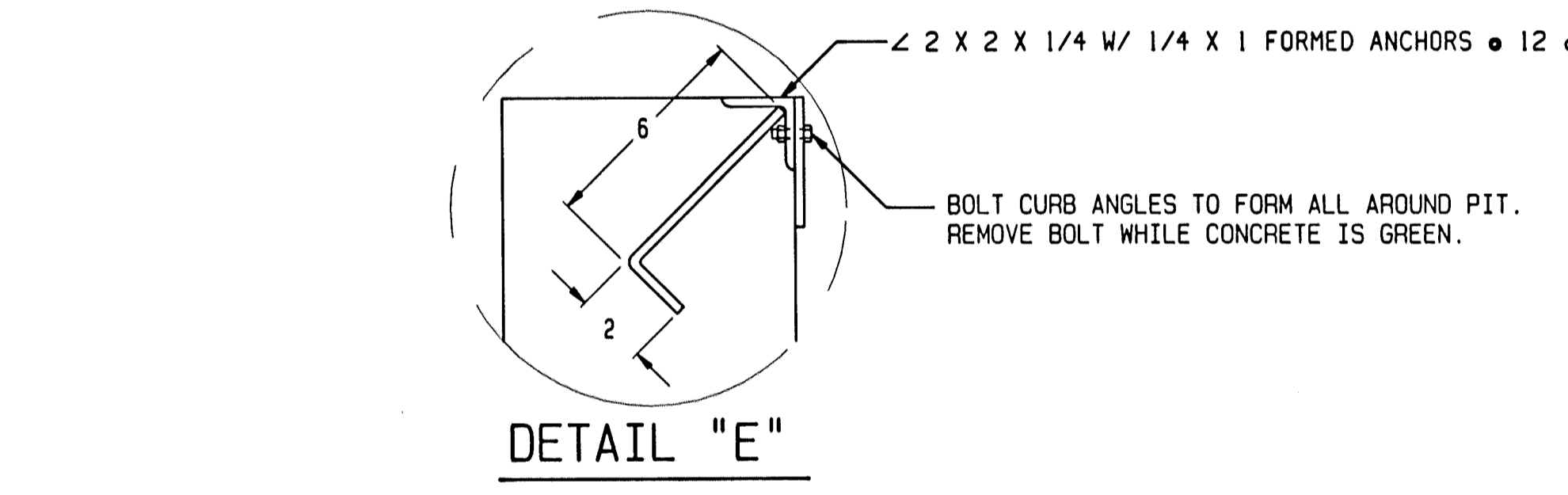


PLAN VIEW



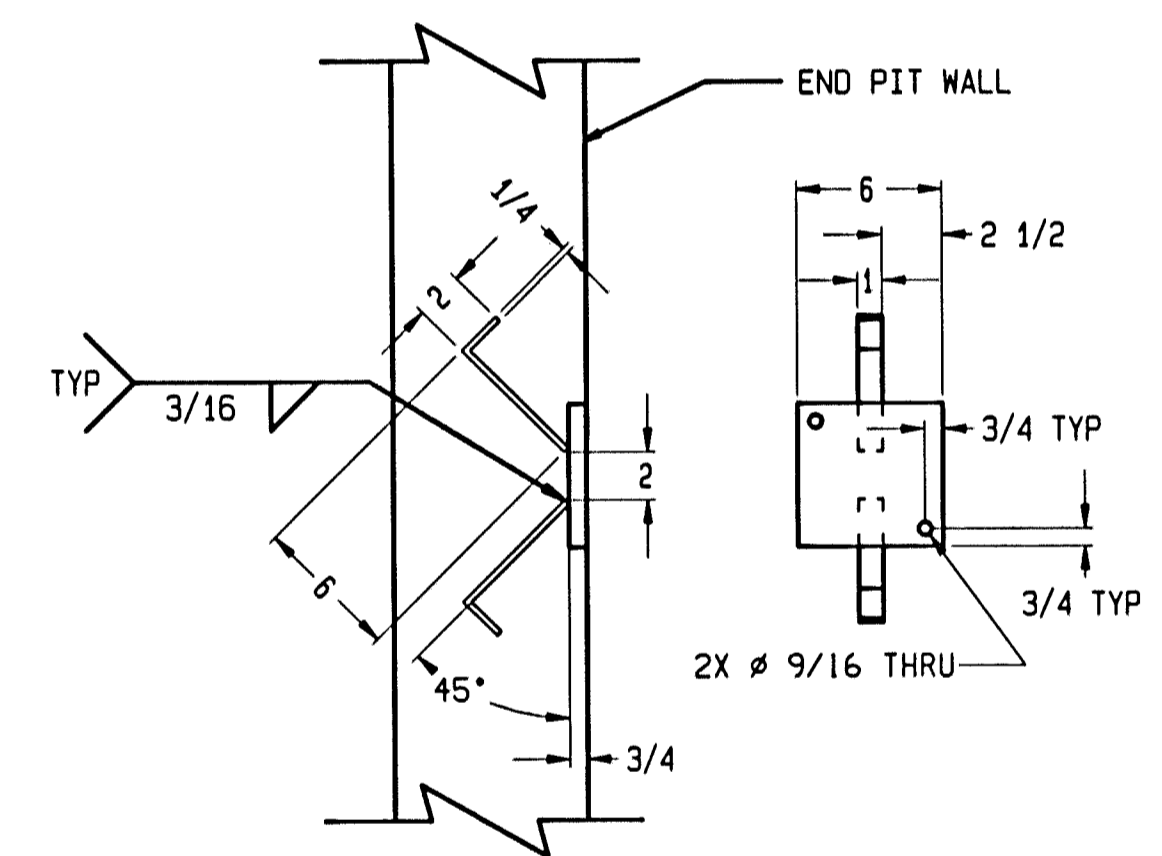
SECTION A-A



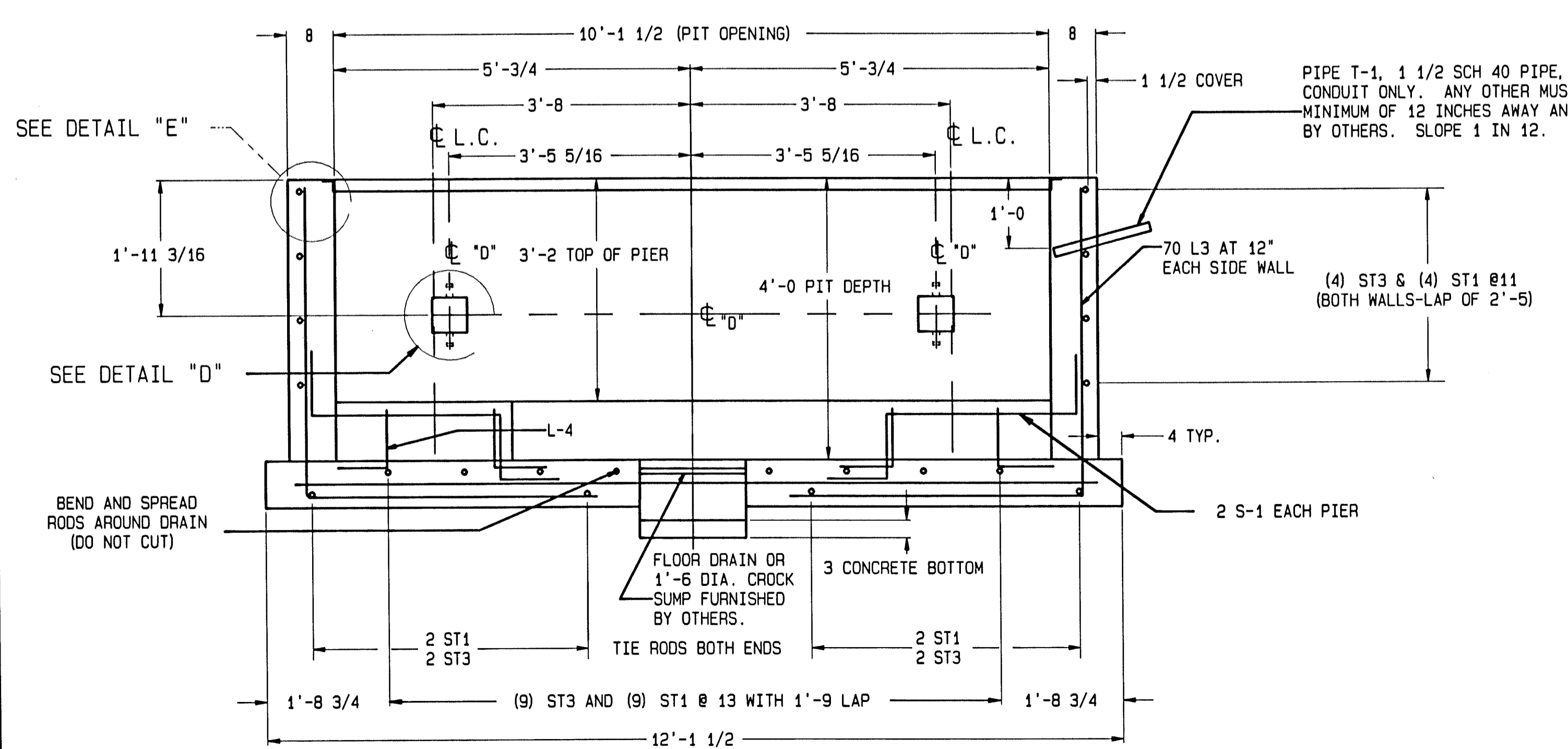
DETAIL "E"

SUMMARY OF PIT QUANTITIES

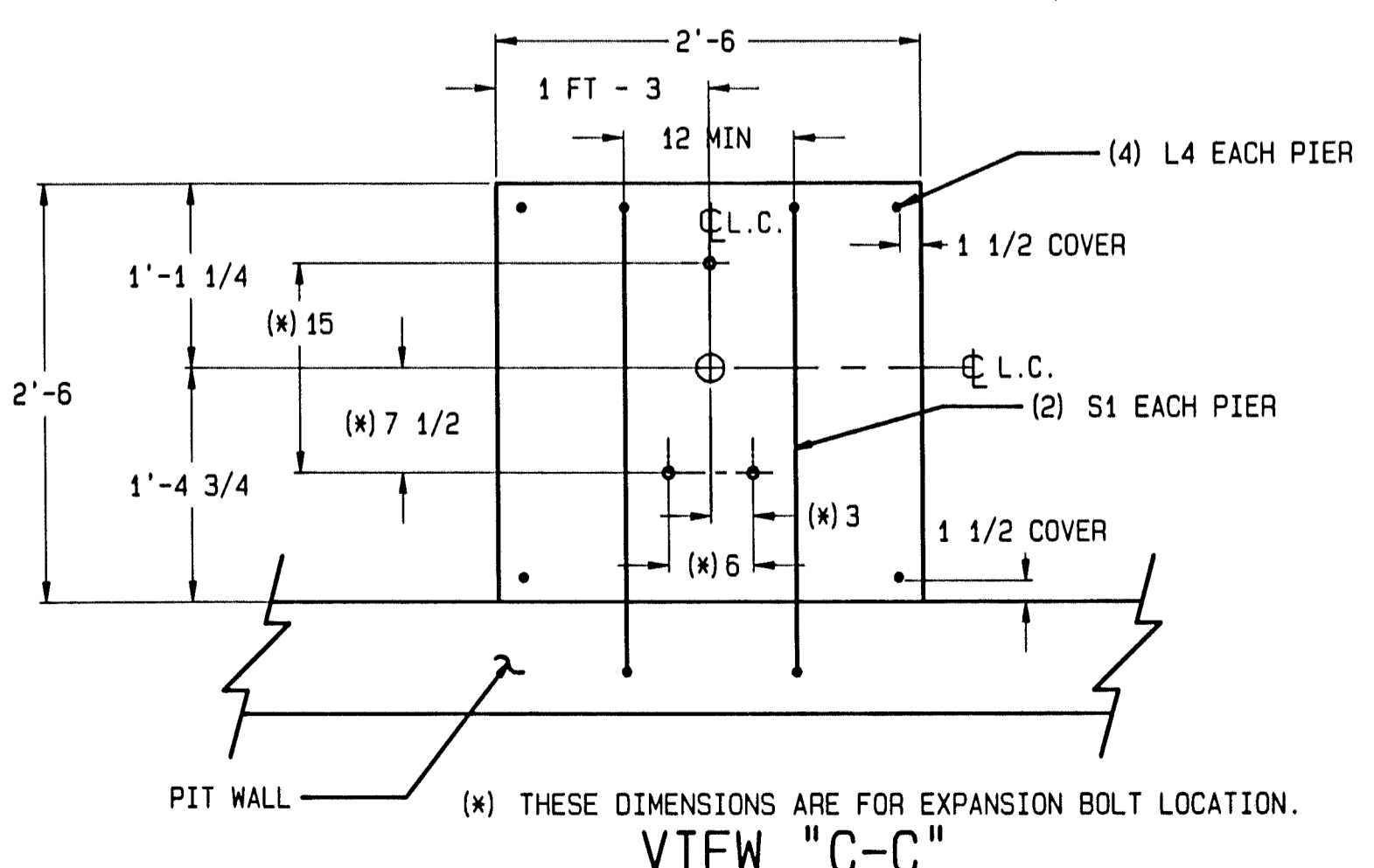
PIT REINFORCEMENT	4224 LBS.
CONCRETE	52 CU. YDS.
FORMS INSIDE	684 SQ. FT.
EXCAVATION	162 CU. YDS.



DETAIL "D"



SECTION "B-B"



VIEW "C-C"

- GENERAL NOTES
- PIT DEPTH: DEPTH OF PIT AS GIVEN IS MINIMUM REQUIRED FOR SERVICING. THIS DRAWING CANNOT BE USED IN STATES THAT REQUIRE 4 FEET OF CLEARANCE BETWEEN WEIGHBRIDGE AND PIT FLOOR. OTHERS DRAWINGS TO SUIT THIS CONDITION ARE AVAILABLE.
 - PIT DESIGN SPECIFICATIONS: THE PIT DESIGN IS BASED ON SUPERIMPOSED SCALE LOADS, NORMAL TRUCK SURCHARGE AND UNIFORM SOIL CONDITIONS HAVING A MINIMUM BEARING PRESSURE OF 1,500 POUNDS PER SQUARE FEET.
 - UNUSUAL CONDITIONS: FOR UNUSUAL SOIL AND LOADING CONDITIONS, ARCHITECTURAL REQUIREMENTS, OR AN INCREASE IN PIT DEPTH, THIS DESIGN MUST BE ALTERED TO SUIT CONDITIONS. IN ALL CASES THE PIT BOTTOM MUST BE BELOW LOCAL FROSTLINE.
 - DIMENSIONAL TOLERANCES: ALL INSIDE DIMENSIONS OF PIT AND PIERS TO BE LOCATED TRUE AND ACCURATE TO 1/4 INCH OF DIMENSION GIVEN FROM CENTERLINE OF PIT. DIMENSIONS TO TOP OF PIERS FROM TOP OF CURBING TO BE HELD WITHIN 1/8 INCH. CURBING MUST BE LEVEL.
 - CONCRETE AND STEEL SPECIFICATIONS: USE 4,000 PSI STRENGTH CONCRETE AT 28 DAY AGE. IF SUBJECT TO SEVERE WEATHER CONDITIONS, USE AIR ENTRAINING AGENT. ALL REINFORCING STEEL TO BE DEFORMED BARS, ASTM A-615 GRADE 60. ALL CONCRETE AND REINFORCING TO BE PLACED ACCORDING TO BEST PRACTICE AS DESCRIBED BY THE LATEST AMERICAN CONCRETE INSTITUTE CODE.
 - GENERAL INFORMATION: EXCAVATION, FOUNDATION FORMS, REINFORCING STEEL, EMBEDDED ITEMS, AND CONCRETE TO BE FURNISHED BY OTHERS. ADDITIONAL CONCRETE AND REINFORCING STEEL WILL BE REQUIRED BY OTHERS FOR THE WEIGHBRIDGE DECK.
 - APPROACHES: APPROACH AT EACH END OF SCALE MUST BE STRAIGHT AND IN THE SAME PLANE AS PLATFORM, AND IF PRACTICABLE BE 40 FEET MINIMUM LENGTH OR COMPLY WITH STATE WEIGHTS AND MEASURES REGULATIONS. SEE 093409 APPROACH DRAWING.

REINFORCING STEEL SCHEDULE							
USE ASTM A615 GRADE 40 MIN. REINFORCING STEEL COLD FORM ALL BENDS.							
ITEM	QTY	DESCRIPTION	SIZE	LENGTH		WGT	
				A	B		TOTAL
L1	18	BENT FLOOR	#4	4'-3	8'-0	12'-3	147
L2	40	BENT WALL	#4	2'-0	2'-0	4'-0	107
L3	140	BENT FLOOR	#4	4'-3	4'-3	8'-6	794
L4	32	BENT FLOOR	#4	0'-9	0'-9	1'-6	32
USE ASTM A615 GRADE 40 MIN. REINFORCING STEEL COLD FORM ALL BENDS.							
S1	16	BENT FLOOR	#4	0'-10	2'-10	5'-4	57
STRAIGHT							
ST1	13	STRAIGHT FLOOR	#4			34'-0	295
ST1	8	STRAIGHT WALL	#4			34'-0	182
ST2	28	STRAIGHT APPROACH	#5			9'-6	278
ST3	13	STRAIGHT FLOOR	#4			40'-0	347
ST3	8	STRAIGHT WALL	#4			40'-0	214
ST4	4	STRAIGHT FLOOR	#5			11'-0	46
ST4	8	STRAIGHT WALL	#5			11'-0	92
ST5	80	STRAIGHT FLOOR	#6			11'-6	1382
ST6	10	STRAIGHT APPROACH	#5			11'-0	115
ST7	10	STRAIGHT APPROACH	#5			13'-0	136
						TOTAL WEIGHT	4224

MARK	REVISION	BY	DATE	TOLEDO METTLER - TOLEDO, INC. HEAVY CAPACITY PRODUCTS	
D	REDRAWN ON CAD. CHG'D LOCATION OF END WALL BUMPER PLATE FOR NEW BUMPER	SDP	1-8-91	SCALE: NOTED	TOLERANCE UNLESS OTHERWISE NOTED
E	CHG'D LOCATION OF END BUMPER PL. 1' 11 3/16 WAS 2'-3/8.	SDP	5-14-91	DATE: 6-23-89	FRAC'T *1/32 DECIMAL .XX *0.020 .XXX *0.005 APPROVED BY:
F	ADDED DETAIL "E". APPROACH REBAR WAS #4.	SDP	7/16/91	TITLE:	7541 REG. PIT. 70'X10' TANDEM AXLE 45K
G	45K WAS 100 TON IN TITLE	LUN	10-28-91	DRAWING NUMBER: TC200799 G	