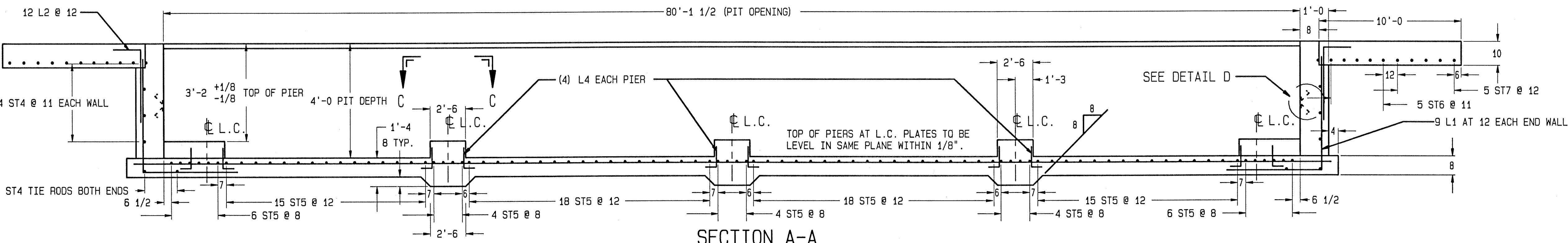


PLAN VIEW



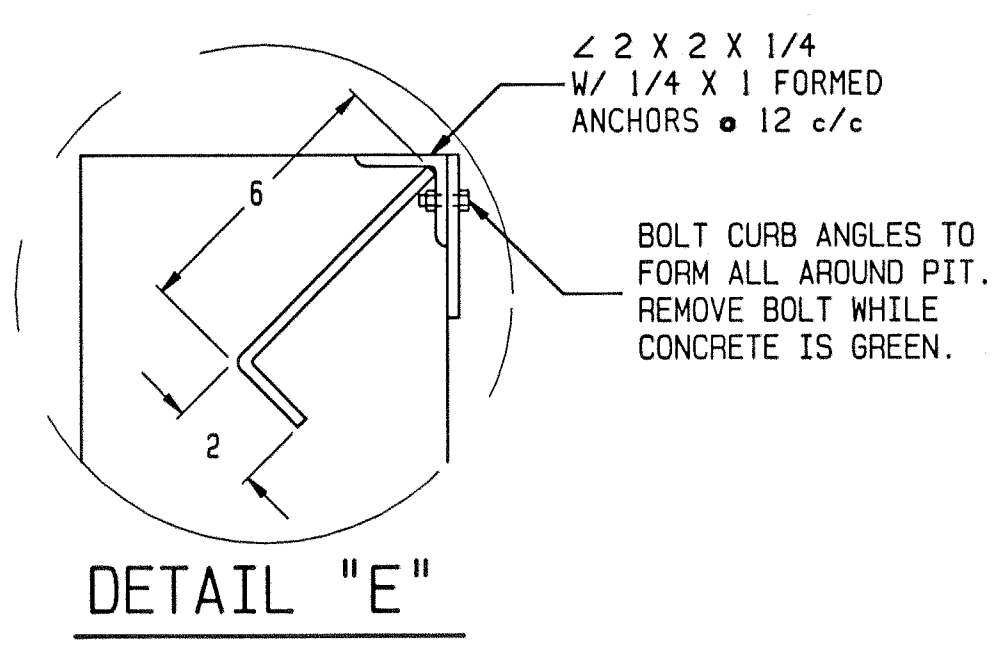
SECTION A-A

REF: EXPANSION BOLT LOCATIONS. BASEPLATE EXPANSION BOLTS TO BE 3/4" DIA. X 6" LG. (USE BASEPLATES AS TEMPLATES TO LOCATE EXPANSION BOLTS DURING SCALE INSTALLATION. LOCATE AT CENTER OF HOLE IN BASE PLATE.) SEE VIEW "C-C".

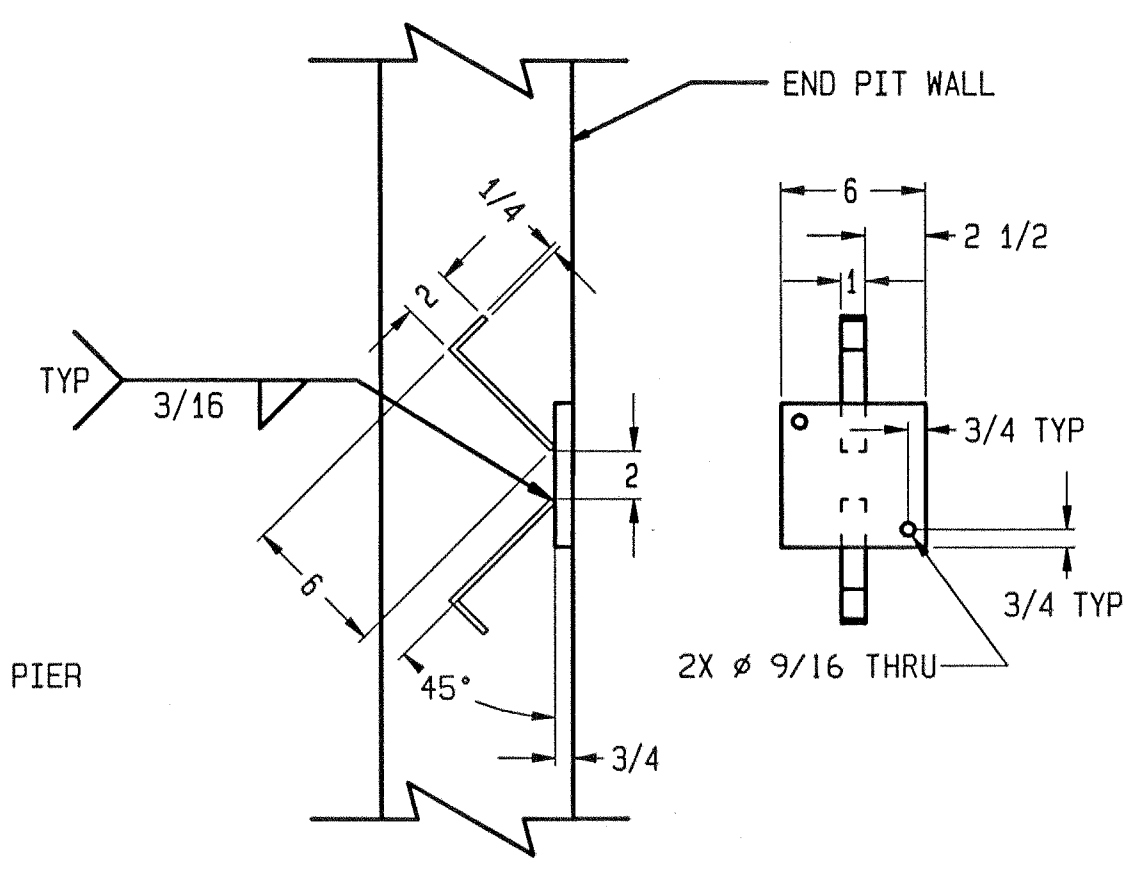
- GENERAL NOTES
- PIT DEPTH
DEPTH OF PIT AS GIVEN IS MINIMUM REQUIRED FOR SERVICING. THIS DRAWING CANNOT BE USED IN STATES THAT REQUIRE 4 FEET OF CLEARANCE BETWEEN WEIGHBRIDGE AND PIT FLOOR. OTHERS DRAWINGS TO SUIT THIS CONDITION ARE AVAILABLE.
 - PIT DESIGN SPECIFICATIONS
THE PIT DESIGN IS BASED ON SUPERIMPOSED SCALE LOADS, NORMAL TRUCK SURCHARGE AND UNIFORM SOIL CONDITIONS HAVING A MINIMUM BEARING PRESSURE OF 1,500 POUNDS PER SQUARE FEET.
 - UNUSUAL CONDITIONS
FOR UNUSUAL SOIL AND LOADING CONDITIONS, ARCHITECTURAL REQUIREMENTS, OR AN INCREASE IN PIT DEPTH, THIS DESIGN MUST BE ALTERED TO SUIT CONDITIONS. IN ALL CASES THE PIT BOTTOM MUST BE BELOW LOCAL FROSTLINE.
 - DIMENSIONAL TOLERANCES
ALL INSIDE DIMENSIONS OF PIT AND PIERS TO BE LOCATED TRUE AND ACCURATE TO 1/4 INCH OF DIMENSION GIVEN FROM CENTER-LINE OF PIT. DIMENSIONS TO TOP OF PIERS FROM TOP OF CURBING TO BE HELD WITHIN 1/8 INCH. CURBING MUST BE LEVEL.
 - CONCRETE AND STEEL SPECIFICATIONS
USE, 4,000 PSI STRENGTH CONCRETE AT 28 DAY AGE. IF SUBJECT TO SEVERE WEATHER CONDITIONS, USE AIR ENTRAINING AGENT. ALL REINFORCING STEEL TO BE DEFORMED BARS, ASTM A-615 GRADE 60. ALL CONCRETE AND REINFORCING TO BE PLACED ACCORDING TO BEST PRACTICE AS DESCRIBED BY THE LATEST AMERICAN CONCRETE INSTITUTE CODE.
 - GENERAL INFORMATION
EXCAVATION, FOUNDATION FORMS, REINFORCING STEEL, EMBEDDED ITEMS, AND CONCRETE TO BE FURNISHED BY OTHERS. ADDITIONAL CONCRETE AND REINFORCING STEEL WILL BE REQUIRED BY OTHERS FOR THE WEIGHBRIDGE DECK.
 - APPROACHES
APPROACH AT EACH END OF SCALE MUST BE STRAIGHT AND IN THE SAME PLANE AS PLATFORM, AND IF PRACTICABLE BE 40 FEET MINIMUM LENGTH OR COMPLY WITH STATE WEIGHTS AND MEASURES REGULATIONS. SEE 093409 APPROACH DRAWING.

SUMMARY OF PIT QUANTITIES

PIT REINFORCEMENT	4716 LBS.
CONCRETE	58 CU. YDS.
FORMS INSIDE	776 SQ. FT.
EXCAVATION	183 CU. YDS.

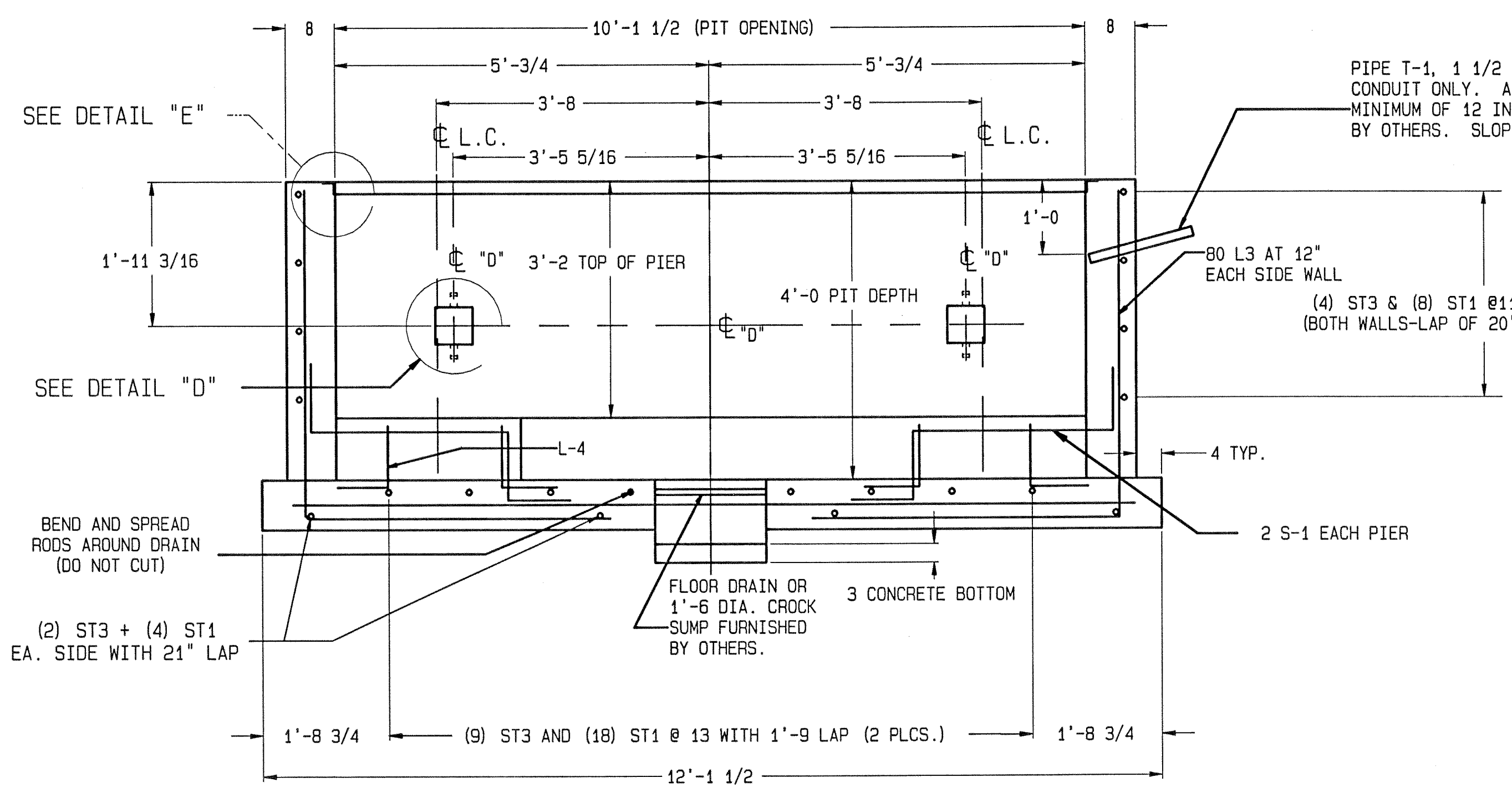


DETAIL "E"

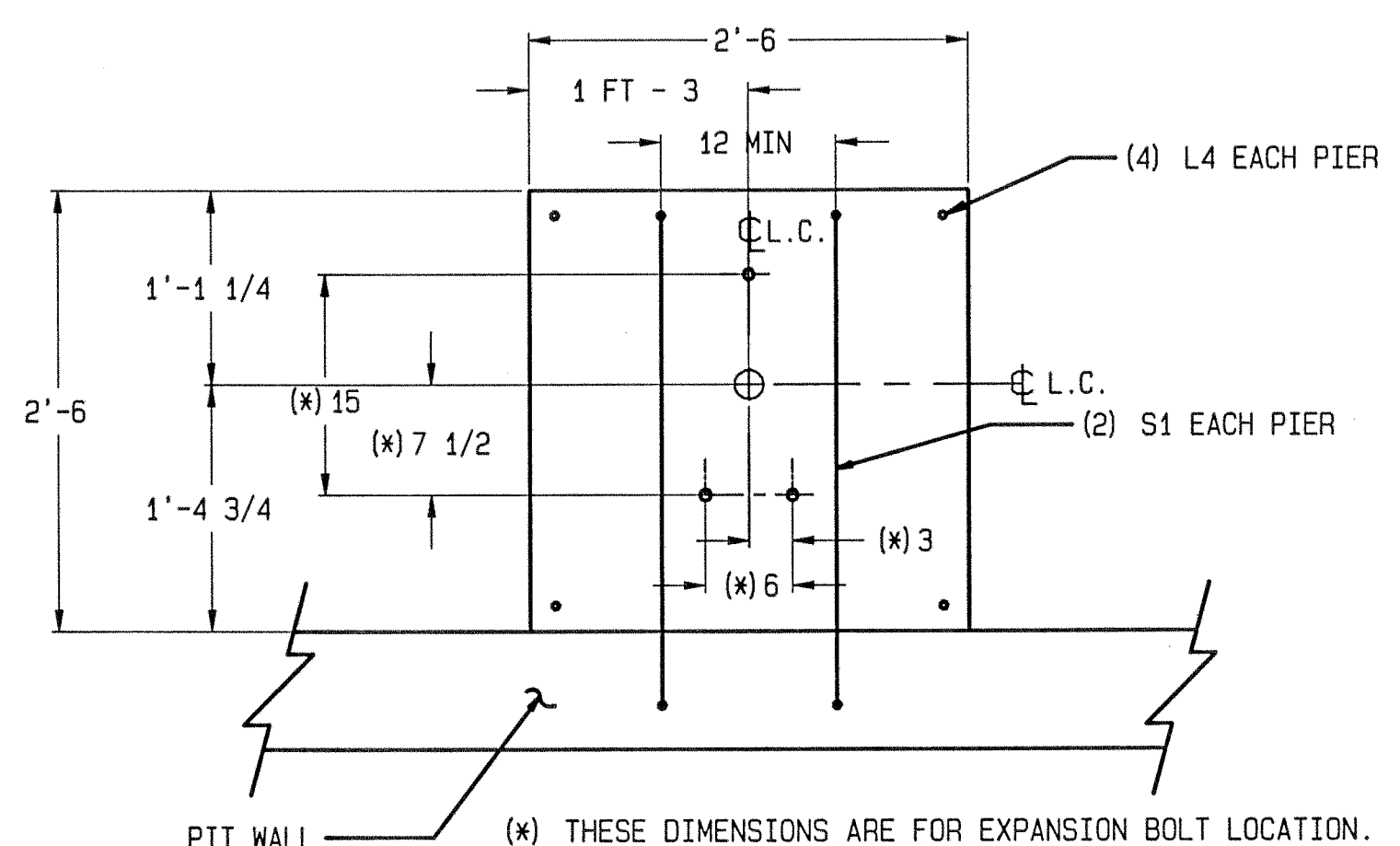


DETAIL "D"

SCALE: 1 1/2 = 1'-0
(4) REQUIRED
MATERIAL: H. R. STEEL. FURNISHED BY OTHERS



SECTION "B-B"



VIEW "C-C"

SCALE: 1 = 1'

REINFORCING STEEL SCHEDULE

USE ASTM A615 GRADE 40 MIN. REINFORCING STEEL
COLD FORM ALL BENDS.

ITEM	QTY	DESCRIPTION	SIZE	LENGTH			WGT
				A	B	TOTAL	
L1	18	BENT FLOOR	#4	4'-3	8'-0	12'-3	147
L2	40	BENT WALL	#4	2'-0	2'-0	4'-0	107
L3	160	BENT FLOOR	#4	4'-3	4'-3	8'-6	908
L4	40	BENT FLOOR	#4	0'-9	0'-9	1'-6	40

USE ASTM A615 GRADE 40 MIN. REINFORCING STEEL
COLD FORM ALL BENDS.

ITEM	QTY	DESCRIPTION	SIZE	A	B	TOTAL	WGT
S1	24	BENT FLOOR	#4	0'-10	2'-10	5'-4	86

STRAIGHT

ITEM	QTY	DESCRIPTION	SIZE	A	B	TOTAL	WGT
ST1	26	STRAIGHT FLOOR	#4			23'-0	400
ST1	16	STRAIGHT WALL	#4			23'-0	245
ST2	28	STRAIGHT APPROACH	#5			9'-6	278
ST3	13	STRAIGHT FLOOR	#4			40'-0	347
ST3	8	STRAIGHT WALL	#4			40'-0	214
ST4	4	STRAIGHT FLOOR	#5			11'-0	46
ST4	8	STRAIGHT WALL	#5			11'-0	92
ST5	90	STRAIGHT FLOOR	#6			11'-6	1555
ST6	10	STRAIGHT APPROACH	#5			11'-0	115
ST7	10	STRAIGHT APPROACH	#5			13'-0	136
TOTAL WEIGHT							4716

REV	CHANGE	BY	DATE	SCALE	NOTED
A	CHG'D LOCATION OF BUMPER PL. 1'-11 3/16 WAS 2'-3/8	SDP	06/06/91		DATE 02/08/91 DGN SDP APPROVES
B	ADDED DETAIL "E". APPROACH REBAR WAS #4 45K WAS 100 TON IN TITLE	SDP	07/22/91		TITLE 7541 REG. PIT, 80'X10' TANDEM AXLE 45K
C	CORRECTED REBAR QUANTITY IN SECTION B-B	ALS	10/28/91		
D		BTS	03/16/04		

UNLESS OTHERWISE SPECIFIED, ALL DIMENSIONS ARE IN INCHES, AND DIMENSIONAL TOLERANCES ARE:
FRACTIONAL .XX ±.02
DECIMAL .XXX ±.005
ANGULAR ±.5°

METTLER TOLEDO
TC201540 REV D