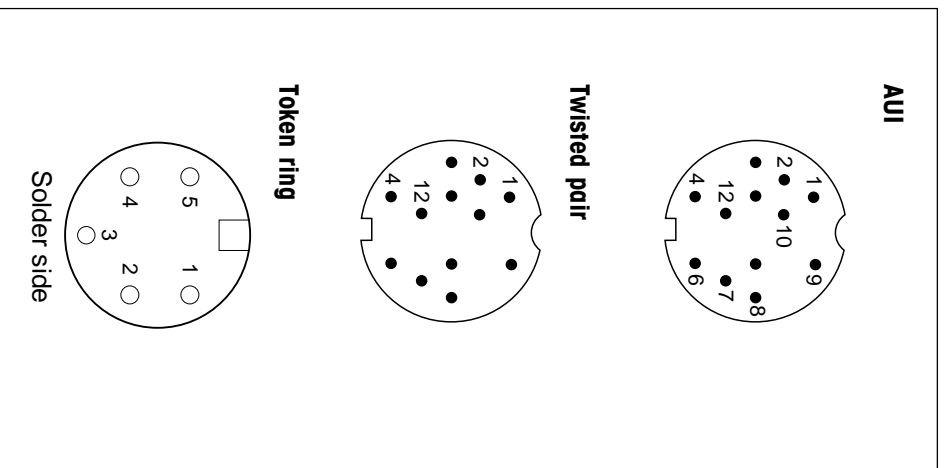


### 3 Pin assignment



**Pin assignment AUJ**

Pin 1 collision -  
 Pin 2 collision +  
 Pin 4 transmit +  
 Pin 6 receive +  
 Pin 7 receive -  
 Pin 8 power  
 Pin 9 power return  
 Pin 10 collision shield  
 Pin 12 transmit -

**Pin assignment twisted pair**

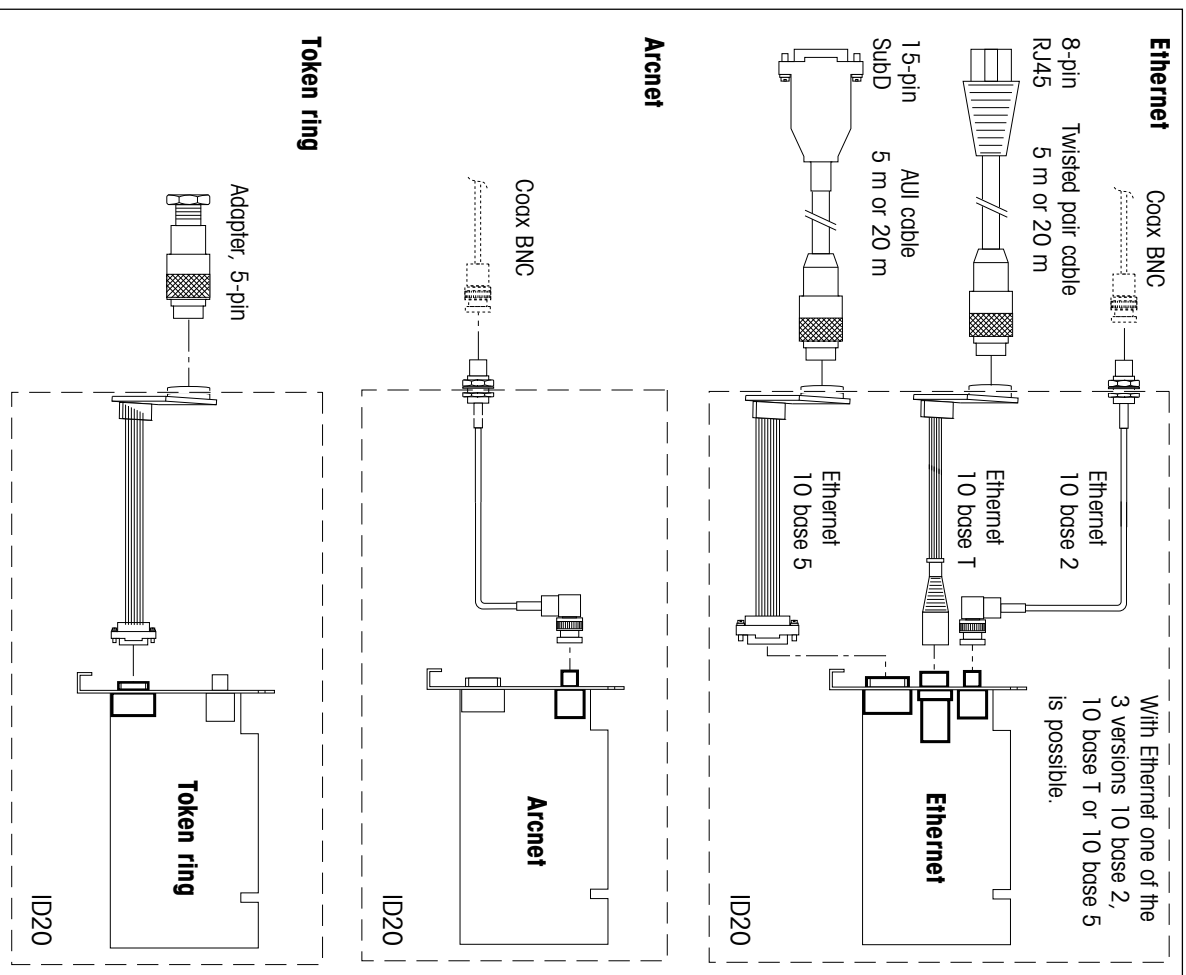
Pin 1 TX +  
 Pin 2 TX -  
 Pin 4 RX -  
 Pin 12 RX +

**Pin assignment token ring**

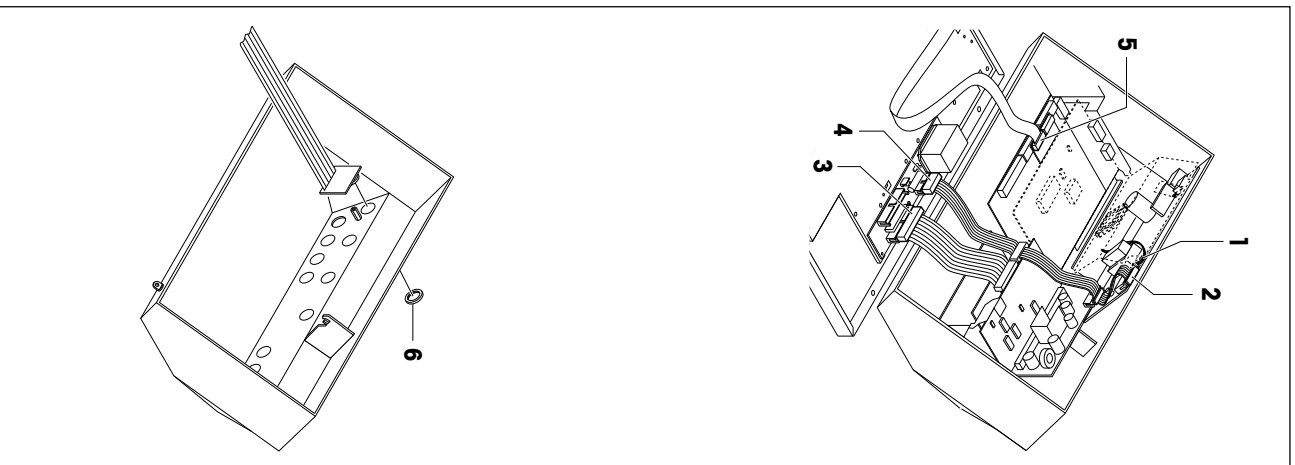
1 red Station receive  
 2 green Station receive  
 4 orange Station transmit  
 5 black Station transmit  
 Shield Shield

### 1 ID20 network connection

One of the following network cards can be installed to allow operation of the ID20... in a network.



## 2 Installing network cards

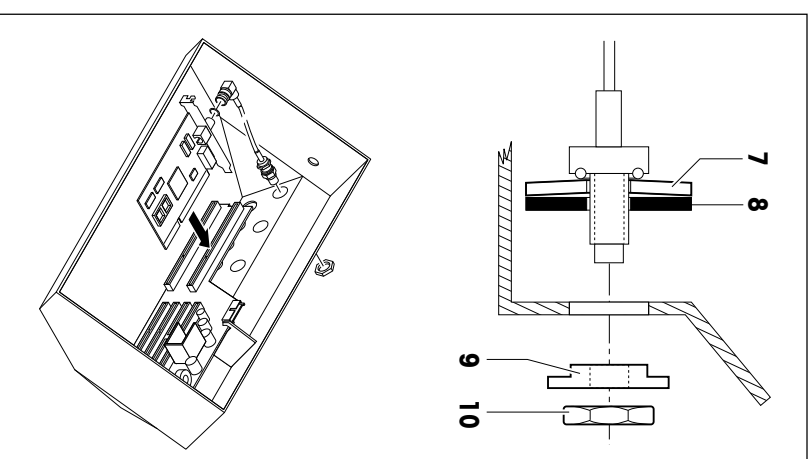


### Disassembly

- Switch off terminal, disconnect power plug.
- Unscrew 2 screws on underside of cover at front.
- Lift off cover and place face down in front of terminal on a clean, soft support.
- Disconnect graphics ribbon cable or LCD adapter board (5).
- Disconnect CAN bus cable at power supply board and backlighting board (2, 4).
- Disconnect keypad extension cable (3).
- Unscrew guard plate of power supply and disconnect fan cable (1).
- If need be, move all interface cables to the right.
- Undo ring nuts for scale connection 1, keypad, COM1 and COM2 at the rear of the terminal.
- Unscrew backplane and lift out complete with holder and plug-in cards.
- Unscrew spacer bolt on the left.
- Remove heavy gauge nut and dummy stopper at the rear of the terminal.

### Installing connection socket board

- (for Ethernet 10 base T, Ethernet 10 base 5 and token ring).
- Unscrew ring nut (6) from the interface connection socket.
  - Lead interface connection socket outward, screw on ring nut (6) from the outside and tighten. Ensure correct seating of the rubber ring seal.



### Installing coax connector

(for Ethernet 10 base 2 and Arcnet)

- Unscrew ring nut (6) from the interface connection socket.
- Lead network link cable with spring washer (7) and rubber washer (8) outward.
- Attach nut (10) and reducer (9) to rear of terminal and tighten. Ensure correct seating of the reducer.

### Installing network card

- Engage network card securely with the backplane.
- Slide slotted plate of network card into fastening plate and secure with a screw.
- Screw spacer bolt onto threaded bolt.

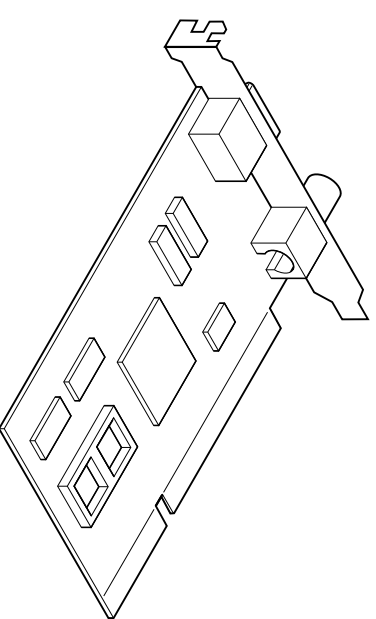
### Final assembly steps

- Insert backplane with plug-in cards in the housing. The two side fastening plates must be exactly level with the top edge of the bottom housing.
- Tighten 4 ring nuts at rear of terminal. Ensure correct seating of the rubber ring seals and spacer washers.
- Fasten backplane with screw to the spacer bolt.
- Plug network link cable into network card.
- Plug in all cables.
- Install guard plate of power supply.
- Engage cover from the back with the 2 screws and fasten underside of cover at the front.

## Installation instructions

### METTLER TOLEDO MultiRange ID20 Network connection

**METTLER  
TOLEDO**



**Mettler-Toledo (Albstadt) GmbH, D-72458 Albstadt, Germany, Tel. (0 74 31) 14-0, Fax (0 74 31) 14-232**

- A Mettler-Toledo Ges.m.b.H., 1100 Wien, Tel. (01) 604 19 80, Fax (01) 604 28 80**
  - AUS Mettler-Toledo Ltd., Victoria 3207, Tel. (3) 646 45 51, Fax (3) 645 39 35**
  - B N.V. Mettler-Toledo S.A., 1651 Lof, Tel. (02) 3340211, Fax (02) 3781665**
  - CH Mettler-Toledo (Schweiz) AG, 8606 Greifensee, Tel. (01) 944 45 45, Fax (01) 944 45 10**
  - CN Mettler-Toledo (Shanghai) Ltd., Shanghai 200233, Tel. (21) 470 3932, Fax (21) 470 3351**
  - D Mettler-Toledo GmbH, 35353 Giessen 11, Tel. (0641) 507-0, Fax (0641) 5 29 51**
  - DK Mettler-Toledo A/S, 2100 Copenhagen Ø, Tel. (39) 29 04 00, Fax (39) 29 04 26**
  - E Mettler-Toledo S.A.E., 08038 Barcelona, Tel. (93) 223 22 22, Fax (93) 223 02 71**
  - F Mettler-Toledo s.a., 78220 Viroflay, Tel. (1) 30 97 17 17, Fax (1) 30 97 16 16**
  - HK Mettler-Toledo Packim Ltd., Kowloon, Hongkong, Tel. 724 23 48, Fax 724 23 49**
  - I Mettler-Toledo S.p.A., 20026 Novate Milanese, Tel. (02) 33332.1, Fax (02) 35 62 973**
  - J Mettler-Toledo K.K., Takarazuka 665, Tel. 797 74 2406, Fax 797 74 2641**
  - N Mettler-Toledo A/S, 1008 Oslo 10, Tel. (22) 30 44 90, Fax (22) 32 70 02**
  - NL Mettler-Toledo B.V., 4000 HA Tel, Tel. (03440)11311\*, Fax (03440) 20530**
  - S Mettler-Toledo AB, 120 08 Stockholm, Tel. (08) 702 50 00, Fax (08) 642 45 62**
  - SGP Mettler-Toledo (S.E.A.) Pte. Ltd., Singapore 0513, Tel. 0065 778 67 79, Fax 0065 778 66 39**
  - TH Mettler-Toledo (Thailand), Bangkok 10310, Tel. 719 64 80-87, Fax 719 64 79**
  - UK Mettler-Toledo Ltd., Leicester, LE4 1AW, Tel. (0116) 235 7070, Fax (0116) 236 6399**
  - USA Mettler-Toledo Inc., Worthington, Ohio 43085, Tel. (614) 438-4511, Fax (614) 438-4755**
  - USA Mettler-Toledo Inc., Hightstown, NJ 08520-0071, Tel. (609) 448-3000, Fax (609) 586-5451**
- For all other countries: **Mettler-Toledo AG, VI, 8606 Greifensee, Tel. 01/944 22 11, Fax 01/944 31 70**

#### **4 Software installation**

##### **Ethernet**

The drivers for the Ethernet network cards are already installed in the ID20 Weighing Terminal in the directory C:\3COM.

##### **Arcnet and token ring**

The drivers for these network cards must be installed from the enclosed diskette, see manual of the network card.

#### **5 Optional equipment**

**Order No.**

##### **Boot ROM**

For powerup of the ID20 Weighing Terminal via Ethernet

207585

##### **AUI cable**

For Ethernet 10 base 5, 15-pin D-subminiature

5 m  
20 m

205683  
207565

##### **Twisted pair cable**

For Ethernet 10 base T, 8-pin RJ45

5 m  
20 m

205247  
208152

##### **Adapter**

For token ring, 5-pin

505923