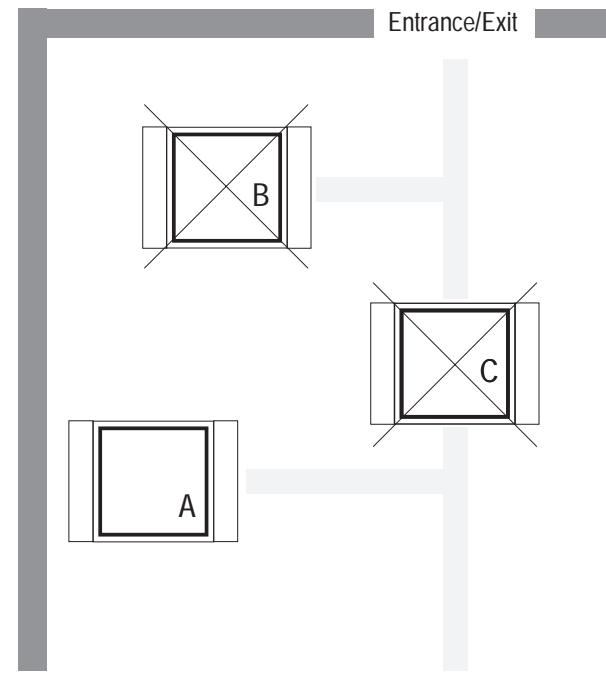
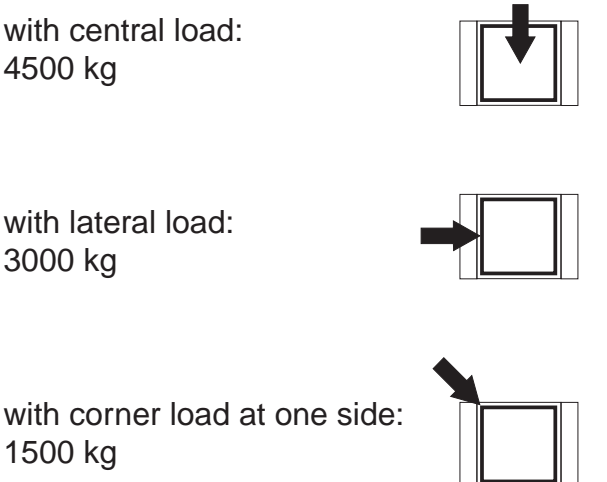


1. Determine location of weighing platform

- A Good**, sufficient room to load pallets on the weighing platform
- B Unsuitable**, difficult to access
- C Wrong**, unnecessary wear on weighing platform

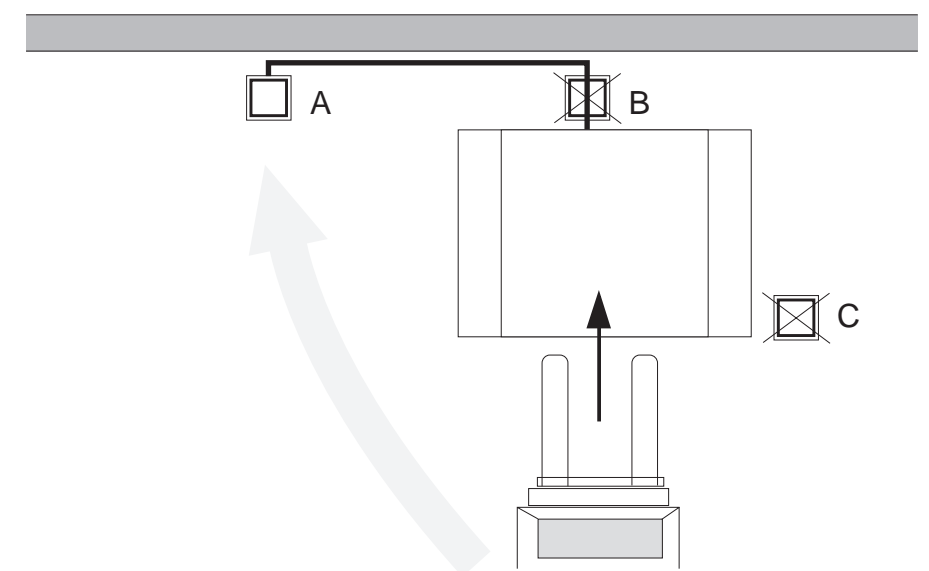
Note maximum static load:



Check that the location you have selected is acceptable from a constructional viewpoint!
Load-bearing capacity of pit base: min. 1700 kg / 25 cm²

2. Determine location of terminal

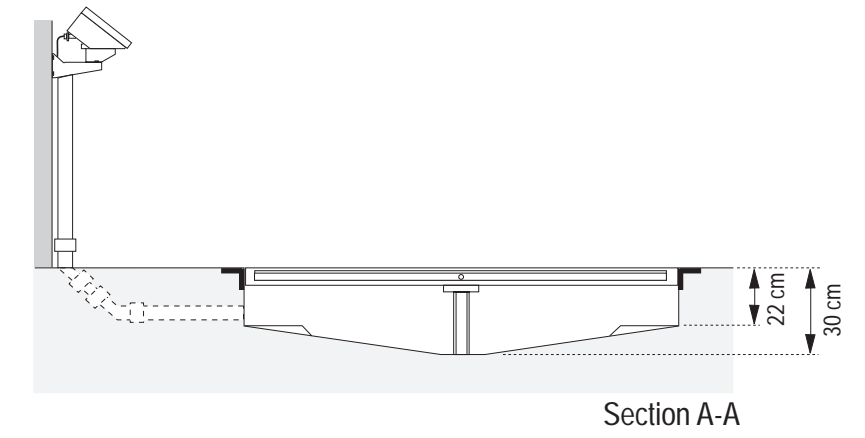
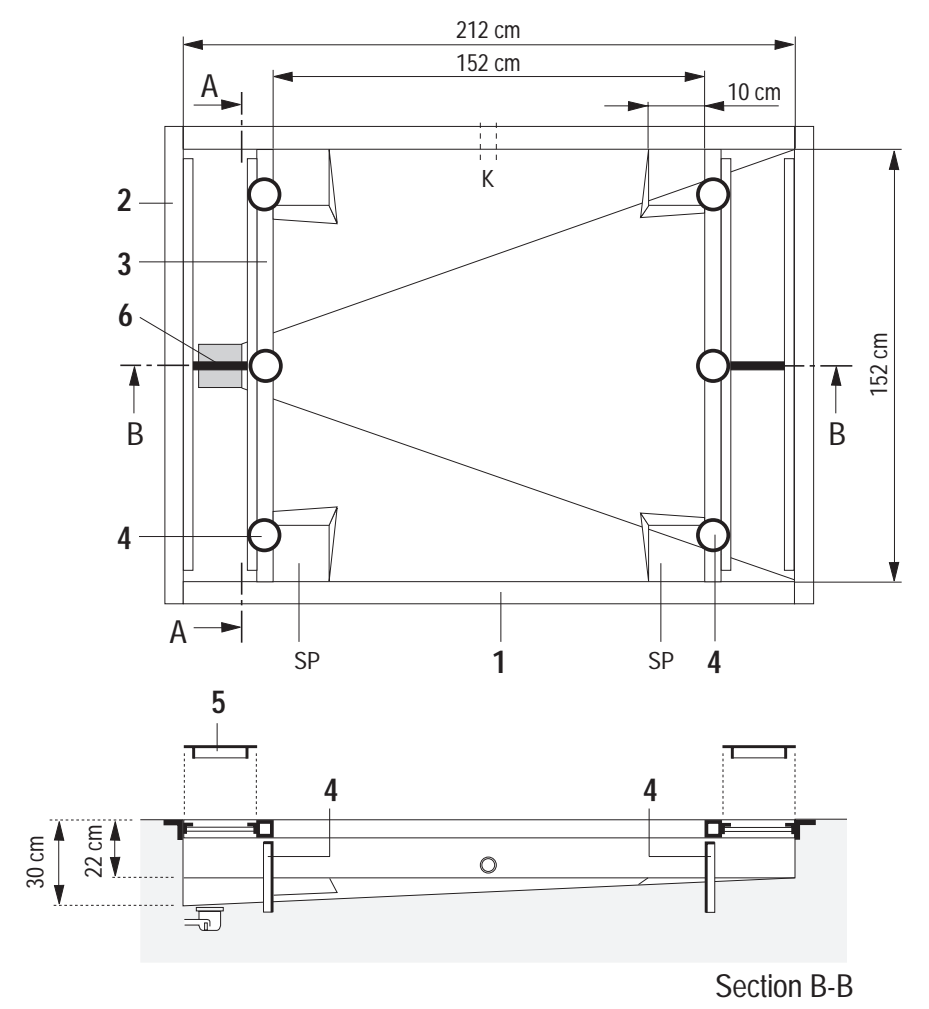
- A Good**
- B Unsuitable**, difficult to access
- C Wrong**, the terminal could easily be damaged



Set up terminal to ensure ease of access.
The standard equipment of the weighing platform includes a connection cable of length 4 m for attachment to the terminal.

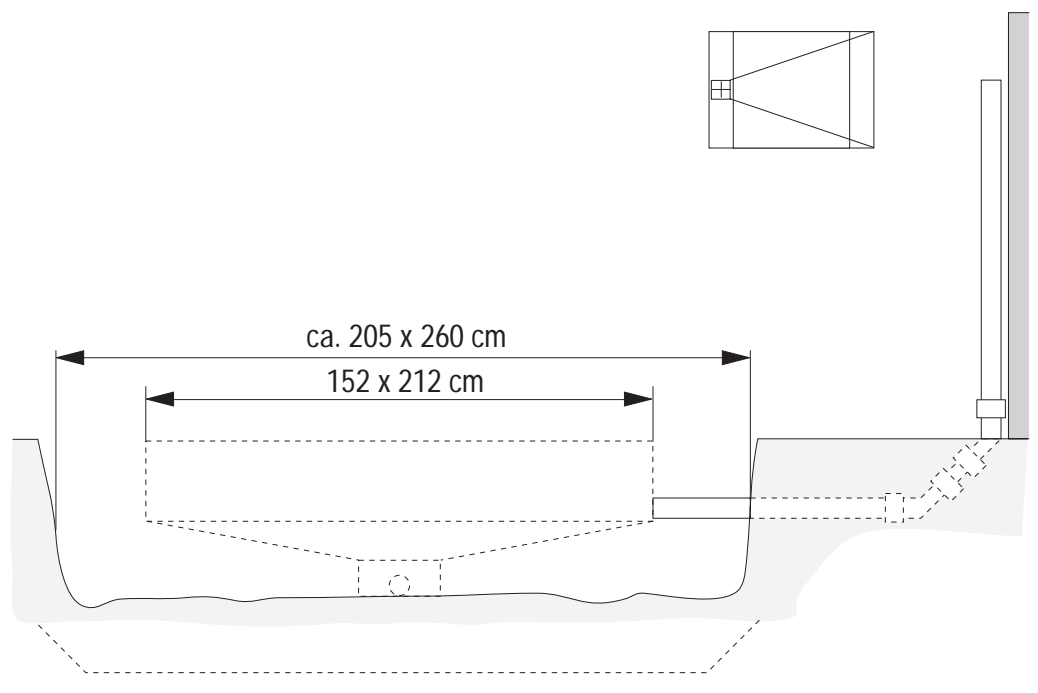
5. Dimension drawing

- SP** Support points for leveling feet of the weighing platform
- K** Cable conduit



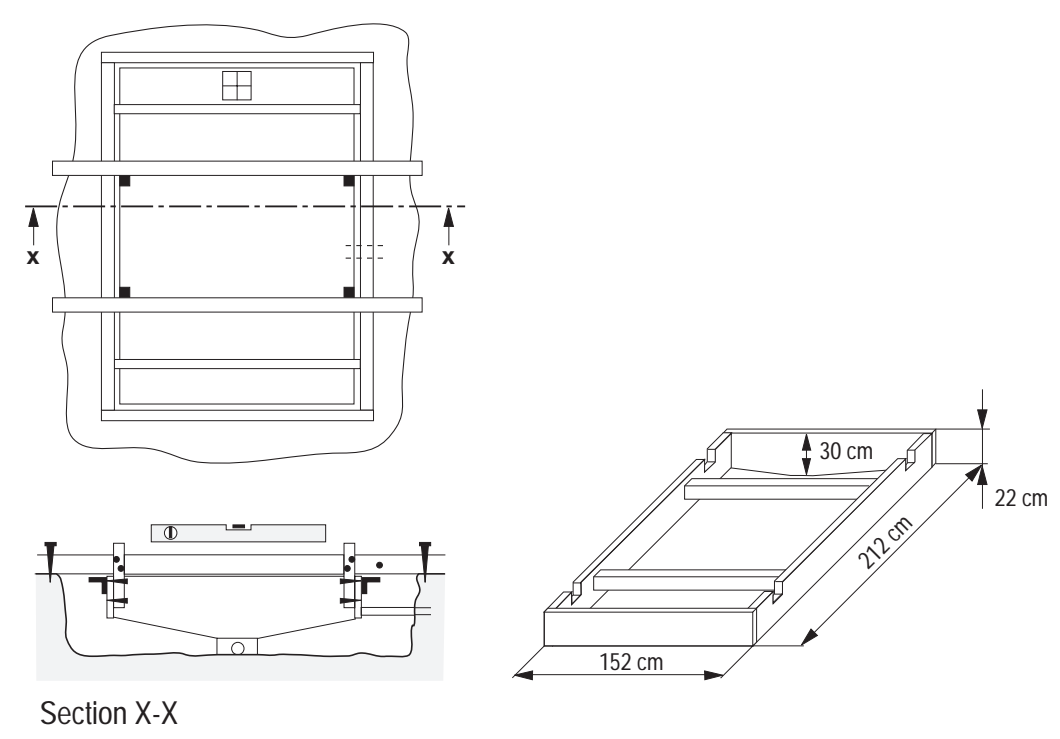
3. Prepare framework pit

- Excavate framework pit of approx. 205 x 260 cm, depth approx. 35 cm.
- Ensure appropriate gradient for drain water. Install recess with siphon as shown.
- Excavate channel of depth approx. 23 cm for cable conduit. The cable conduit should exit from the middle of one of the longer sides
- Pipe diameter min. 50 mm. Do not use a right-angled pipe, rather two pipes of 45°.



4. Concrete forming

- Assemble steel pit frame. When tightening the bolts ensure that the frame is flat. **Check that the frame is rectangular.**
- Prepare stable wooden frame (see sketch for dimensions). The steel frame must fit the wooden frame exactly.
- Install wooden frame together with steel frame in the framework pit. The steel frame must be exactly horizontal.
- When concreting ensure that the wooden frame remains in place.
- After the pit base has set and the formwork removed, concrete the supports for the leveling feet of the weighing platform



Standard equipment

Item No.	Designation	Number	Designation	Number
1	Pit brackets, lengthwise	2	Nuts M12 DIN 934	4
2	Pit brackets, crosswise	2	Locking plate	1
3	Support beams	2	Dowels	4
4	Support points	6	Screws	4
5	Cover plates for cleaning recess	2	Washers	4
6	Separators	2	Rubber grommets	2
	Hex bolts M12x30 DIN 933	24	Clamping plates	8
			Transport hooks	2
			Pit construction instructions	

Pit construction diagram

Wet pit with cleaning recess
METTLER MultiRange
KES1500/KES3000