

770MAX BACK COVER AND WALL MOUNT KIT 1000-69 INSTALLATION INSTRUCTIONS

The 1000-69 kit comprises the housing, front cover, rear cover, gaskets, and 16 self-tapping screws (Figure 1). Accessory cable grip kit 1000-80, ordered separately, comprises two sets of cable grips, nuts and washers to seal two patch cords or other cables 0.23 - 0.55" (5.8 - 14mm) in diameter. They will accommodate the modular connector on the patch cords. The cable grips require drilling 0.828" (21.0mm) holes in the housing for mounting.

Pre-Assembly

1. Drill holes in housing as required for conduit or waterproof cable grips per the dimensions shown (Figure 2). Install connectors as required.
2. Install small gasket on rear of 770MAX instrument housing being careful to align small cutouts with tabs in corners of instrument housing.
3. Install large gaskets to front and rear sides of housing, being careful to align cutouts with gasket surfaces on housing.

For Wall Mounting

4. Install front cover to the rear of the instrument housing using four (4) screws. Tighten screws evenly.
5. Install rear cover to the housing using six (6) screws as shown. Tighten screws evenly.
6. Mount housing to wall and install power and sensor cabling as needed.
7. Place instrument/front cover in temporary holding position as shown (Figure 3) and connect cabling to instrument.
8. Install instrument/front cover to front of housing with six (6) screws. Tighten screws evenly (Figure 4).

For Panel Mounting

4. Install 770MAX instrument into panel using gasket and machine screws supplied with instrument.
5. Install front cover to the front of the housing using four (4) screws. Tighten screws evenly.
6. Install front cover/housing to the rear of the instrument housing using four (4) screws as shown (Figure 1). Tighten screws evenly.
7. Install power and sensor cabling through waterproof connectors and connect cabling to instrument as needed.
8. Install rear cover to rear of the housing with six (6) screws. Tighten screws evenly (Figure 1).

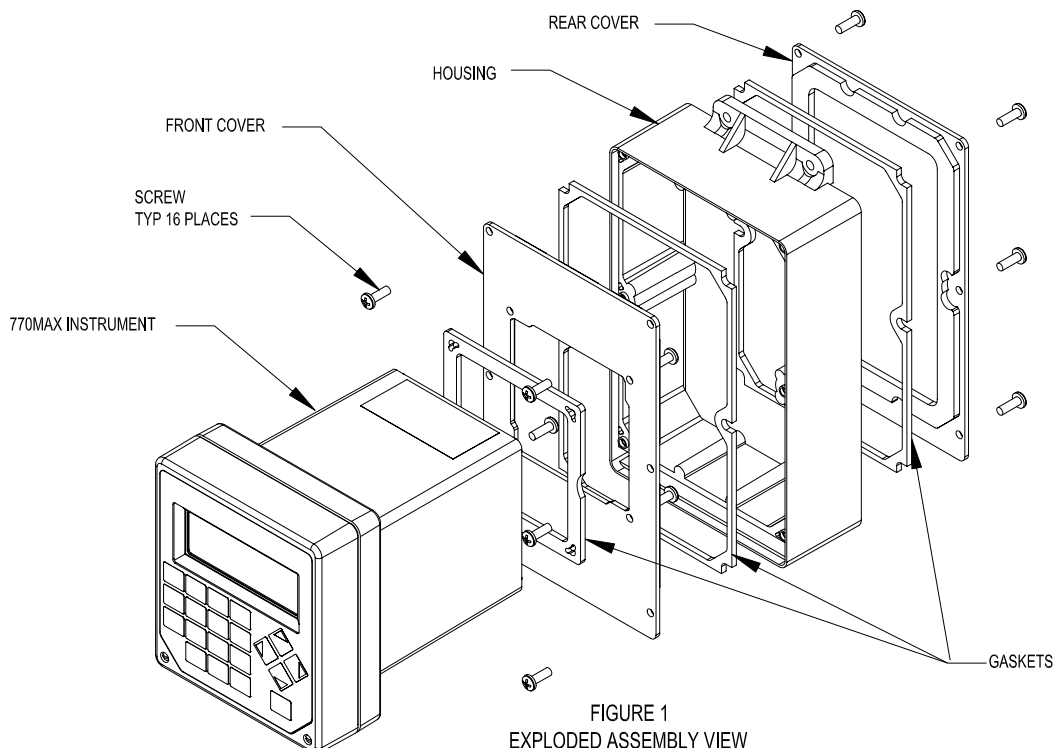


FIGURE 1
EXPLODED ASSEMBLY VIEW