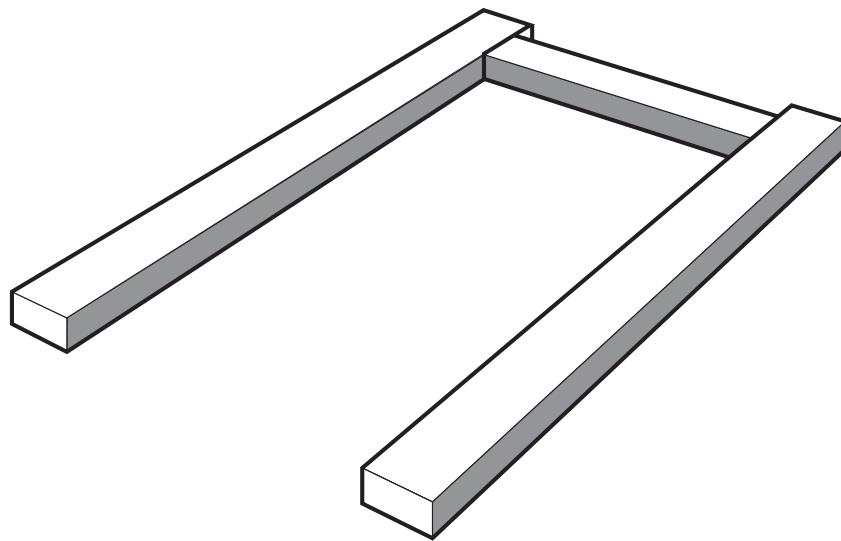


Installation information

METTLER TOLEDO MultiRange
Pallet Scales
DP line

METTLER TOLEDO



Contents	Page
1. General	3
2. Installation	3
3. Equipotential bonding	3
4. Setting	4
5. Scale configurations	4
6. Dimensions	5

1. General

- This installation information contains all necessary details regarding the setting up and putting into operation of the following weighing platforms:
DP600... / DP1500... / DP3000...
DPF600... / DPF1500... / DPF3000...
- Information regarding operation can be found in the operating instructions 00705985.
- Information regarding maintenance, rectification of malfunctions and repairs is contained in the service manual 00505645.

2. Installation

DP line

- The explosion-protected weighing platform is approved for operation in hazardous areas.
(Technical data see operating instruction)
There is an increased danger of injuries and damage when using the weighing platform in hazardous areas!
Exercise particular care when using in such areas. The rules for behavior are based on the concept of "Safe Distribution" established by METTLER TOLEDO.

Selection of the location

- The foundation at the installation site must be capable of safely supporting the weight of the scale at the support points when it carries the maximum load. At the same time, it should be so stable that no vibrations occur during weighing operations. These requirements also apply if the weighing platform is integrated in conveying systems and the like.
- Ensure the vibrations due to machines near the installation site are kept to a minimum.

Ambient conditions for the DP line

- Weighing platform can be used in a dry or wet environment.

Unpacking the accessories

Please ensure that the accessories supplied with the weighing platform are completely taken.

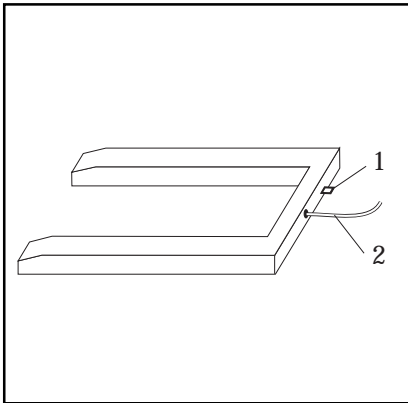
- 1 operating instruction
- 1 identification card
- 1 label set

3. Equipotential bonding

The equipotential bonding must be installed by a professional electrician when using the weighing platform in zones 1/2 and 21/22. METTLER TOLEDO Service only has a monitoring consulting here.

=> Connect equipotential bonding (PA) of all devices (weighing platform and service terminal) in accordance with the country-specific regulations and standards. In the process, make sure that all device housings are connected to the same potential via the PA terminals.

4. Setting



- Remove the scale and its accompanying accessories from the package.
- Set up the scale at its location and level using spirit level (1).
- Route connection cable (2) to the terminal.

Caution

Route connection cable to terminal so that it is protected against possible damage.

- Attach terminal.
Please consult the description of the terminal for the steps involved in attaching the terminal.

5. Scale configurations

The scale is configured in the factory as follows:

- verifiable
- SingleRange, 3000 e resolution

The identcard (identification card) is prepared with the appropriate measurement data plate in the factory.

Type	Maximum load	Readability	
		SingleRange SR verifiable	configurable MultiRange MR verifiable *
DP600..., DPF600...	600 kg	0,2 kg	0,1 / 0,2 kg
DP1500..., DPF1500...	1500 kg	0,5 kg	0,2 / 0,5 kg
DP3000..., DPF3000...	13000 kg	1,0 kg	0,5 / 1,0 kg

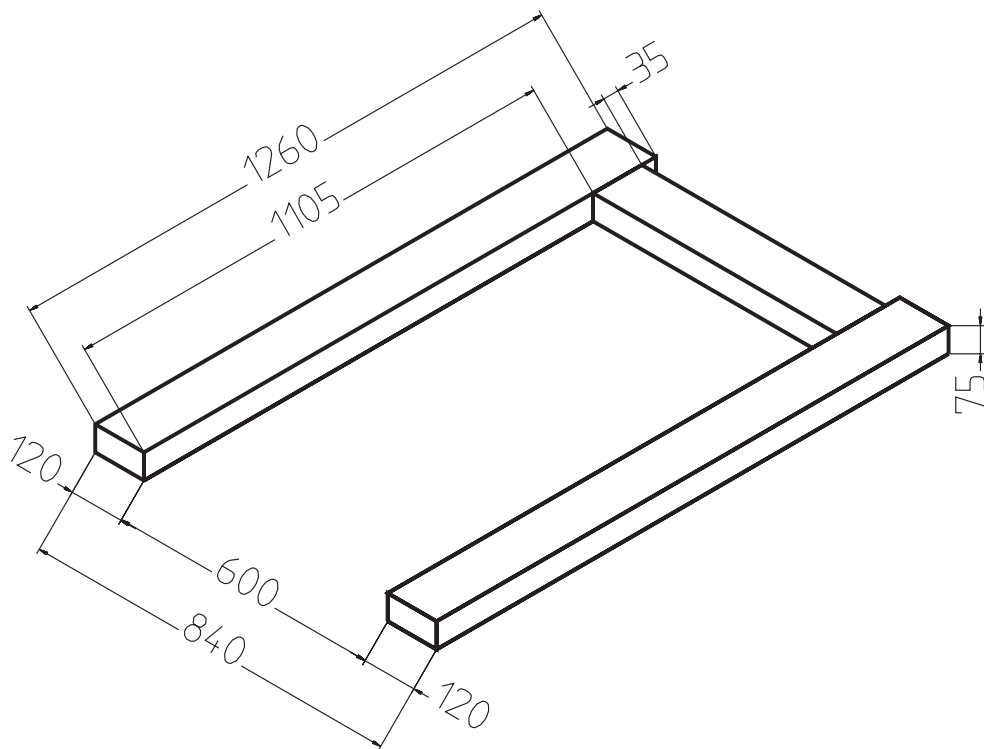
* IDNET version

The scale types listed above are supplied with an A/D-converter Point as standard. Additional versions can thus be configured in the service mode (free mode) description service manual A/D-converter Point 22004256.

Note

If the configuration is changed, the new measurement data plate must be affixed to the identcard.

6. Dimensions





00705995

Subject of technical changes © Mettler-Toledo (Albstadt) GmbH 05/03 Printed in Germany 00705995B

Mettler-Toledo (Albstadt) GmbH

D-72458 Albstadt

Tel. ++49-7431-14 0, Fax ++49-7431-14 232

Internet: <http://www.mt.com>