

# **Drilling patterns for Spider weighing platforms**

In certain places on Spider weighing platforms the customer can drill holes for fastening accessories and customer-specific attachments.

On the pages that follow you will find drawings for all Spider weighing platforms. The areas in which holes can be drilled are hatched and marked with an "X".

If anything is not clear, we recommend you to contact the relevant supplier or Mettler-Toledo GmbH.

## **Contents:**

Drilling pattern for Spider weighing platform 240 x 300 mm

Drilling pattern for Spider weighing platform 300 x 400 mm

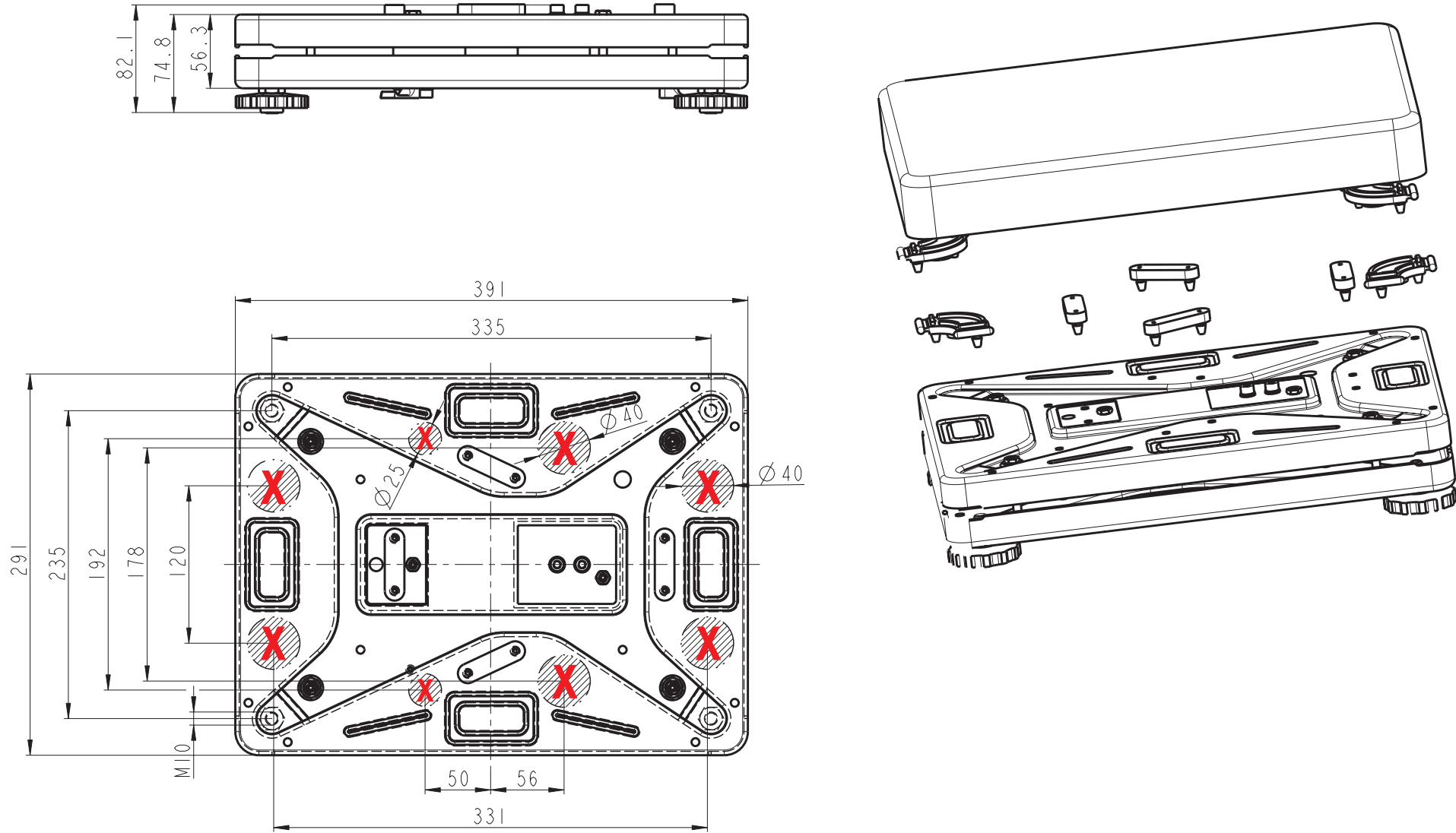
Drilling pattern for Spider weighing platform 400 x 500 mm

Drilling pattern for Spider weighing platform 500 x 650 mm



# Drilling pattern for Spider weighing platform 300 x 400mm

The areas in which holes can be drilled are hatched and marked with an "X". Material: stainless steel, thickness 3 mm.





# Drilling pattern for Spider weighing platform 500 x 650mm

The areas in which holes can be drilled are hatched and marked with an "X". Material: stainless steel, thickness 3 mm.

