

Mini-Tiger

Compact and portable



6kg or 15kg capacity

Easy to read display

Sleek Profile

Rugged frame

Up to 25 PLU

Battery option



Clear customer display



Clear LED display

METTLER TOLEDO

Wherever you are...
the Mini-Tiger is what you need in a price computing scale



Mini-Tiger

Price computing scale

- Fast and compact
- Flexible and accurate
- Portable
- Robust construction
- Quick PLU retrieval for high use items
- Battery option available
- Power saving and auto-switch off to extend battery life

Model	RN00-6S-CN-GB21	RN00-15S-CN-GB21
Capacity	6kg	15kg
Resolution	0.002kg	0.005kg
Minimum weight	40g	100g
Weigh plate size	293 x 202mm	293 x 202mm
Scale dimensions	312 x 117 x 328mm	312 x 117 x 328mm

Keyboard

- 14 function keys
- Tare key operation
- Zero key
- 25 numerical PLU

Display

- Easy to read LED display
- Weight display: 5 digits
- Price per kg: 5 digits
- Price to pay: 6 digits

Tare range

- Full capacity of scale

Power consumption

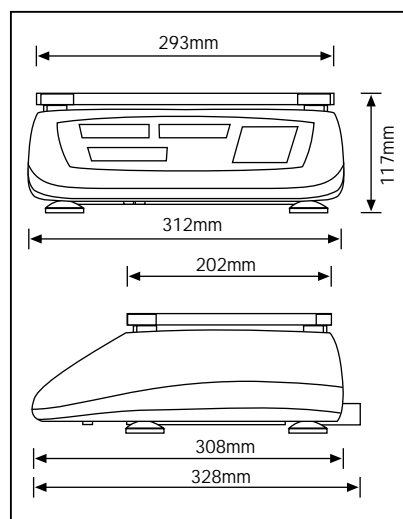
- 230V AD, 50Hz/12V DC

Operating range

- Temperature: 5°C to 40°C
- Humidity: 10% to 85%

Options

- Rechargeable 6V/5Ah lead-acid battery (Part number: 71207239)
- Car adapter cable: 12V adapter cable (Part number: 99440148)



CE Conformité
Européenne



Quality certificate
ISO 9001

Environment certificate
ISO 14001

Your local dealer is:



Mettler-Toledo Ltd

64 Boston Road, Beaumont Leys, Leicester LE4 1AW
Tel: 0116 235 7070 Fax: 0116 236 5500
Website: www.mt.com

Subject to technical changes © 08/2003 Mettler-Toledo Ltd. Printed in the UK

