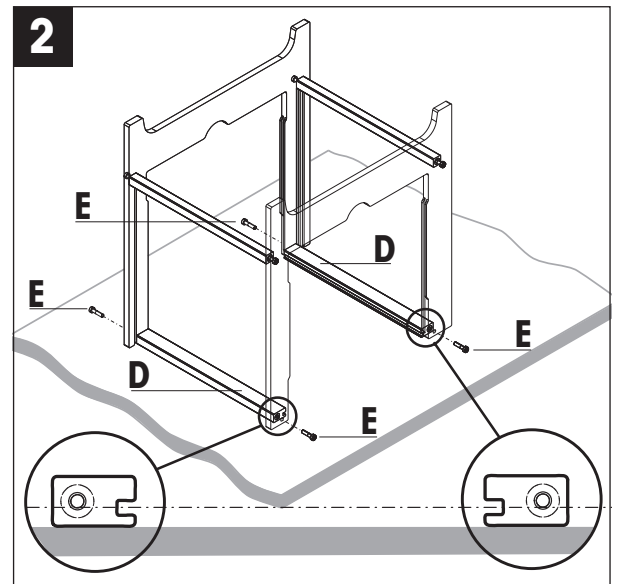
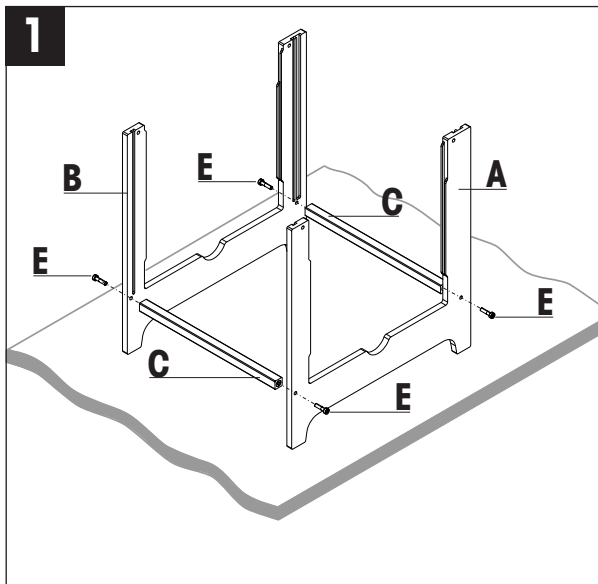
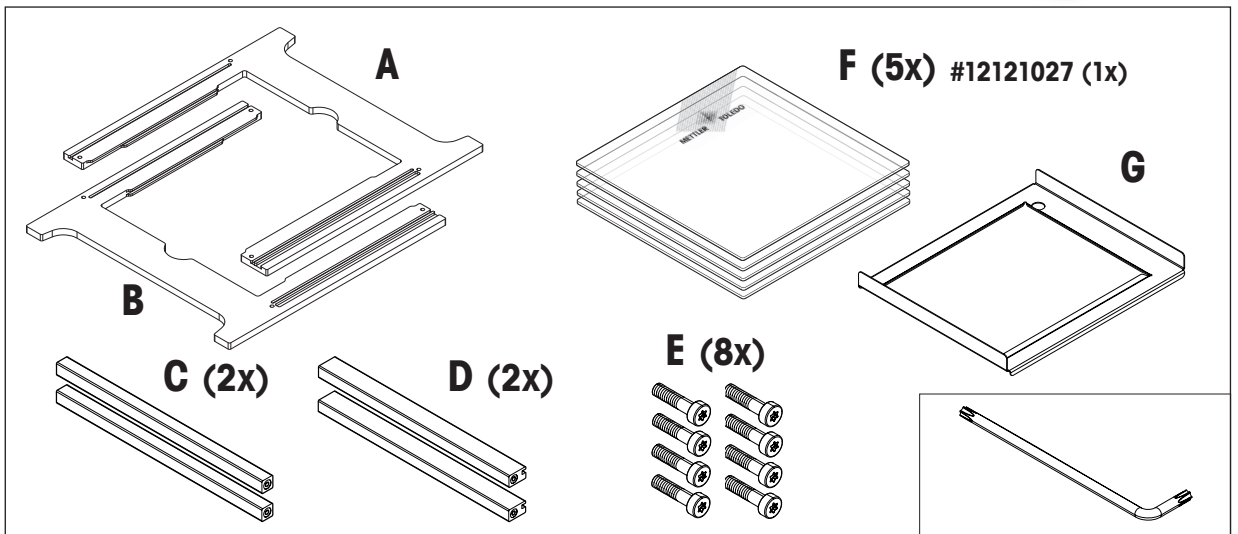
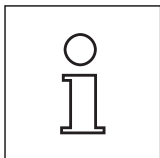
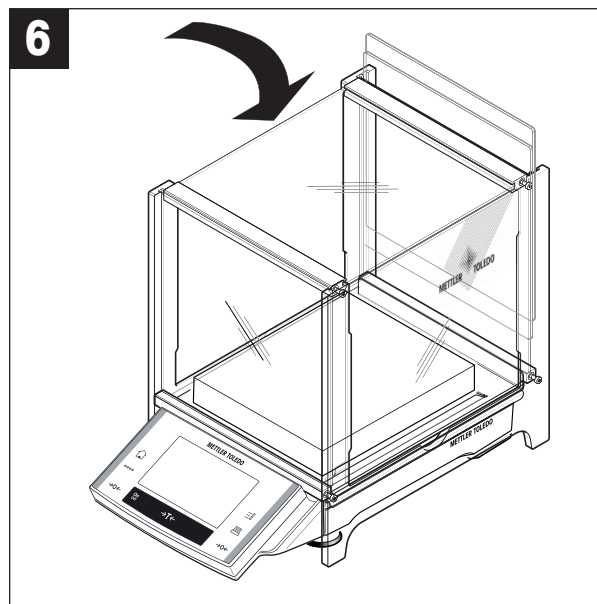
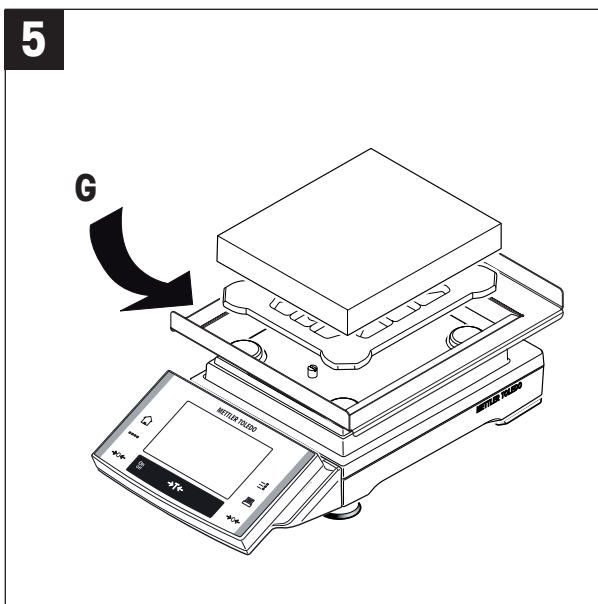
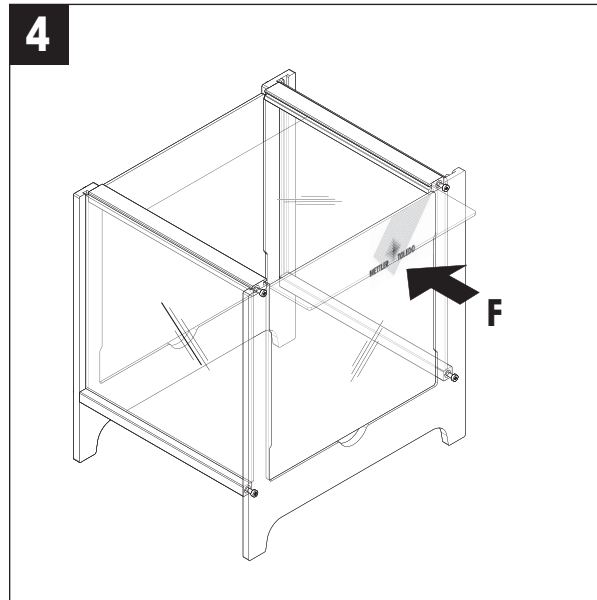
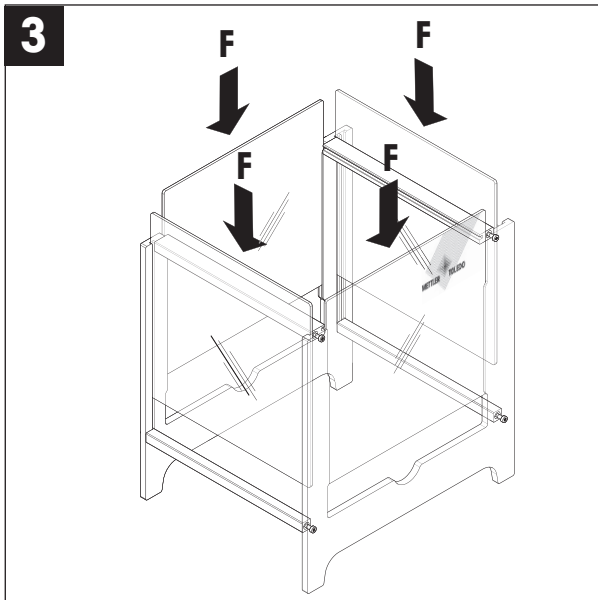


# Draft Shield XP-DS-21 for Excellence XP/XS Balances



METTLER TOLEDO



### Acrylic Care, Parts A and B

**Cleaning of acrylic glass (PMMA):** Wash with a mild soap or detergent and lukewarm water solution. Use a clean soft cloth or sponge and as much solution as possible. Rinse well! Dry by blotting with a damp cloth or chamois.

**DO NOT USE:** Window cleaning fluids, scouring compounds, disinfectants, gritty cloths, leaded or ethyl gasoline or strong solvents such as alcohol, ammonia, acetone, chloride, carbon tetra chloride etc..

[www.mt.com](http://www.mt.com)

For more information

**Mettler-Toledo AG**  
 Laboratory & Weighing Technologies  
 CH-8606 Greifensee, Switzerland  
 Phone +41 44 944 22 11  
 Fax +41 44 944 30 60

Subject to technical changes  
 © Mettler-Toledo AG 07/2012  
 30006578A en

