

Accessories



RAAD BOX™
Smart Sensor Network



Embedded Intelligence
For Weighing Applications

Convert conventional strain gauge load cell systems into a smart sensor network.

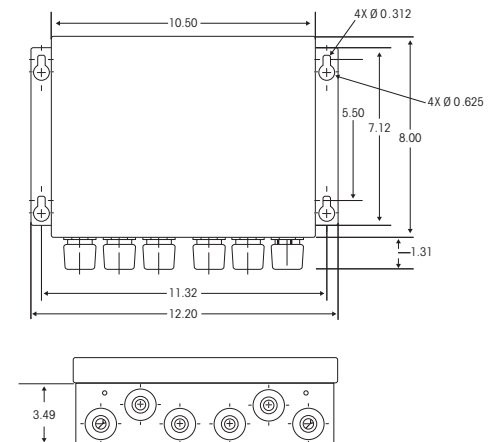
With the RAAD Box™ (Remote Addressable Analog to Digital), conventional strain gauge load cell systems can be transformed into advanced sensor networks. Instead of analyzing the combined signal from the load cell system, the RAAD Box embeds intelligence into each individual load cell, enabling you to analyze your system at the lowest level. Failures can be detected immediately, guarding you against costly downtime or product waste. Unique weighing applications can be addressed, providing cost effective solutions to today's real world challenges.

The RAAD Box accepts conventional 2 mV/V or 3mV/V analog strain gauge load cells and is compatible with METTLER TOLEDO IND780 and IND310 terminals.

Specifications	
Physical Dimensions (WxDxH)	30.98cm x 22.0 cm x 8.87 cm (12.20" x 8.66" x 3.49")
Operating Temperature	-10°C to 40°C (14°F to 113°F)
Power	Supplied from host terminal data connection

Features	Benefits
Analog to DIGITAL Conversion	Stronger signal free from RFI influence
Predictive Maintenance Diagnostics	Prevents wasted product, reduces downtime
4 MTX POWERCELL Cards	Allows connection to 4 analog load cells
Daisy Chain Multiple RAAD Boxes	Connect up to six RAAD Boxes
Connect up to 24 Analog Load Cells	Great for vehicle scale conversions
Update Rate	18 Hz
Resolution	Full scale resolution of A/D 500,000 count per cell
Load Cell Compatibility	2mV/V or 3mV/V analog load cells
Compensating "Run Flat" Technology	Continue production runs until defective load cell can be replaced
Monitor Individual Load Cell Channels	Great for diagnostics, as well as special application such as C of G determination
Connections	Terminal strips for field wiring
NTEP/OIML	Legal-for-trade applications, NTEP 00_052A1, OIML TC5815

- **Reduces Costs** – The RAAD Box reduces the costs and increases the availability of your system through online condition monitoring and diagnostics of each analog load cell.
- **Embeds Intelligence** – Embeds microprocessor intelligence into conventional strain gauge load cells.
- **Compatibility** – Compatibility to 2 mV/V or 3 mV/V analog load cells assures hassle-free load cell replacement.
- **Combine with the IND780 or IND310 Terminal** – Combine the RAAD Box with IND 780 or IND310, and predict, record and protect against failures and costly down time.



Mettler-Toledo, LLC
 1900 Polaris Parkway,
 Columbus, OH 43240
 Tel. (800) 786-0038 / (614) 438-4511
 Fax (614) 438 4900

Mettler-Toledo AG
 Sales International
 PO Box VI-400, CH-8606
 Greifensee, Switzerland
 Tel. +41-44-944 22 11
 Fax +41-44-944 31 70

Subject to technical changes
 © 2007 Mettler-Toledo, Inc.
 Printed in USA
 MTWT MarCom
 IA03340.1E

www.mt.com

Visit for more information



Quality certification. Development, production, and auditing in accordance with ISO9001. Environmental management system in accordance with ISO14001.

METTLER TOLEDO Service

Tailored Services. Our extensive service network is among the best in the world and ensures maximum availability and service life of your product.



Conformité Européenne
 This label is your guarantee that our products conform to the latest guidelines.