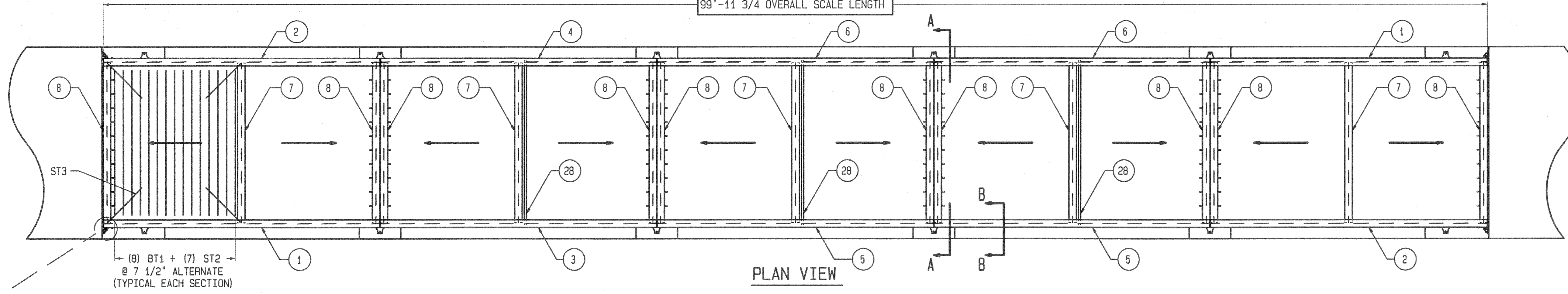
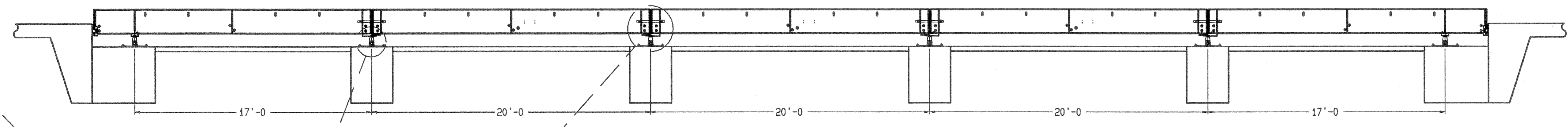


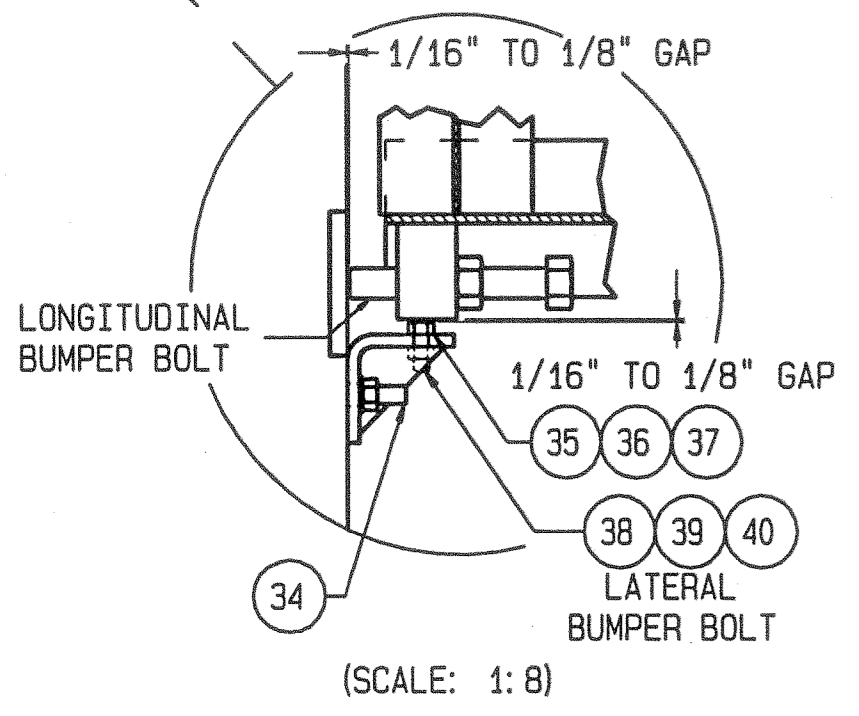
99'-11 3/4" OVERALL SCALE LENGTH



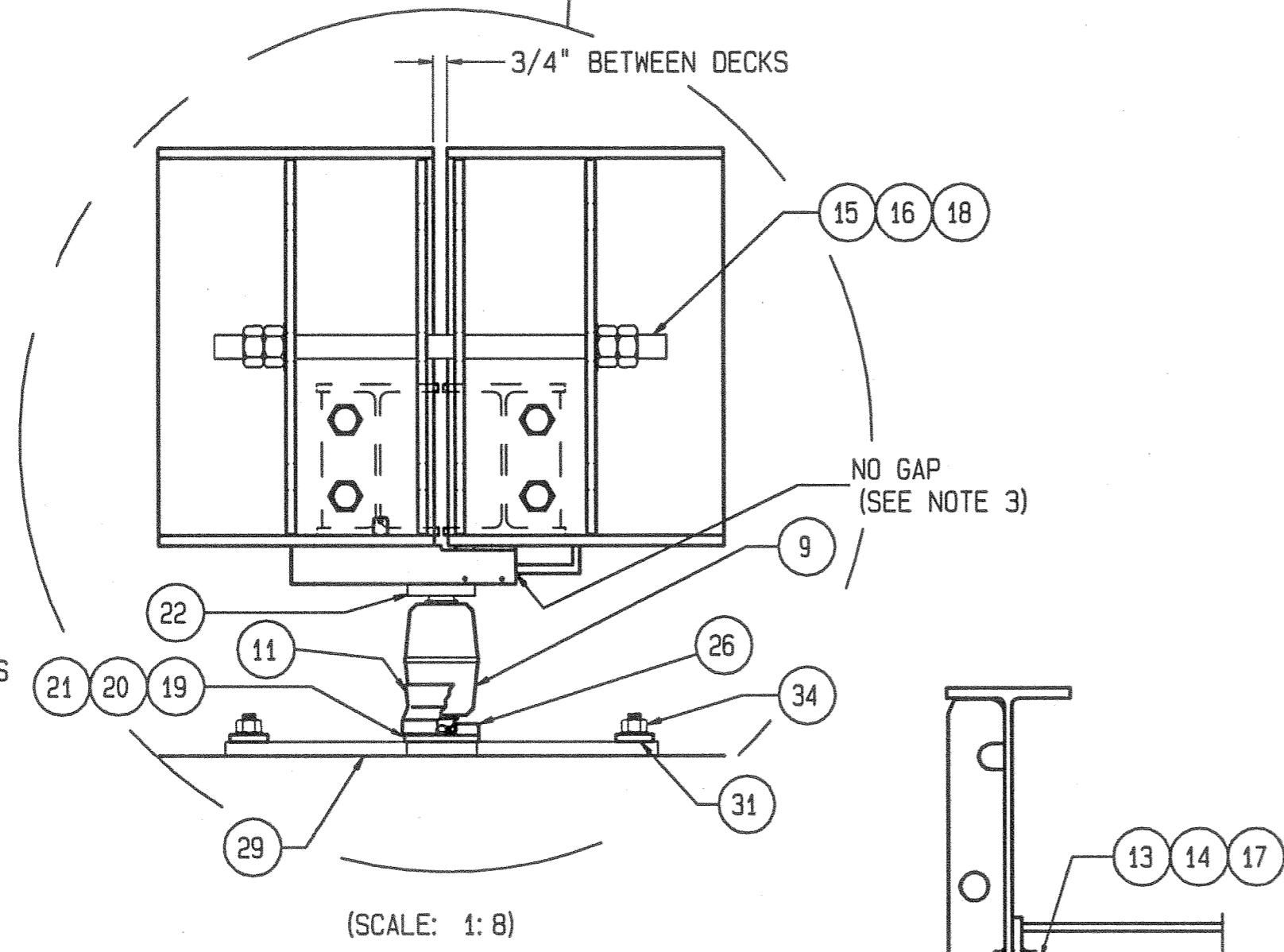
PLAN VIEW



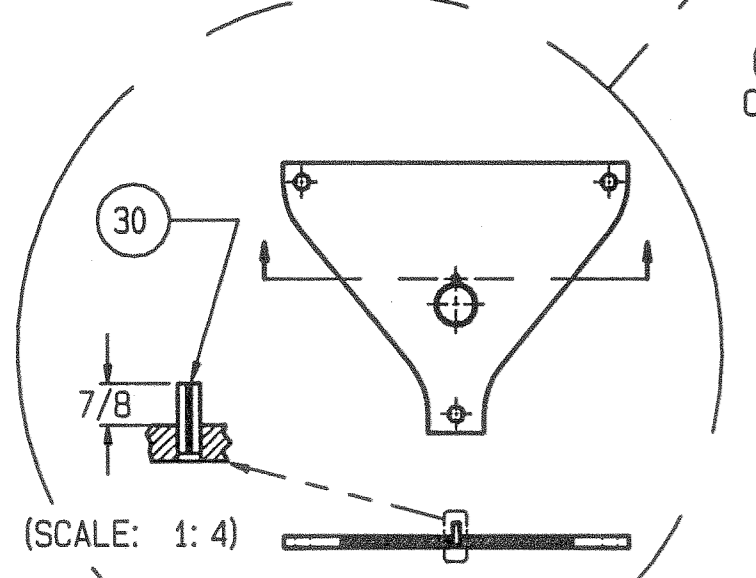
SIDE VIEW



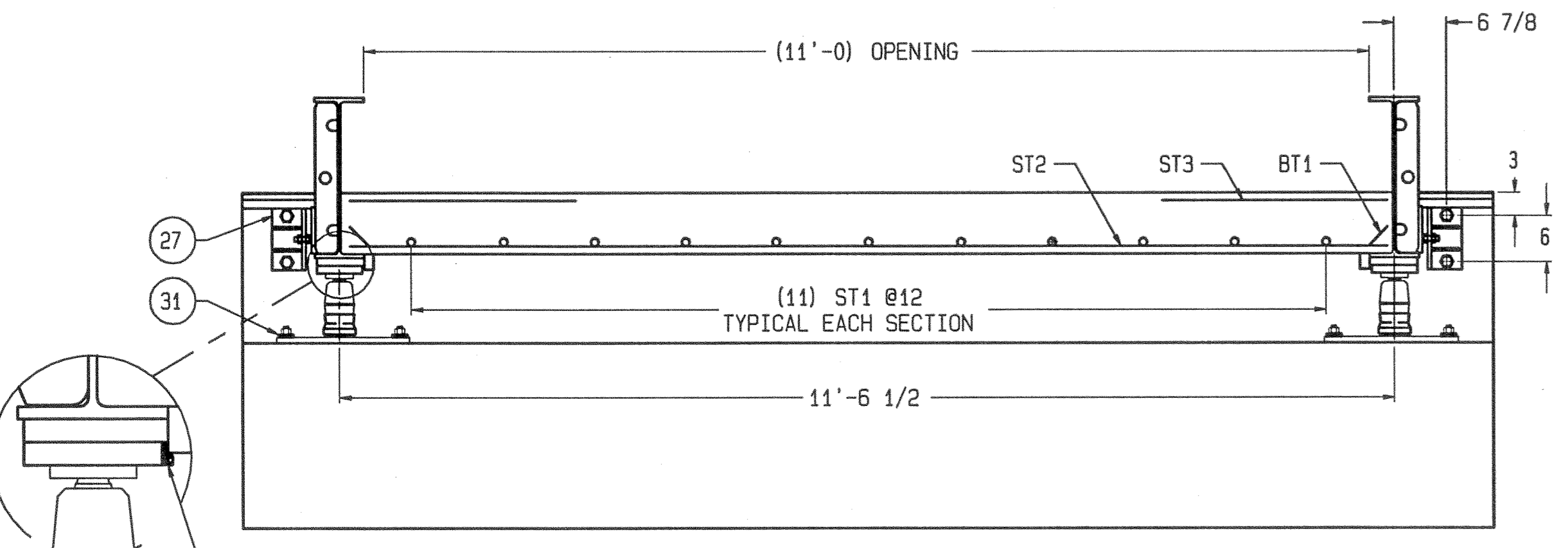
(SCALE: 1:8)



B-B (SCALE: 1:8)



BASEPLATE ROLL PIN DETAIL (REF.)



A-A (SCALE: 1:16)

NOTES

- INSTALL THE PROVIDED ROLL PINS INTO THE LOAD CELL BASEPLATES AS SHOWN IN THE BASEPLATE ROLL PIN DETAIL. PLACE THE BASEPLATES IN POSITION (REFER TO FOUNDATION DRAWING). PLACE 3/16" OF RECEIVER SHIMS ON THE BASEPLATES AND THEN INSERT THE LOWER RECEIVERS AND LOCATING TOOLS. INSERT THE UPPER RECEIVERS INTO THE MAIN BEAMS, MAKING SURE TO GREASE THE UPPER RECEIVER O-RING USING THE PROVIDED LUBRICANT.
- PLACE SHORING ON THE FLOOR OF THE FOUNDATION. SET MAIN BEAMS ON SHORING AT THEIR APPROXIMATE LOCATIONS AND THEN PLACE CROSS BEAMS ACCORDINGLY. IF THE SCALE IS COMPRISED OF MORE THAN ONE MODULE, BE SURE THAT THE MAIN BEAM WITH THE TRANSFER BAR IS PLACED FIRST AT EACH JOINT.
- LOOSELY ATTACH THE CROSS BEAMS TO THE MAIN BEAMS USING THE HARDWARE PROVIDED (SEE B-B & PLAN VIEW).
- IF THE SCALE IS COMPRISED OF MORE THAN ONE MODULE, LOOSELY INSTALL THE TIE RODS BETWEEN MODULES. BE SURE TO PULL THE MODULES TOGETHER SUCH THAT THE TRANSFER BAR ENDS COME INTO CONTACT WITH THE MATING BEAM'S ALIGNMENT BAR, BUT DO NOT FULLY TIGHTEN THE TIE ROD NUTS.
- ONCE ALL BEAMS HAVE BEEN PLACED AND LOOSELY ASSEMBLED, CHECK SQUARENESS OF THE SCALE AND MAKE NECESSARY ADJUSTMENTS TO BRING THE SCALE INTO SQUARE. MAINTAIN AN EQUAL DISTANCE TO THE PIT WALL AT EACH END.
- TIGHTEN ALL CROSS BEAM BOLTS (SEE NOTE 11).
- IF THE SCALE IS COMPRISED OF MORE THAN ONE MODULE, INSTALL THE TRANSFER BAR SIDE SHIMS AT EACH JOINT AS REQUIRED TO ALIGN THE MODULES AND PREVENT LATERAL MOVEMENT (SEE A-A).
- TIGHTEN AND LOCK NUT ALL TIE RODS (SEE NOTE 11).
- INSTALL (3) EXPANSION ANCHORS AND WASHERS AT EACH BASEPLATE.
- SET LONGITUDINAL BUMPER BOLT GAP (SEE PLAN VIEW DETAIL). LOCATE THE LATERAL BUMPER BRACKET EXPANSION ANCHORS USING THE BRACKET AS A TEMPLATE AND INSTALL. SET THE LATERAL BUMPER GAP AS SHOWN, AND THEN TIGHTEN ALL BUMPER BOLT LOCKNUTS (SEE NOTE 11).
- THE "TURN OF THE NUT METHOD" (TIGHTENING NUTS AN ADDITIONAL ONE-HALF TURN PAST SNUG TIGHT) IS TO BE USED WHEN INSTALLING HARDWARE.
- FORM THE SCALE DECK BY USING 28 GA. MIN. CORRUGATED DECKING OR EQUIVALENT MATERIAL (CORRUGATION TO RUN Laterally). BE SURE DECKING IS RESTING SOLIDLY ON THE SHORING.
- PLACE THE REINFORCING STEEL AS SHOWN. REBAR MINIMUM DEPTH OF COVER SHOULD BE IN ACCORDANCE WITH THE LATEST ACI BUILDING CODE REQUIREMENTS FOR STRUCTURAL CONCRETE (ACI 318 - SECTION 7.7), UNLESS OTHERWISE SPECIFIED. INSTALL LATERAL CONDUIT ASSEMBLIES WHERE SHOWN.
- POUR CONCRETE. USE 4000 PSI CONCRETE AT A 28 DAY CURE WITH 5-7% AIR ENTRAINMENT. THE CONCRETE SHALL BE PLACED ACCORDING TO THE LATEST ACI CODE BOOK. SLOPE CONCRETE AS SHOWN BY ARROWS IN THE PLAN VIEW.
- AFTER THE CONCRETE HAS CURED, RECHECK BUMPER GAPS.
- INSTALL THE LOAD CELLS AS SHOWN, USING SHIMS AS REQUIRED TO BRING THE MODULES TO THE SAME HEIGHT. DURING LOAD CELL INSTALLATION, GREASE THE INTERIOR BEARING SURFACES OF ALL RECEIVERS WITH SUPPLIED LUBRICANT. REFER TO THE WIRING DIAGRAM FOR CABLE AND J-BOX INSTALLATIONS.
- CORRUGATED DECKING, SHORING, REBAR, AND CONCRETE TO BE FURNISHED BY OTHERS. FOR MORE DETAIL ABOUT THE INSTALLATION OF THIS SCALE, REFER TO THE 7531 MANUAL.
- OVERALL SCALE DIMENSION SHOWN IS NOMINAL, ACTUAL TOLERANCE IS -0 +1".

MATERIAL SUMMARY		QUANTITY
CONCRETE (CU. YD.)		29
REINFORCING STEEL (LB)		4191
CORRUGATED DECKING (SQ. FT.)		1150

REINFORCING STEEL SCHEDULE (A.S.T.M. A-615 GRADE 60)

SYM	QTY	SIZE	LOCATION, DIRECTION	LENGTH	WGT
ST1	110	#5	LONGITUDINAL	9'-5"	1080
ST2	70	#7	LATERAL	11'-2"	1598
ST3	40	#5	CORNER TOP DECK	3'-6"	146
BT1	80	#6	BENT LATERAL	11'-4 1/2"	1367

REV	CHANGE	BY	DATE	SCALE
A	UPDATED DETAIL VIEWS	MT	03/21/00	DATE 12/14/99
B	REPLACED POWERCELL (ITEM#9) WITH MTX	MEB	02/26/08	DRN MT APPR TJB

ITEM	QTY	PART NUMBER	DESCRIPTION
42	1	**	TOUCHUP PAINT KIT
41	2	TN203217	LUBRICANT, LOADCELL RECEIVER
40	12	MZ0901030062	5/8" FLAT WASHER F436
39	4	MZ0901020066	5/8-11 HEX NUT GR8 ZN
38	4	MZ0901010506	5/8-11 X 1-3/4 HHCS A-325 ZN
37	4	TA200357-3	SLOTTED SHIM 22 GA (.031)
36	4	TA200357-2	SLOTTED SHIM 16 GA (.062)
35	4	TA200357-1	SLOTTED SHIM 11 GA (.125)
34	44	TN203216	ANCHOR BOLTS
33	1	TN203056	CONNECTOR DIELECTRIC COMPOUND
32	1	TB202627	CONNECTOR CLEANER
31	36	MZ0901030111	3/4" PLAIN WASHER ZINC PLATED
30	12	MZ0904000063	Ø1/2 X 1-1/2 LG. ROLL PIN
29	12	TA203619	LOAD CELL BASE PLATE
28	3	TA201886-2	EMT CONDUIT ASSEMBLY, 141"
27	4	TA203669	SIDE BUMPER BRACKET ASSY.
26	12	TA200814	LOWER RECEIVER
25	8	TA200801-3	SIDE SHIM 16 GA
24	8	TA200801-2	SIDE SHIM 11 GA
23	8	TA200801-1	SIDE SHIM 1/4
22	12	TA200764	UPPER RECEIVER
21	12	TA200712-3	RECEIVER SHIM 7 GA
20	24	TA200712-2	RECEIVER SHIM 16 GA
19	24	TA200712-1	RECEIVER SHIM 11 GA
18	8	MZ0901050006	TIE ROD 1 1/4-7 X 24
17	122	MZ0901030109	1" WASHER F436 ZN
16	16	MZ0901030015	1 1/4 FLAT WASHER
15	32	MZ0901020068	1 1/4-7 HEX NUT
14	62	MZ0901020062	1-8 HEX NUT GR8 ZN
13	62	MZ0901010505	1-8 X 3 HHCS GR8 ZN
12	18	MZ0901010239	10-32 X 3/4 SS SCREW
11	12	TN203705	BOOT (WITH MTX LOAD CELL)

ITEM QTY PART NUMBER DESCRIPTION
KIT OF PARTS: TC204323-1

ITEM	QTY	PART NUMBER	DESCRIPTION
--	1	TC204323-1	INSTALLATION KIT
--	1	TC100495-5	WIRING KIT
9	12	*15476400A	MTX LOAD CELL 25mt CAPACITY
8	10	TA203616	CROSS BEAM END
7	5	TA203617	CROSS BEAM MIDDLE
6	2	TB203631	20' MAIN BEAM, MID, RIGHT, TBAR
5	2	TB203630	20' MAIN BEAM, MID, LEFT, TBAR
4	1	TB203623	20' MAIN BEAM, MID, RIGHT
3	1	TB203622-00A	20' MAIN BEAM, MID, LEFT
2	2	TB203625-00B	20' MAIN BEAM, END, RIGHT
1	2	TB203624-00B	20' MAIN BEAM, END, LEFT

ITEM QTY PART NUMBER DESCRIPTION
MAJOR BILL OF MATERIAL

* LETTER PREFIX REPRESENTS PRODUCT REVISION LEVEL.
** PART NUMBER DEPENDS ON THE TYPE OF FINISH.

METTLER TOLEDO

UNLESS OTHERWISE SPECIFIED, ALL DIMENSIONS ARE IN INCHES, AND DIMENSIONAL TOLERANCES ARE:
FRACTIONAL .XX ±.02 ANGLULAR ±.5°
DECIMAL .XXX ±.005

TC204323 REV B