

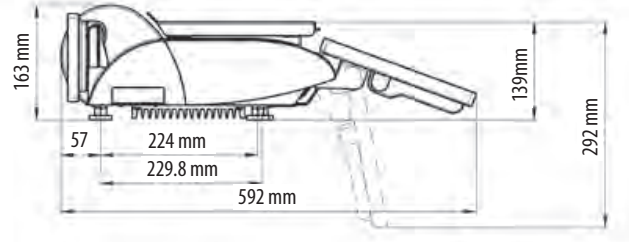
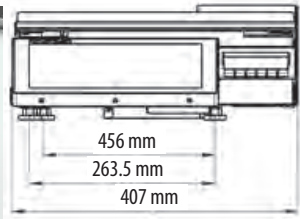
## UC-CWx/UC-GT Evo Specifications

Specifications for UC-CWQ Evo, UC-CWT Evo, & UC-GT Evo scales.

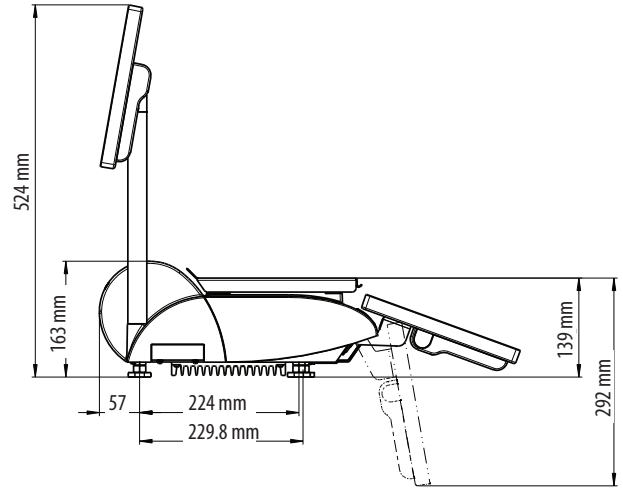
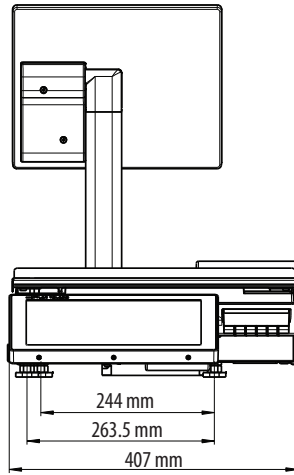
Description	Specifications
Capacity x Division	30 x 0.01 lb, 15 x 0.005 kg, 6/15 x 0.002/0.005 kg multi-interval 15/30 x 0.005/0.01 lb multi-interval
Platter Dimension	W: 15.75" x D: 9.75"
Weight of Unit	30 lb (13.6 kg)
Shipping Weight	40 lb (18.2 kg) Q/GT, 46 lb (20.8 kg) T
Base Construction	Aluminum Die Cast w/sheet metal bottom
Operator Display and Keyboard	12.1" backlit color LCD with touchscreen and LED backlighting
Printer	3" (76 mm) up to 5"/sec thermal, 6" roll capacity
Power	100-240 VAC, 50/60 Hz, 2.2A
Operating Temperature	0° C to 40° C, humidity 5% to 95% non condensing
Storage Temperature	-20° C to 70° C with humidity from 5% to 95% non condensing
Network Interface	Ethernet 100/10 MBPS Wired or WiFi 802.11 a/b/g
Processor	1.60 GHz ATOM N270 or 1.66 GHz ATOM D510 Dual Core
Memory	1GB (2GB optional)
Mass Storage	160 GB or larger SATA hard drive
Customer Display	UC-CWQ - Color 5.7" VGA UC-CWT - Color 12.1" SVGA
Options	Barcode Scanner (UC-CWQ and UC-GT)
USB ports	2 available
Operating System	Windows® XP Embedded or Linux openSUSE 10.3 (Q w/N270 only)



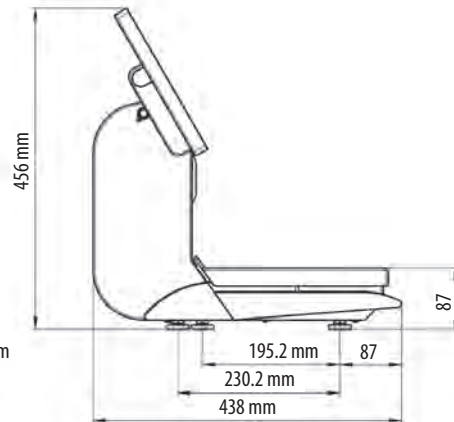
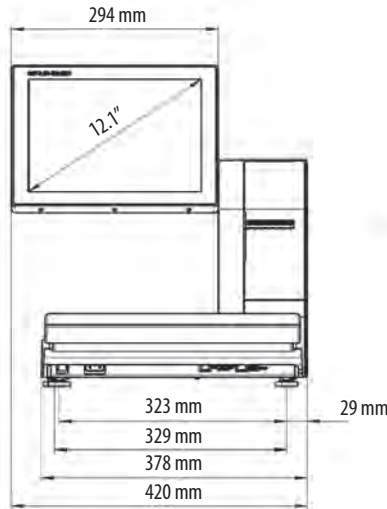
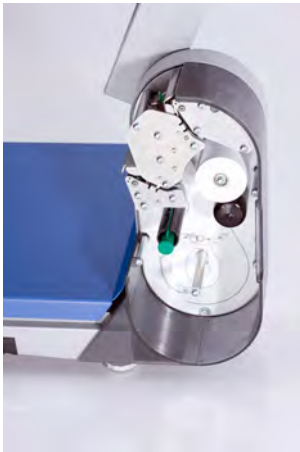
**METTLER TOLEDO**



**UC-CWQ Evo Dimensions (mm)**



**UC-CWT Evo Dimensions (mm)**



**UC-GT Evo Dimensions (mm)**