

Enhanced InTrac® Series – When process safety is crucial!

Technical data



InTrac 777 e

Short description

InTrac retractable housings from METTLER TOLEDO with TRI-LOCK™ safety system enable the installation of electrodes/sensors in the chemical, pharmaceutical and food & beverage industry. Sensors can be calibrated and cleaned without interrupting the process which dramatically increases sensor life and reduces intensive maintenance.

Features

- TRI-LOCK™ safety system
- Cleaning and calibration without interrupting the process
- Various immersion depths to suit reactors, tanks or pipes sizes
- Large selection of materials of construction according to demanding application requirements
- Flexible process adaptations for the chemical, pharmaceutical and food & beverage industry
- Sterile double rinsing chamber (InTrac79Xe)
- Easy installation and withdrawal while the process is running
- ATEX (94/9/EC)

Content

Operation and System	2	Technical specifications	12
General operation	2	Technical specifications InTrac776e	12
TRI-LOCK™ safety system	3	Suitable electrodes	13
Complete measuring system	4	Technical specifications InTrac77Xe/79Xe	14
Pneumatic and other connections	5	Suitable electrodes/sensors	15
Dimensional drawings	6	Ordering information	16
Dimensional drawings InTrac776e	6	Product structure InTrac776e/InTrac777e/ InTrac779e	16
Dimensional drawings InTrac777e/InTrac779e	7	Product structure InTrac797e/InTrac799e	17
Dimensional drawings InTrac797e/InTrac799e	8	Accessories	19
Process connections	9	Spare parts	19
		Additional documentation	19

METTLER TOLEDO

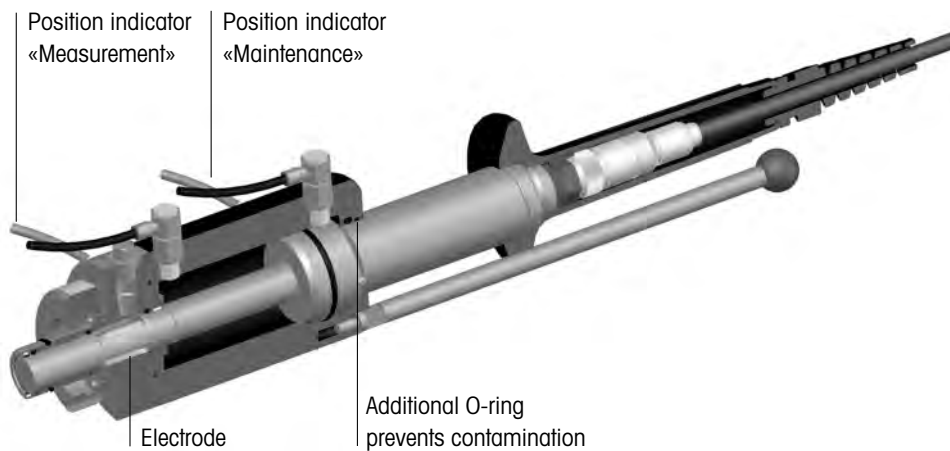
General operation

With InTrac retractable housings reliable measurements of pH/ORP, dissolved oxygen, CO₂, conductivity, and turbidity can be achieved in process applications. The large selection of materials in contact with the media and flexible process adaptation makes the housings suitable for applications in the chemical and the pharmaceutical industry and also meets the demands of engineering companies. The sterilizable InTrac79Xe housing is designed to meet the highest demands of the food & beverage and pharmaceutical industry where sterile conditions are required. The housing can be operated manually or pneumatically and allows electrodes/sensors to be:

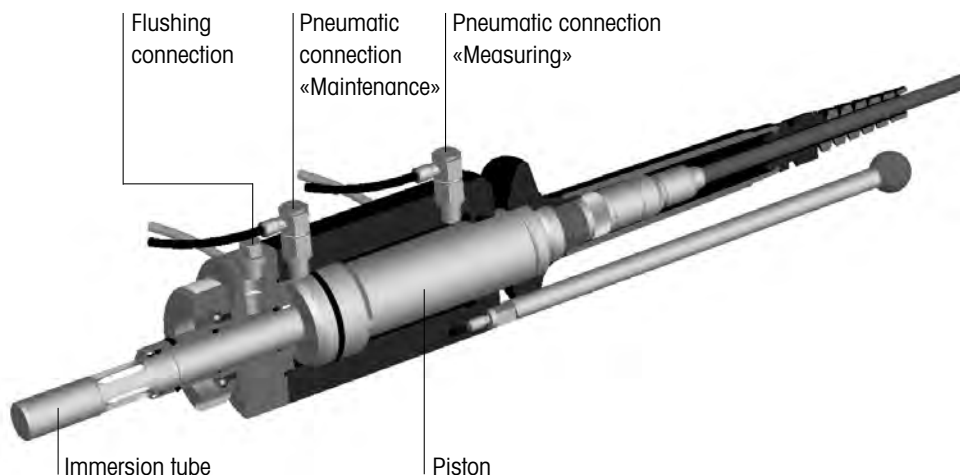
- separated from the process and retracted into the flushing chamber
- rinsed with water or cleaning solution
- calibrated
- completely un-installed
- sterilized (InTrac79Xe).

InTrac housings are available in stainless steel DIN 1.4404/AISI 316L, DIN 2.4602/AISI Alloy C22 (i.e. Hastelloy C22) or titanium as well as in Polypropylene (PP), Polyvinylidenfluoride (PVDF) or Polyetheretherketone (PEEK) as wetted parts. Housings with short insertion length (70 mm or 100 mm) for pipe installation and longer insertion length (200 mm) for in-stallation in a reactor can be selected. A wide range of process fittings are available to meet your requirements (see section «process connections»). The InTrac79Xe is only available in stainless steel and with a short insertion length, for pipe installation > DN50 (2") or installation in a reactor.

Maintenance position

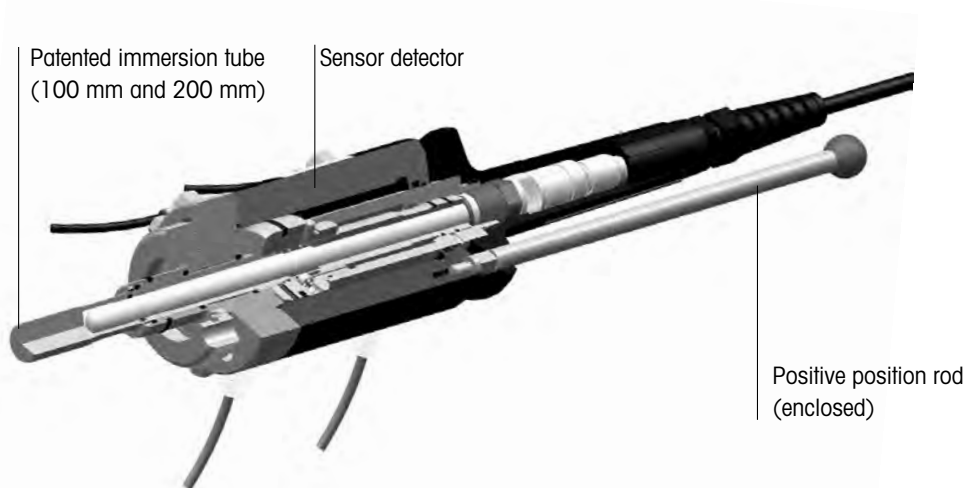


Measuring position



TRI-LOCK™ safety system

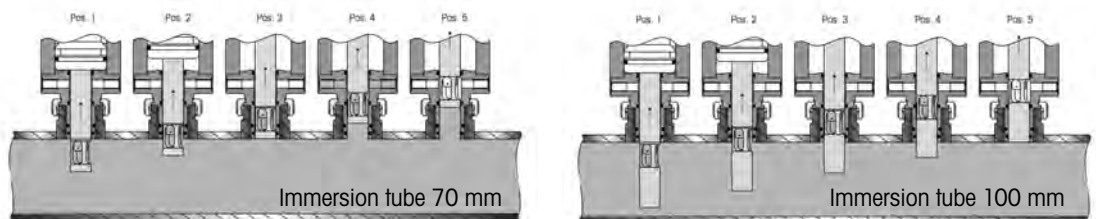
With TRI-LOCK™ safety system from METTLER TOLEDO the risk of unintentional insertion of the electrode/sensor into the process or unintentional replacement of the electrode in the measuring position is minimized. This substantially increases the process safety of your measuring loop. The use of optional position indicators further improves operation safety. The pneumatic or inductive position indicators reliably signal that the electrode is in the measuring or in the maintenance position.



The positive position rod prevents the insertion tube from turning and therefore keeps it in an optimized position for flushing the sensor but also keeps the sensor/electrode in the best measuring position possible. In addition it reduces the risk of unintentional remove of the sensor/electrode while in the measuring position. The positive position rod is optional with all InTrac777e/779e housings as well as with InTrac797e and 799e housings.

The sensor detector prevents the housing from being inserted in the process without an installed sensor. The risk of unintentional release of process media is therefore eliminated. The sensor detector is standard with all InTrac housings.

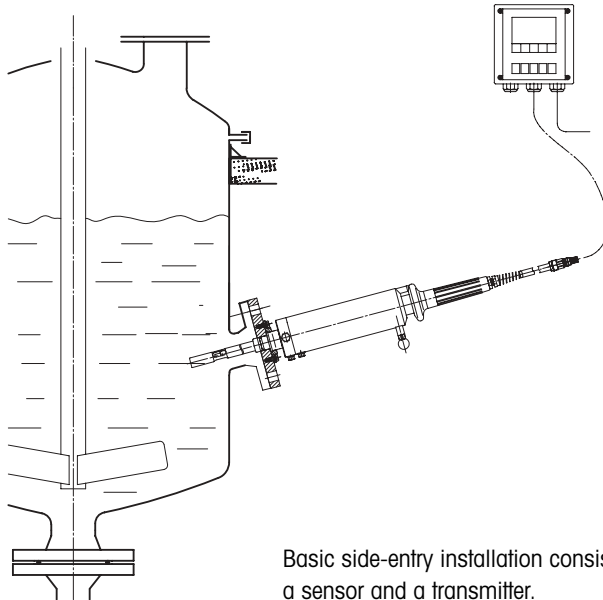
The patented design of the immersion tube H = 100/200 guarantees in any position, safe containment of the process medium during sensor insertion and retraction.



The patented immersion tube comes as standard with all housings with insertion length of 100 mm and 200 mm. Housings with an insertion length of 70 mm do not offer this feature.

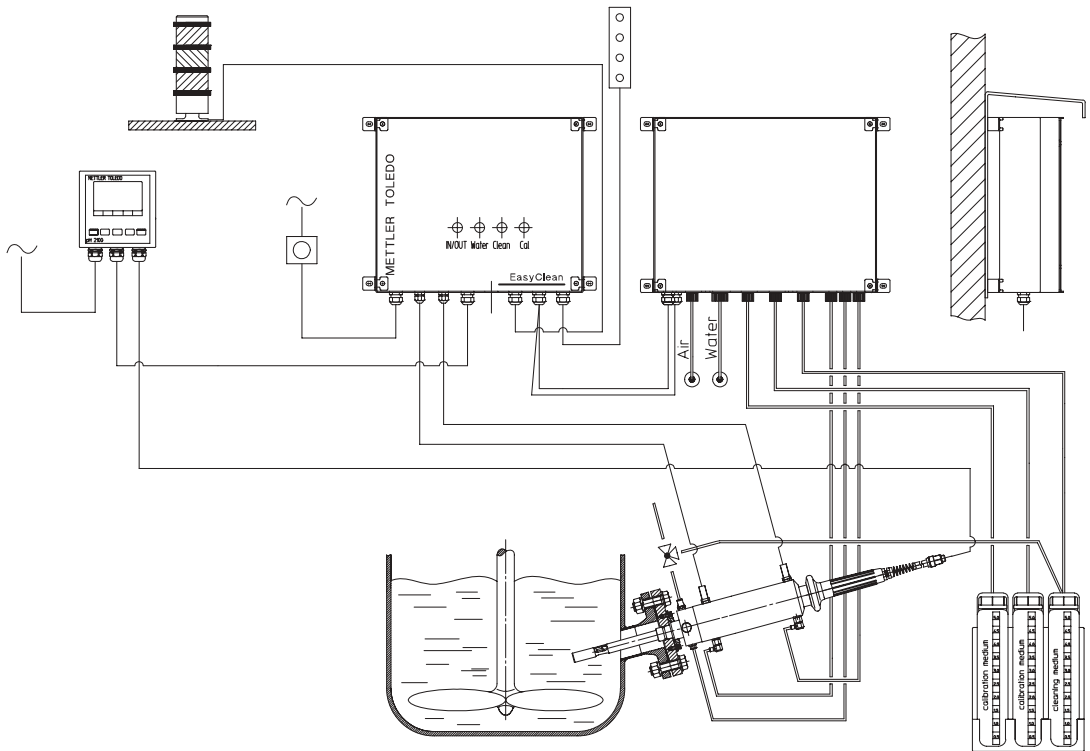
Complete measuring system

Basic measuring system



Basic side-entry installation consisting of an InTrac housing, a sensor and a transmitter.

Measuring system combined with fully automatic EasyClean cleaning and calibration system



In combination with EasyClean cleaning and calibration system you can fully automate your pH measurement. The measuring system consists of an InTrac housing with position indicators, a sensor, a transmitter and the EasyClean cleaning and calibration system. For complete installation in hazardous areas an EasyClean 400X is required in combination with a fully approved housing.

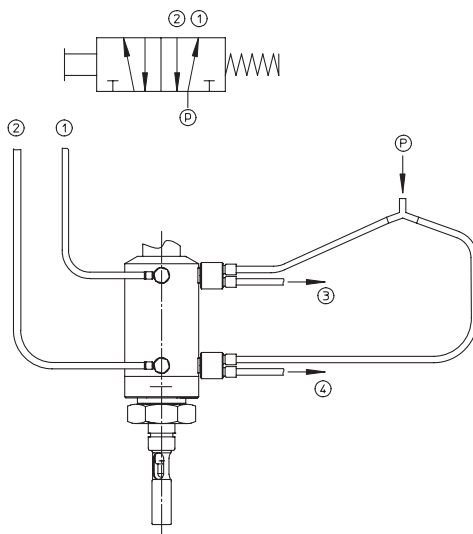
Pneumatic and other connections

Pneumatic connections (continuously adjustable)

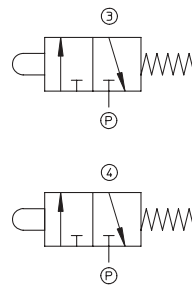
For pneumatic operation of the housing, connections **1** and **2** are to be linked to the air lines **1** and **2** as shown below.

Attention! Only the original fittings supplied with the housing may be used. If the position indicator system is to be used, the two connections **3** and **4** are to be linked to the position indicator valves **3** and **4**.

5/2-way valve



3/2-way valve



- p = Compressed air supply
- 1 = Feed «Measurement»
- 2 = Feed «Maintenance»
- 3 = Position indication «Maintenance»
- 4 = Position indication «Measurement»

The operating pressure of the pneumatic system is 4...8 bars. The control air must be water and oil-free, and filtered (40 µm). The hoses must have a minimum size of 6/4 mm. The speed of the movement can be continuously adjusted.

Note!

If the air pressure can go above 8 bars (also short spikes), the use of a pressure reducer is recommended.

Connections for position indicators:

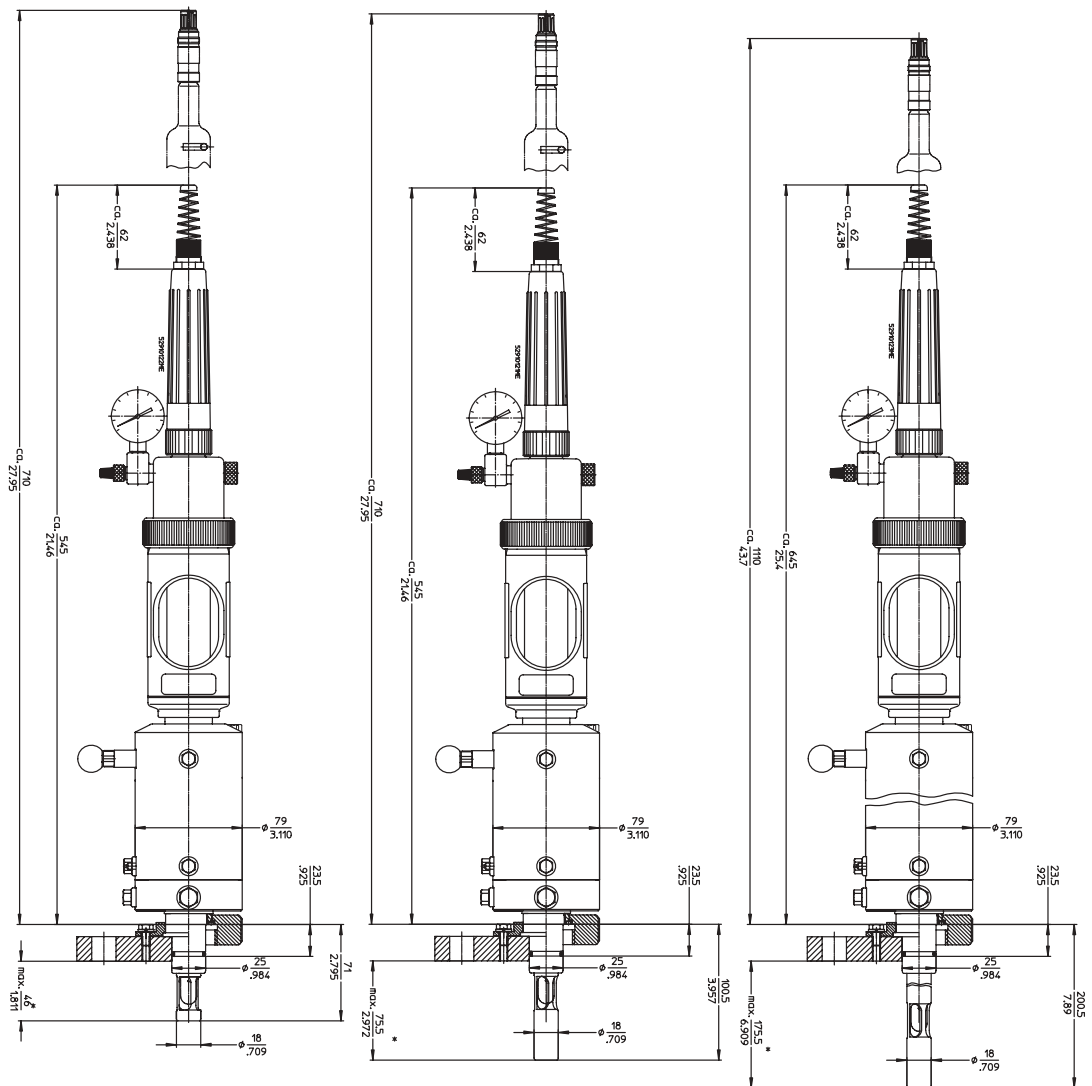


left:
pneumatic 3/2-way position indicator



right:
inductive position indicator (Ex: 2-wire, non-Ex: 3-wire)

The lower connections are for the function «Measurement» the upper connections for «Maintenance».

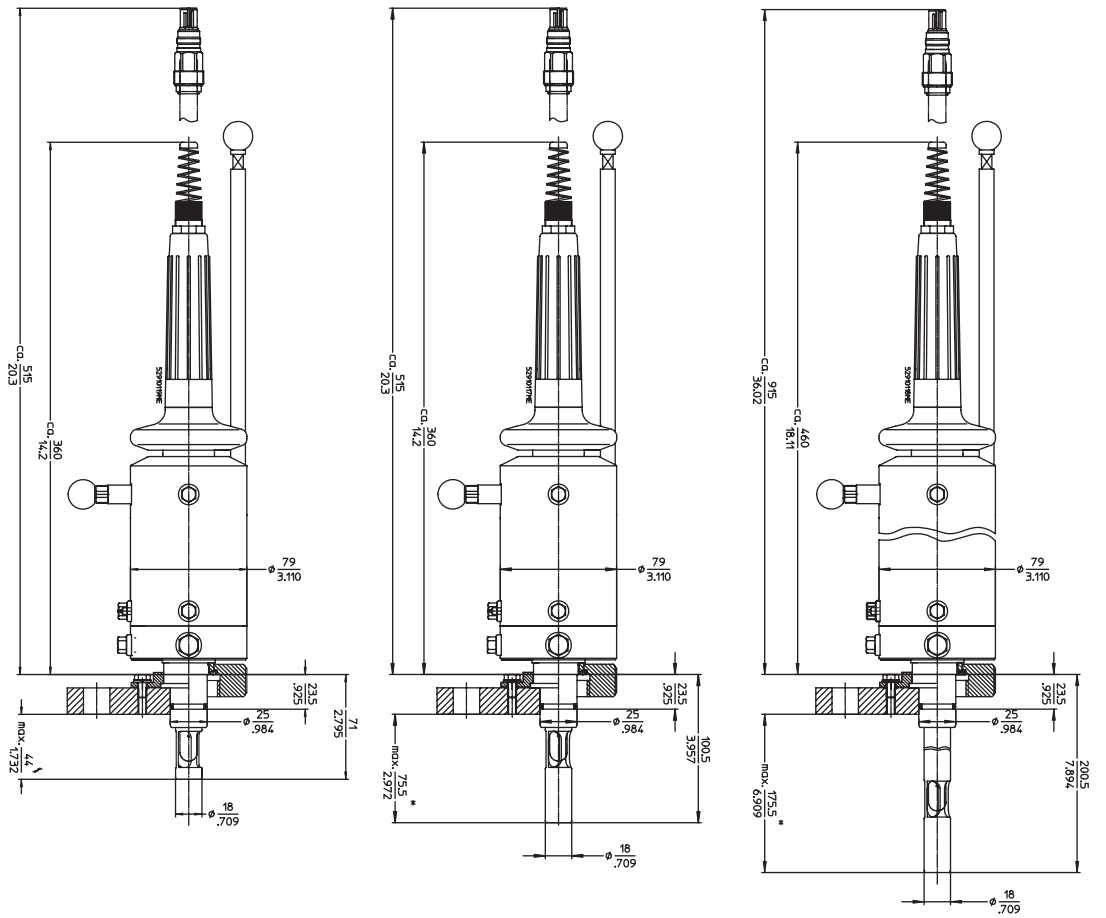


Manually operated InTrac776e with 70 mm (left), 100 mm (middle), and 200 mm (right) insertion length for pH/ORP electrodes with liquid electrolyte.

	Required clearance for installation	Overall length when inserted	Insertion length (DN25 type)	Insertion length (flange type)
InTrac776e/70	710 mm/27.95"	545 mm/21.46"	71 mm/2.78"	max. 46 mm*/1.81"
InTrac776e/100	710 mm/27.95"	545 mm/21.46"	100 mm/3.95"	max. 76 mm*/2.97"
InTrac776e/200	1110 mm/43.7"	645 mm/25.4"	200 mm/7.89"	max. 176 mm*/6.91"

The dimensions may slightly vary depending on the material and the process adaptation.

* Valid for DIN DN50-PN16 standard flange. With larger flanges the insertion length will become shorter.

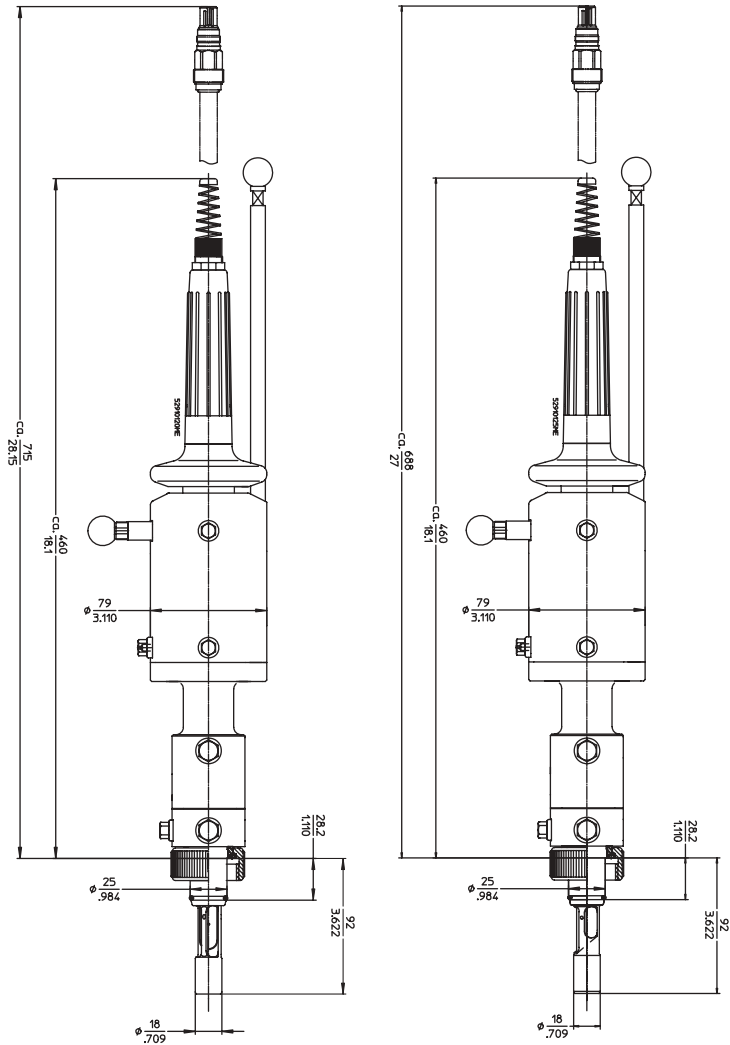


Manually operated InTrac777e with 70 mm (left), 100 mm (middle) and 200 mm (right) insertion length.

	Required clearance for installation	Overall length when inserted	Insertion length (DN25 type)	Insertion length (flange type)
InTrac777e/70	515 mm/20.3"	360 mm/14.2"	71 mm/2.78"	max. 44 mm*/1.73"
InTrac777e/100	515 mm/20.3"	360 mm/14.2"	100 mm/3.95"	max. 76 mm*/2.97"
InTrac777e/200	915 mm/36.0"	460 mm/18.11"	200 mm/7.89"	max. 176 mm*/6.91"

The dimensions may slightly vary depending on the material and the process adaptation.

* Valid for DIN DN50-PN16 standard flange. With larger flanges the insertion length will become shorter.



Manually operated InTrac797 e (left) and InTrac799 e (right).

	Required clearance for installation	Overall length when inserted	Insertion length (DN25 type)
InTrac797 e	715 mm/28.15"	460 mm/18.10"	92 mm/3.62"
InTrac799 e	715 mm/28.15"	460 mm/18.10"	92 mm/3.62"

The dimensions may slightly vary depending on the material and the process adaptation.

Process connections

InTrac housings consist of a standardized construction with variable process connections.

The following table shows the possible adaptations and materials

Material	1.4404/ 316L	2.4602 Alloy C22	Ti	PP	PVDF	PEEK
Process connection	Dimension					
For Ingold						
weld-in socket DN25	DN25	●	b)	b)	●	●
Flange DIN	DN32 PN16	●	a)	a)		
	DN40 PN16	●	a)	a)	●	●
	DN50 PN16	●	a)	a)	●	●
	DN80 PN16	●	a)	a)	●	●
Flange ANSI	A150-1.5"	●	a)	a)	●	●
	A150-2"	●	a)	a)	●	●
	A150-3"	●	a)	a)	●	●
NPT thread	NPT 1"	●	●	●	●	●
	NPT 1 1/4"	●				
	NPT 1 1/2"	●				
Tri-Clamp	TC 1.5"	●				
	TC 2"	●				
Tuchenhagen	Varivent DN50	●				

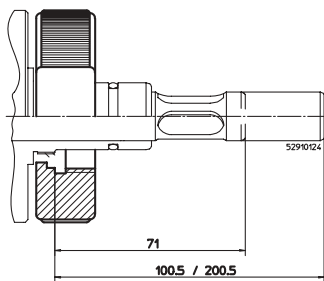
a) Flanges for housings made of DIN 2.4602/AISI Alloy C22 or titanium are supplied in DIN 1.4404/AISI 316L stainless steel together with a fitting plate made of PTFE (wetted part).

b) Cap nut for Ingold sockets are made of DIN 1.4404/AISI 316L stainless steel.

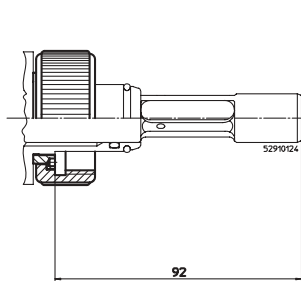
Other process connections on request.

Process connection for DN25 sockets

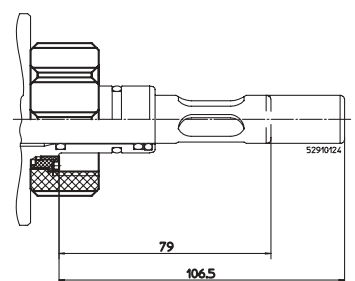
SS-type
for InTrac776e/777e/779e*



SS-type
for InTrac797e/799e*



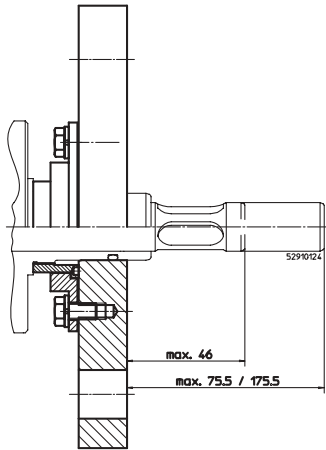
Polymer-type
for InTrac776e/777e



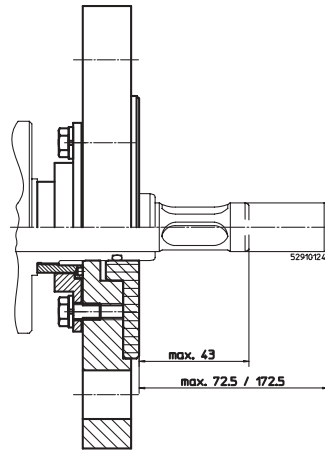
* For housings used with turbidity sensors (InTrac 779e, InTrac 799e) please refer to the drawing page 8 for the different immersion tube.

Process connection through DIN flange

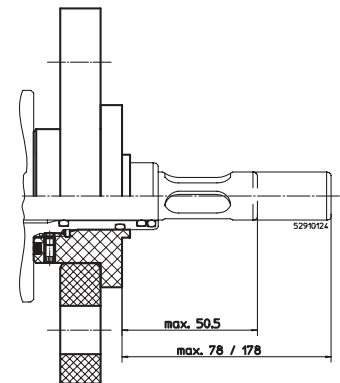
SS-type
for InTrac776e/777e/779e*



Alloy C22/Ti-type
for InTrac776e/777e/779e*

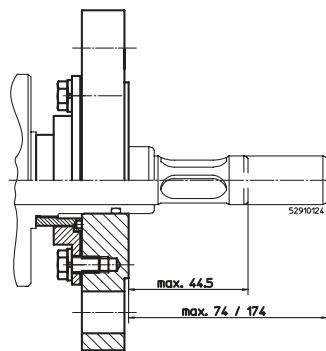


Polymer-type
for InTrac776e/777e

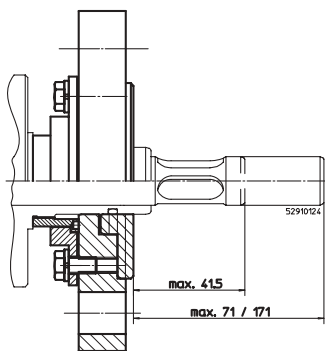


Process connection through ANSI flange

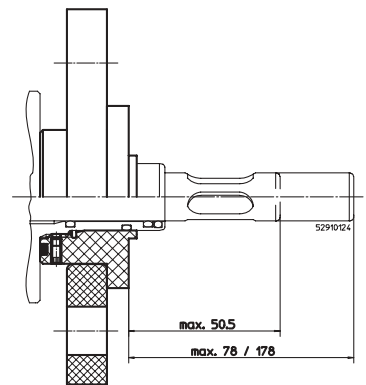
SS-type
for InTrac776e/777e/779e*



Alloy C22/Ti-type
for InTrac776e/777e/779e*



Polymer-type
for InTrac776e/777e



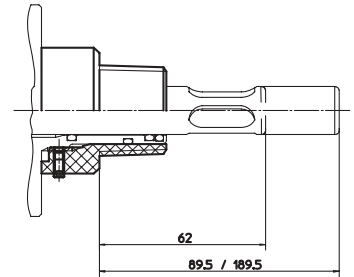
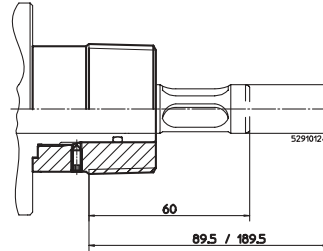
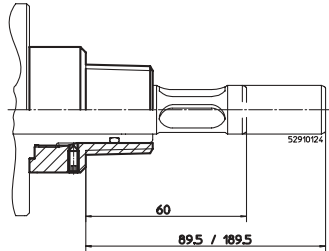
* For housings used with turbidity sensors (InTrac779e, InTrac799e) please refer to the drawing page 8 for the different immersion tube.

Process connection through NPT thread

SS-type NPT 1" / 1 1/4"
for InTrac776e/777e/779e*

SS-type NPT 1 1/2"
for InTrac776e/777e/779e*

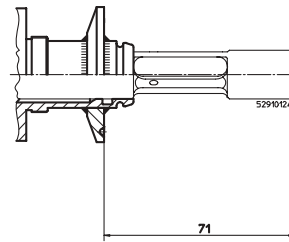
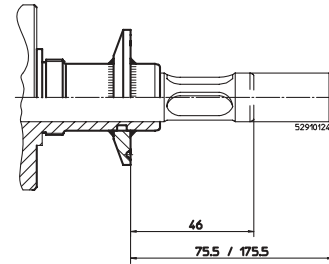
Polymer-type
for InTrac776e/777e



Process connection through Tri-Clamp flange

SS-type
for InTrac776e/777e/779e*

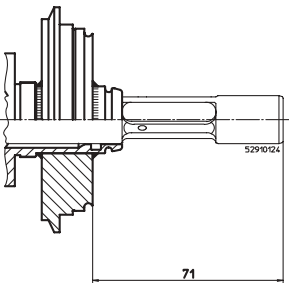
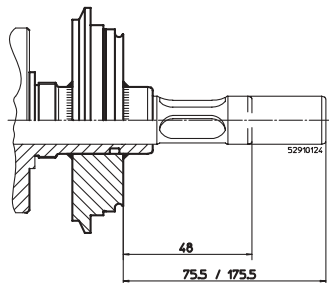
SS-type
for InTrac797e/799e*



Process connection through Tuchenhagen Varivent DN50

SS-type
for InTrac776e/777e/779e*

SS-type
for InTrac797e/799e*



* For housings used with turbidity sensors (InTrac 779e, InTrac 799e) please refer to the drawing page 8 for the different immersion tube.

Technical specifications InTrac776 e

Ambient conditions

Temperature PP-body: 0...70 °C/32...158 °F
SS-body: -10...70 °C/14...158 °F

Process conditions

Functional pressure range manual: 0...5 bar / 0...73 psig
pneumatic: 0...8 bar / 0...116 psig

Max. permissible pressure [PS]/[TS]* (linear decreasing)	PP	6 bar/20 °C	87 psig/68 °F
		0 bar/80 °C	0 psig/176 °F
	PVDF	6 bar/20 °C	87 psig/68 °F
		1 bar/110 °C	15 psig/230 °F
		PEEK	6 bar/20 °C
		1 bar/110 °C	15 psig/230 °F

1.4404/316L/

2.4602/

Alloy C22, Ti 6 bar/130 °C 87 psig/266 °F

Operation

manual or pneumatic

Insertion length

70 mm, 100 mm, 200 mm

Wetted parts

DIN 1.4404/AISI 316L, DIN 2.4602/Alloy C22, titanium
PP, PVDF, PEEK

Wetted O-rings

Viton®-FDA, EPDM-FDA, Kalrez®-FDA

Not wetted parts

body: Polypropylene (PP) conductive or DIN 1.4404/AISI 316L
protective sleeve: Polypropylene (PP) conductive

Weight

approx. 4.5 kg

Outer dimensions

Short version (70/100 mm) length: approx. 545 mm in measuring position
length: approx. 710 mm for electrode removal (minimum)
Long version (200 mm) length: approx. 645 mm in measuring position
length: approx. 1110 mm for electrode removal (minimum)

Pneumatic connections

4...8 bar / 58...116 psig

Air quality to ISO 8573-1

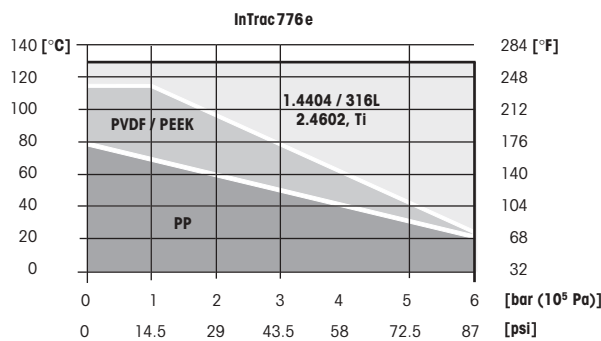
- air moisture content class 4 (dew point +3 °C)
- solids class 5 (filter 40 µm)
- max. oil content class 2 (0.1 mg/m³)
- air connections for hoses 6/4 mm

Flushing connections

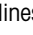
2...6 bar / 29...87 psig
(Water, steam or cleaning solutions) 1x connection IN: thread G 1/8"
1x connection OUT: thread G 1/4"
1x connection TEMP: thread G 1/8"

Position monitoring

pneumatic check-back (3/2 way-valve); G 1/8"
inductive check-back, non-Ex, M12x1
inductive check-back, Ex, M12x1



*Pressure rating according to PED 97/23/EC

Pressure information	According to PED-Article 1, Section 2.2: «Pressure» is referenced to atmospheric pressure, e.g. an overpressure. Accordingly, a pressure in the vacuum region will be expressed as a negative pressure.
Explosion protection <small>(Valid for all housings with medium-wetted parts made of metal)</small>	According to ATEX guidelines (94/9/EG):  II 1/2 GD IIC T6/T5/T4/T3 IP6X T 69 °C/T 81 °C/T 109 °C/T 161 °C SNCH 03 ATEX 3590 X
Certificates/approvals	According to FM guidelines: IS CL I,II,III, Div 1, GR ABCDEFG/T6 Declaration of conformity CE Pressure equipment directive (PED) 97/23/EC Certificate of compliance with the order EN10204-2.1 Inspection certificate 3.1B ATEX (94/9/EC), FM certificate, MaxCert™

Suitable electrodes

Insertion length	Length of electrode
H = 70/100 mm	250 mm
H = 200 mm	450 mm
pH electrodes	InPro2000
	465-50
ORP electrodes	Pt4865-50

Technical specifications InTrac77Xe/79Xe

Ambient conditions

Temperature PP-body: 0...70 °C / 32...158 °F
SS-body: -10...70 °C / 14...158 °F

Ambient conditions

Functional pressure range manual: 0...5 bar / 0...73 psig
pneumatic: 0...8 bar / 0...116 psig

Max. permissible pressure [PS]/[TS]* (linear decreasing)	PP	6 bar/20 °C	87 psig/68 °F
		0 bar/80 °C	0 psig/176 °F
	PVDF	6 bar/20 °C	87 psig/68 °F
		1 bar/110 °C	15 psig/230 °F
	PEEK	6 bar/20 °C	87 psig/68 °F
		1 bar/110 °C	15 psig/230 °F

1.4404/316L

2.4602/

Alloy C22, Ti 16 bar/140 °C 232 psig/284 °F

Operation

manual or pneumatic

Insertion length

InTrac77Xe: 70 mm/100 mm/200 mm
InTrac79Xe: 100 mm

Wetted parts

InTrac77Xe: DIN 1.4404/AISI 316L, DIN 2.4602/AISI Alloy C22, titanium, PP, PVDF, PEEK

InTrac79Xe: DIN 1.4404/AISI 316L

Wetted O-rings

Viton®-FDA, EPDM-FDA, Kalrez®-FDA

Non-wetted parts

body: Polypropylene (PP) conductive or DIN 1.4404/AISI 316L
protective sleeve: Polypropylene (PP) conductive

Weight

approx 4.5 kg

Outer dimensions

Short version 77Xe (70/100 mm) length: approx. 360 mm in measuring position
length: approx. 515 mm for electrode removal (minimum)

Long version 77Xe (200 mm) length: approx. 460 mm in measuring position
length: approx. 915 mm for electrode removal (minimum)

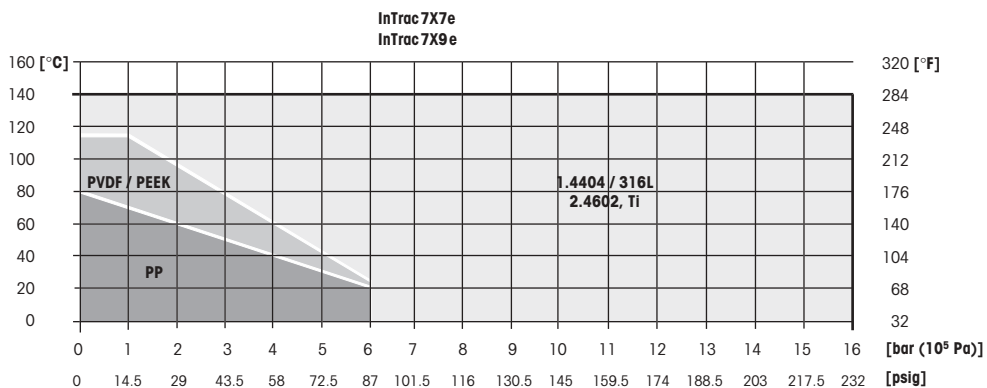
Version 79Xe (100 mm) length: approx. 460 mm in measuring position
length: approx. 715 mm for electrode removal (minimum)

Pneumatic connections

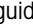
4...8 bar / 58...116 psig

Air quality to ISO 8573-1

- air moisture content class 4 (dew point +3°C)
- solids class 5 (filter 40 µm)
- max. oil content class 2 (0.1 mg/m³)
- air connections for hoses 6/4 mm



*pressure rating according to PED 97/23/EC

Flushing connections	
InTrac77Xe (Water, cleaning solutions)	2...6 bar / 29...87 psig 1 x connection IN: thread G 1/8" 1 x connection OUT: thread G 1/4" 1 x connection TEMP: thread G 1/8"
InTrac79Xe (Water, cleaning solutions, steam)	2...6 bar / 29...87 psig 5 x connections: thread G 1/8"
Position monitoring	
	pneumatic check-back (3/2 way-valve); G 1/8" inductive check-back, non-Ex, M12 x 1 inductive check-back, Ex, M12 x 1
Pressure information	
	According to PED-Article 1, Section 2.2: «Pressure» is referenced to atmospheric pressure, e.g. an overpressure. Accordingly, a pressure in the vacuum region will be expressed as a negative pressure.
Explosion protection	
(Valid for all housings with medium-wetted parts made of metal)	According to ATEX guidelines (94/9/EG):  II 1/2 GD IIC T6/T5/T4/T3 IP6X T 69 °C/T 81 °C/T 109 °C/T 161 °C SNCH O3 ATEX 3590 X According to FM guidelines: IS CL I,II,III, Div 1, GR ABCDEFG/T6
Certificates/approvals	
	Declaration of conformity CE Pressure equipment directive (PED) 97/23/EC Certificate of compliance with the order EN10204-2.1 Inspection certificate 3.1B ATEX (94/9/EC), FM certificate, MaxCert™

Suitable electrodes/sensors

InTrac777 e

Insertion length	Length of sensor/electrode
H = 70/100 mm	220 mm or 225 mm
H = 200 mm	420 mm or 425 mm
pH	InPro3200, InPro4250, InPro4800
ORP	Pt4805
Dissolved oxygen	InPro6800/InPro6900 (220 mm only)
Conductivity	InPro7001-VP (225 mm only)

InTrac779 e

Insertion length	Length of sensor
H = 70/100 mm	205 mm
H = 200 mm	407 mm
Turbidity	InPro8100, InPro8200

InTrac797 e

Insertion length	Length of sensor/electrode
H = 100 mm	320 mm or 325 mm
pH	InPro3030, InPro3100, InPro3300
ORP	Pt4805
CO ₂	InPro5000
Dissolved oxygen	InPro6800/InPro6900 (320 mm only)

InTrac799 e

Insertion length	Length of sensor
H = 100 mm	297 mm
Turbidity	InPro8100, InPro8200

Product structure InTrac776e/777e/779e

Flushing chamber									
7	single flushing chamber								
Electrode/sensor type									
6	pH electrodes with liquid electrolyte								
7	pH electrodes with gel-/polymer electrolyte and sensors with Pg 13.5 thread								
9	turbidity sensors								
Operation mode									
M	manual operation								
P	pneumatic operation								
R	pneumatic operation with pneumatic position indication								
I	pneumatic operation with inductive position indication non-Ex								
X	pneumatic operation with inductive position indication Ex								
Insertion length (H)									
0	7	0	H = 70 mm						
1	0	0	H = 100 mm						
2	0	0	H = 200 mm						
Material									
4	4	0	4	DIN 1.4404/AISI 316L					
C	2	2	-	DIN 2.4602/AISI Alloy C22					
T	i	-	-	Titanium					
P	P	-	-	Polypropylene					
P	V	D	F	Polyvinylidenfluoride					
P	E	E	K	Polyetheretherketone					
Process connections									
D	0	0	Ingold DN25 weld-in socket						
D	0	2	Flange DN32 PN16 (SS-version only)						
D	0	3	Flange DN40 PN16						
D	0	4	Flange DN50 PN16						
D	0	6	Flange DN80 PN16						
A	0	2	ANSI flange A150-1.5"						
A	0	3	ANSI flange A150-2"						
A	0	4	ANSI flange A150-3"						
N	0	1	NPT thread 1"						
N	0	2	NPT thread 1 1/4"						
N	0	3	NPT thread 1 1/2"						
T	0	1	Tri-Clamp 1.5"						
T	0	2	Tri-Clamp 2"						
V	0	1	Varivent DN50						
O-ring material									
V	i	Viton®-FDA							
E	P	EPDM-FDA							
K	a	Kalrez®-FDA							
Body material									
A	PP conductive								
S	DIN 1.4404/AISI 316L								
Flushing connections									
0	without								
1	Serto ss								
2	PVC								
3	PVDF								
4	Gyralok ss								
5	Swagelok ss								
Specials									
0	None								
1	Special								

InTrac 7 / / / / / /

8 9 10 11 12 13 14 15 16 17 18 19 20 21 22 23 24 25 26 27 28 29 30

- Housings made of Alloy C22 or titanium are supplied with Kalrez® O-rings as a standard
- Housings made of Alloy C22 or titanium are supplied with cap nut made of stainless steel as standard. Flanges are also made of stainless steel and supplied with a sealing plate made of PTFE.
- Varivent and Tri-Clamp flanges are available in stainless steel only.

Product structure InTrac797 e/799 e

Flushing chamber																													
9 double flushing chamber																													
Electrode/sensor type																													
7 pH electrodes with gel-/polymer electrolyte and sensors with Pg 13.5 thread																													
9 turbidity sensors																													
Operation mode																													
M manual operation																													
P pneumatic operation																													
R pneumatic operation with pneumatic position indication																													
I pneumatic operation with inductive position indication non-Ex																													
X pneumatic operation with inductive position indication Ex																													
Insertion length (H)																													
1 0 0 H = 100 mm																													
Material																													
4 4 0 4 DIN 1.4404/AISI 316L																													
Process connections																													
D 0 0 Ingold DN25 weld-in socket																													
T 0 1 Tri-Clamp 1.5"																													
T 0 2 Tri-Clamp 2"																													
V 0 1 Varivent DN50																													
O-ring material																													
V i Viton®-FDA																													
E P EPDM-FDA																													
K a Kalrez®-FDA																													
Body material																													
A PP conductive																													
S DIN 1.4404/AISI 316L																													
Flushing connections																													
0 without																													
1 Serto ss																													
4 Gyrolok ss																													
5 Swagelok ss																													
Specials																													
0 None																													
1 Special																													
InTrac 7 9 / 1 0 0 / 4 4 0 4 / / /																													
8	9	10	11	12	13	14	15	16	17	18	19	20	21	22	23	24	25	26	27	28	29	30							

Housings with double flushing chamber are only available with DN25, Tri-Clamp or Varivent process connections.

InTrac776 e	Designation	Order no.
	InTrac776M/070/4404/D00/Vi/A00	52 403 220
	InTrac776M/100/4404/D00/Vi/A00	52 403 221
	InTrac776M/200/4404/D00/Vi/A00	52 403 222
	InTrac776P/070/4404/D00/Vi/A00	52 403 223
	InTrac776P/100/4404/D00/Vi/A00	52 403 224
	InTrac776P/200/4404/D00/Vi/A00	52 403 225
	InTrac776M/070/PVDF/D00/Vi/A00	52 403 226
	InTrac776M/100/PVDF/D00/Vi/A00	52 403 227
	InTrac776P/070/PVDF/D00/Vi/A00	52 403 228
	InTrac776P/100/PVDF/D00/Vi/A00	52 403 229
	InTrac776R/100/4404/D00/Vi/A00	52 403 230
	InTrac776I/100/4404/D00/Vi/A00	52 403 231
	InTrac776M/070/4404/D00/Ka/A00	52 403 232
InTrac777 e		
	InTrac777M/070/4404/D00/Vi/A00	52 403 205
	InTrac777M/100/4404/D00/Vi/A00	52 403 206
	InTrac777M/200/4404/D00/Vi/A00	52 403 207
	InTrac777P/070/4404/D00/Vi/A00	52 403 208
	InTrac777P/100/4404/D00/Vi/A00	52 403 209
	InTrac777P/200/4404/D00/Vi/A00	52 403 210
	InTrac777M/070/PVDF/D00/Vi/A00	52 403 211
	InTrac777M/100/PVDF/D00/Vi/A00	52 403 212
	InTrac777P/070/PVDF/D00/Vi/A00	52 403 213
	InTrac777P/100/PVDF/D00/Vi/A00	52 403 214
	InTrac777R/100/4404/D00/Vi/A00	52 403 215
	InTrac777I/100/4404/D00/Vi/A00	52 403 216
	InTrac777M/070/4404/N01/Vi/A00	52 403 217
	InTrac777M/100/4404/N01/Vi/A00	52 403 218
	InTrac777M/200/4404/N01/Vi/A00	52 403 219
InTrac779 e		
	InTrac779M/070/4404/D00/Vi/A00	52 403 236
InTrac797 e		
	InTrac797M/100/4404/D00/Vi/A00	52 403 233
	InTrac797P/100/4404/D00/Vi/A00	52 403 235
	InTrac797M/100/4404/768/Vi/A00*	52 403 234
InTrac799 e		
	InTrac799M/100/4404/D00/Vi/A00	52 403 237

* with 768 adapter

All other configurations can be ordered according to the product key from pages 16 and 17.

Accessories	Designation	Order no.
	Pt100-764/5 m	10 1003 104IG
	Pt1000-764/5 m	10 1003 116IG
	3/2-way reversion valve set (2 pcs), pneumatic	52 401 324
	Inductive check-back, non-Ex (2 pcs)	52 402 398
	Inductive check-back, Ex (2 pcs)	52 402 399
	Fitting Set SERTO	52 400 842
	Fitting Set SWAGELOK	52 400 843
	Fitting Set GYROLOK	52 400 844
	Fitting Set PVDF	52 400 768
	Fitting Set PVC	52 400 769
	pneumatic connection (throttle valve 1 pc*)	20 102 1049
	Positive position rod, long 7XXe	52 403 121
	* 2 pcs required per housing	

Spare parts		
	O-ring set Viton®-FDA	52 403 172
	O-ring set Kalrez®-FDA	52 403 173
	O-ring set EPDM-FDA	52 403 174
	Set cable grommet 5 mm/7 mm	52 403 463

Additional accessories		
	Weld-in sockets	
	Weld-in socket L=40/DN25/inclined	00 764 1014
	Weld-in socket L=44/DN25/inclined	00 764 1302
	Weld-in socket L=48/DN25/inclined	00 764 1015
	Weld-in socket L=55/DN25/inclined	00 764 1016
	Weld-in socket L=40/DN25/straight	00 764 1017
	Weld-in socket L=50/DN25/straight	00 764 1018
	Weld-in socket L=60/DN25/straight	00 764 1019
	Blind plugs	
	Blind plug DN25 L=40/inclined	00 764 2002
	Blind plug DN25 L=40/straight	00 764 2026
	Flow-through chambers	
	Flow-through chamber PVDF/DN40 for H=70/100 mm	52 400 764
	Flow-through chamber PVC/DN40 for H=70/100 mm	52 400 765
	Flow-through chamber ss 1.4408 for H=70 mm	00 764 2165

For further accessories please contact your local METTLER TOLEDO representative.

Together with housings and electrodes/sensors METTLER TOLEDO offers a wide range of transmitters and EasyClean automated cleaning and calibration systems. Highly automated and application-specific measuring systems to meet your needs can be provided. For further information see www.mt.com

Additional documentation		
	Instruction manual InTrac Series (G/E/F)	52 403 124

Sales and Service:

Australia

Mettler-Toledo Ltd.
220 Turner Street
Port Melbourne
AUS-3207 Victoria
Phone +61 31300 659 761
Fax +61 3 9645 3935
e-mail mtausprocess@mt.com

Austria

Mettler-Toledo GmbH
Südrandstrasse 17
AT-1230 Wien
Phone +43 1 604 19 80
Fax +43 1 604 28 80
e-mail infoprocess.mtat@mt.com

Brazil

Mettler-Toledo Ind. e Com. Ltda.
Alameda Araguaia
451 - Alphaville
BR-06455-000 Barueri/SP
Phone +55 11 4166 74 00
Fax +55 11 4166 74 01
e-mail sales@mettler.com.br
service@mettler.com.br

China

Mettler-Toledo Instruments
(Shanghai) Co. Ltd.
589 Gui Ping Road
Cao He Jing
CN-200233 Shanghai
Phone +86 21 64 85 04 35
Fax +86 21 64 85 33 51
e-mail mtfcs@public.sta.net.cn

Croatia

Mettler-Toledo d.o.o.
Mandlova 3
HR-10000 Zagreb
Phone +385 1 292 06 33
Fax +385 1 295 81 40
e-mail mt-zagreb@mt.com

Czech Republic

Mettler-Toledo spol.s.r.o.
Třebostická 2283/2
CZ-100 00 Praha 10
Phone +420 2 72 123 150
Fax +420 2 72 123 170
e-mail sales.mtcz@mt.com

Denmark

Mettler-Toledo A/S
Naverland 8
DK-2600 Glostrup
Phone +45 43 27 08 00
Fax +45 43 27 08 28
e-mail info.mtdk@mt.com

France

Mettler-Toledo
Analyse Industrielle Sarl
30, Boulevard de Douaumont
BP 949
F-75829 Paris Cedex 17
Phone +33 1 47 37 06 00
Fax +33 1 47 37 46 26
e-mail mtpro-f@mt.com

Germany

Mettler-Toledo GmbH
Prozeßanalytik
Ockerweg 3
D-35396 Gießen
Phone +49 641 507 333
Fax +49 641 507 397
e-mail prozess@mt.com

Great Britain

Mettler-Toledo LTD
64 Boston Road, Beaumont Leys
GB-LE4 1AW Leicester
Phone +44 116 235 7070
Fax +44 116 236 5500
e-mail enquire.mtuk@mt.com

Hungary

Mettler-Toledo Kereskedelmi KFT
Teve u. 41
HU-1139 Budapest
Phone +36 1 288 40 40
Fax +36 1 288 40 50
e-mail mthu@axelero.hu

India

Mettler-Toledo India Private Limited
Amar Hill, Saki Vihar Road
Powai
IN-400 072 Mumbai
Phone +91 22 2857 0808
Fax +91 22 2857 5071
e-mail sales.mtin@mt.com

Italy

Mettler-Toledo S.p.A.
Via Vialba 42
I-20026 Novate Milanese
Phone +39 02 333 321
Fax +39 02 356 2973
e-mail
customercare.italia@mt.com

Japan

Mettler-Toledo K.K.
Process Division
5F Tokyo Ryutsu Center, Annex B
6-1-1 Heiwajima, Ohta-ku
JP-143-0006 Tokyo
Phone +81 3 5762 07 06
Fax +81 3 5762 09 71
e-mail helpdesk.ing.jp@mt.com

Malaysia

Mettler-Toledo (M) Sdn Bhd
Bangunan Electrocon Holding
Lot 8 Jalan Astaka U8/84
Seksyen U8, Bukit Jelutong
MY-40150 Shah Alam Selangor
Malaysia
Phone +60 3 78 45 57 73
Fax +60 3 78 45 87 73
e-mail ahmad.rashidi@mt.com

Mexico

Mettler-Toledo S.A. de C.V.
Pino No. 350, Col. Sta.
MA. Insurgentes, Col Atlampa
MX-06450 México D.F.
Phone +52 55 55 47 57 00
Fax +52 55 55 41 22 28
e-mail mario.roca@mt.com

Poland

Mettler-Toledo (Poland) Sp.z.o.o.
ul. Poleczki 21
PL-02-822 Warszawa
Phone +48 22 545 06 80
Fax +48 22 545 06 88
e-mail polska@mt.com

Russia

Mettler-Toledo Vostok ZAO
Sretenskij Bulvar 6/1
Office 6
RU-101000 Moscow
Phone +7 095 921 92 11
Fax +7 095 921 63 53
+7 095 921 78 68
e-mail inforus@mt.com

Singapore

Mettler-Toledo (S) Pte. Ltd.
Block 28
Ayer Rajah Crescent #05-01
SG-139959 Singapore
Phone +65 6890 00 11
Fax +65 6890 00 12
+65 6890 00 13
e-mail ashley.kong@mt.com

Slovakia

Mettler-Toledo s.r.o.
Bulharska 61
SK-82104 Bratislava
Phone +421 243 42 74 96
Fax +421 243 33 71 90
e-mail predaj@mt.com

Slovenia

Mettler-Toledo d.o.o.
Peske 12
SI-1236 Trzin
Phone +386 1 530 80 50
Fax +386 1 562 17 89
e-mail cipot@mtslo.mt.com
racman@mettler-toledo.si

South Korea

Mettler-Toledo (Korea) Ltd.
Yeil Building 1 & 2 F
124-5, YangJe-Dong
SeCho-Ku
KR-137-130 Seoul
Phone +82 2 3498 3500
Fax +82 2 3498 3556
e-mail Sales_MTKR@mt.com

Spain

Mettler-Toledo S.A.E.
C/ Miguel Hernández, 69-71
ES-08908 L'Hospitalet de Llobregat
(Barcelona)
Phone +34 93 223 76 00
Fax +34 93 223 76 01
e-mail bcn.centralita@mt.com

Sweden

Mettler-Toledo AB
Virkesvägen 10
Box 92161
SE-12008 Stockholm
Phone +46 8 702 50 00
Fax +46 8 642 45 62
e-mail sales.mts@mt.com

Switzerland

Mettler-Toledo (Schweiz) AG
Im Langacher
Postfach
CH-8606 Greifensee
Phone +41 44 944 45 45
Fax +41 44 944 45 10
e-mail info.ch@mt.com
info.ola.ch@mt.com

Thailand

Mettler-Toledo (Thailand) Ltd.
272 Soi Soonvijai 4
Rama 9 Rd., Bangkok
Huay Kwang
TH-10320 Bangkok
Phone +66 2 723 03 00
Fax +66 2 719 64 79
e-mail mettler@samart.co.th

USA/Canada

Mettler-Toledo Ingold, Inc.
36 Middlesex Turnpike
Bedford, MA 01730, USA
Phone +1 781 301 8800
Toll free +1 800 352 8763
Fax +1 781 271 0681
e-mail mtpro@mt.com
ingold@mt.com



Management System
certified according to
ISO 9001 / ISO 14001

Subject to technical changes.
© Mettler-Toledo GmbH, Process Analytics
01/06 Printed in Switzerland. 52 403 126

Mettler-Toledo GmbH, Process Analytics
Industrie Nord, CH-8902 Urdorf
Tel. +41 44 729 62 11, Fax +41 44 729 66 36

www.mtpro.com